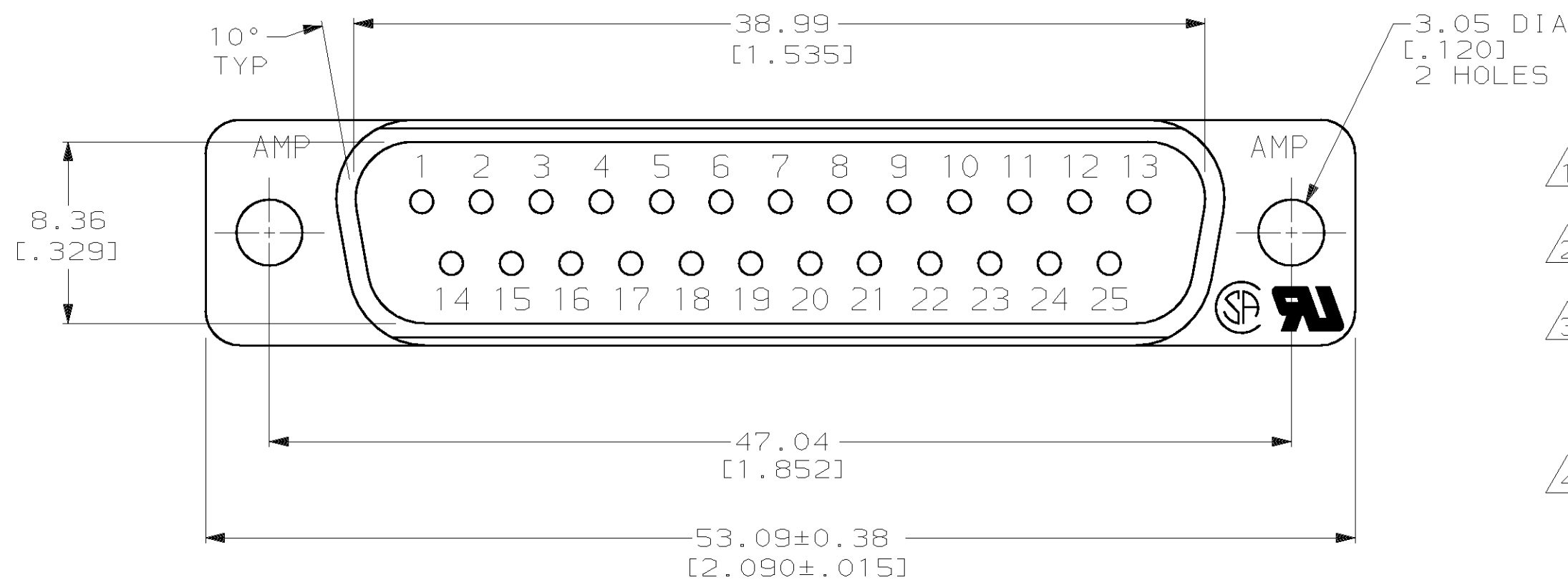
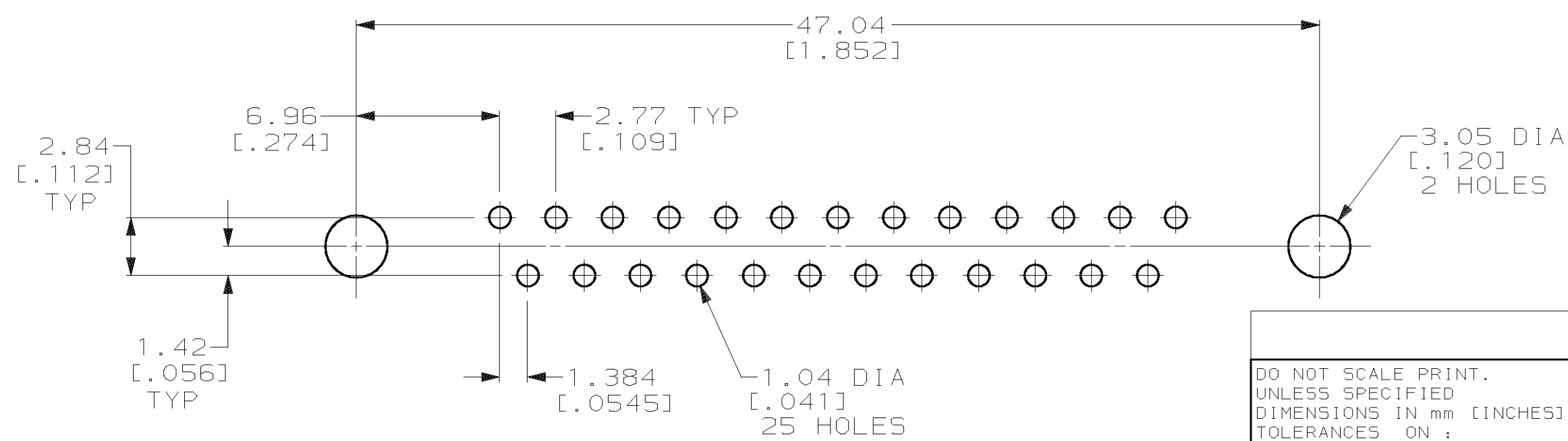
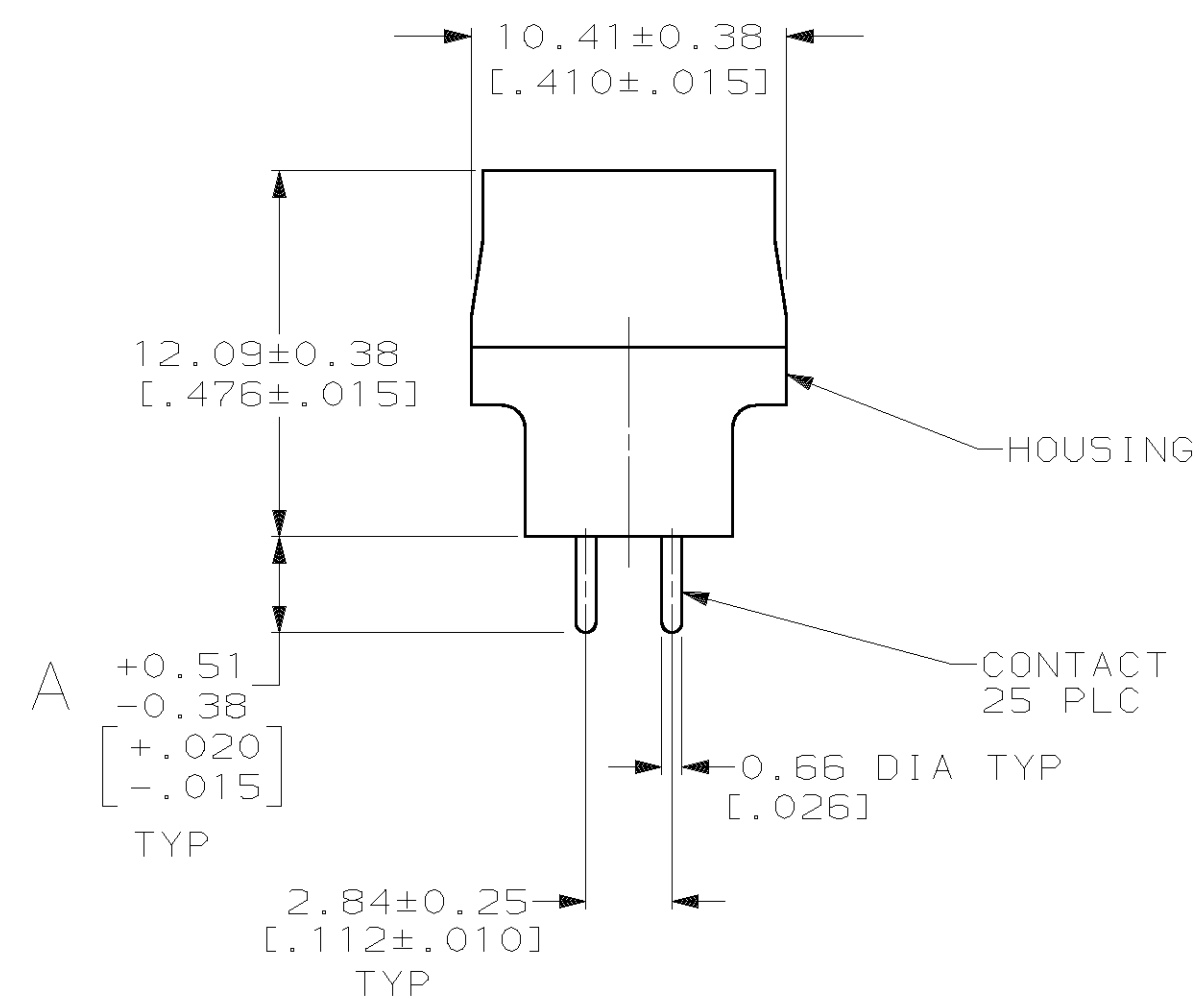
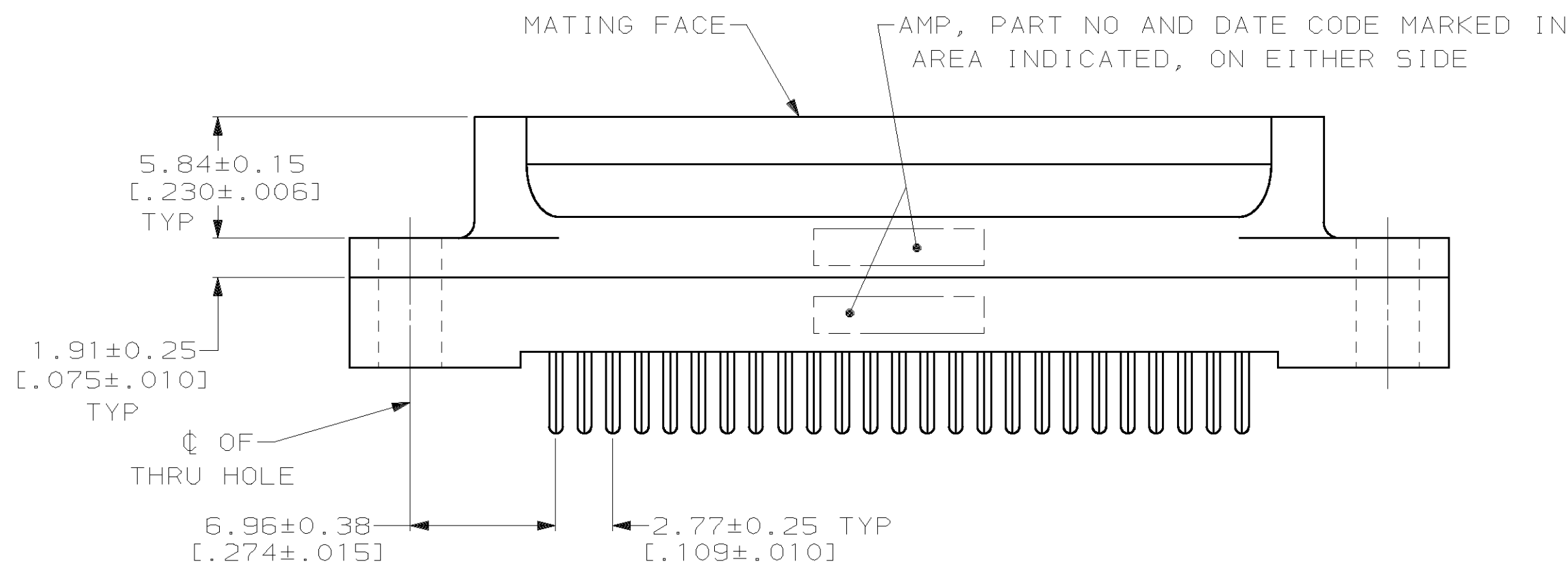


THIS DRAWING IS UNPUBLISHED. RELEASED FOR PUBLICATION .19 .
 © COPYRIGHT 19 BY AMP INCORPORATED. ALL INTERNATIONAL RIGHTS RESERVED.

LOC	DIST	P	F	ZONE	LTR	DESCRIPTION	DATE	APPD
GP	00							
						D REDRAWN & REVISED, ECN BD3361	11-89	SS
						E OBS 208008-5 BD6038	06/10/92	CR
						F SUPSD-3 & OBS-6 PER EC 0020-964-93	04/11/94	CR
						G REV PER EC 0640-421-98	17 MAR 99	RT
						H REV PER EC OUE0-0002-01	09 JAN 02	JR



- ① HOUSING: BLACK POLYESTER, UL 94V-0 RATED; CONTACT: BRASS PER MIL-C-50.
- ② GOLD PLATING PER MIL-G-45204, TIN PLATING PER MIL-T-10727, NICKEL PLATING PER QQ-N-290.
- ③ GOLD PLATED FOR A LENGTH OF 3.81 [.150] MIN FROM MATING END, GOLD FLASH IN MATED AREA, 2.54µm [.000100] MIN TIN OR TIN-LEAD FOR A LENGTH OF DIMENSION A FROM OPPOSITE END, ALL OVER 1.27µm [.000050] MIN NICKEL.
- ④ GOLD PLATED FOR A LENGTH OF 3.81 [.150] FROM MATING END, 0.76µm [.000030] MIN GOLD IN MATED AREA, 2.54µm [.000100] MIN TIN OR TIN-LEAD FOR A LENGTH OF DIMENSION A FROM OPPOSITE END, ALL OVER 1.27µm [.000050] MIN NICKEL.



	A	CONTACT FINISH	PART NO
OBSELETE	6.35 [.250]	④	208008-6
OBSELETE	6.35 [.250]	③	208008-5
OBSELETE	4.32 [.170]	④	208008-4
SUPERSEDED BY 208008-4	4.32 [.170]	③	208008-3
	3.18 [.125]	④	208008-2
	3.18 [.125]	③	208008-1

DO NOT SCALE PRINT. UNLESS SPECIFIED DIMENSIONS IN mm [INCHES] TOLERANCES ON : 2 PLC DEC ± 0.13 [.005] 3 PLC DEC ± - ANGLES ± 2°		DR 11-14-89 J McCLINTON	
MATERIAL		CHK 2-1-90 R.STONE	
FINISH ②		APPD 2-2-90 S.SCHIEFERLY	
CONTACT: SEE TABLE		APPD 2-2-90 C.ROHDE	
		PRODUCT SPEC 108-40025	
		APPLICATION SPEC -	
		WEIGHT -	
		SIZE C	CAGE CODE 00779
		DRAWING NO 208008	
		SCALE 4:1	SHEET 1 OF 1

RECOMMENDED PC BOARD MOUNTING DIMENSIONS

AMP AMP INCORPORATED
Harrisburg, Pa. 17105

NAME
PLUG ASSEMBLY, SIZE 3,
25 POSN, VERTICAL,
AMPLIMITE® HD-20