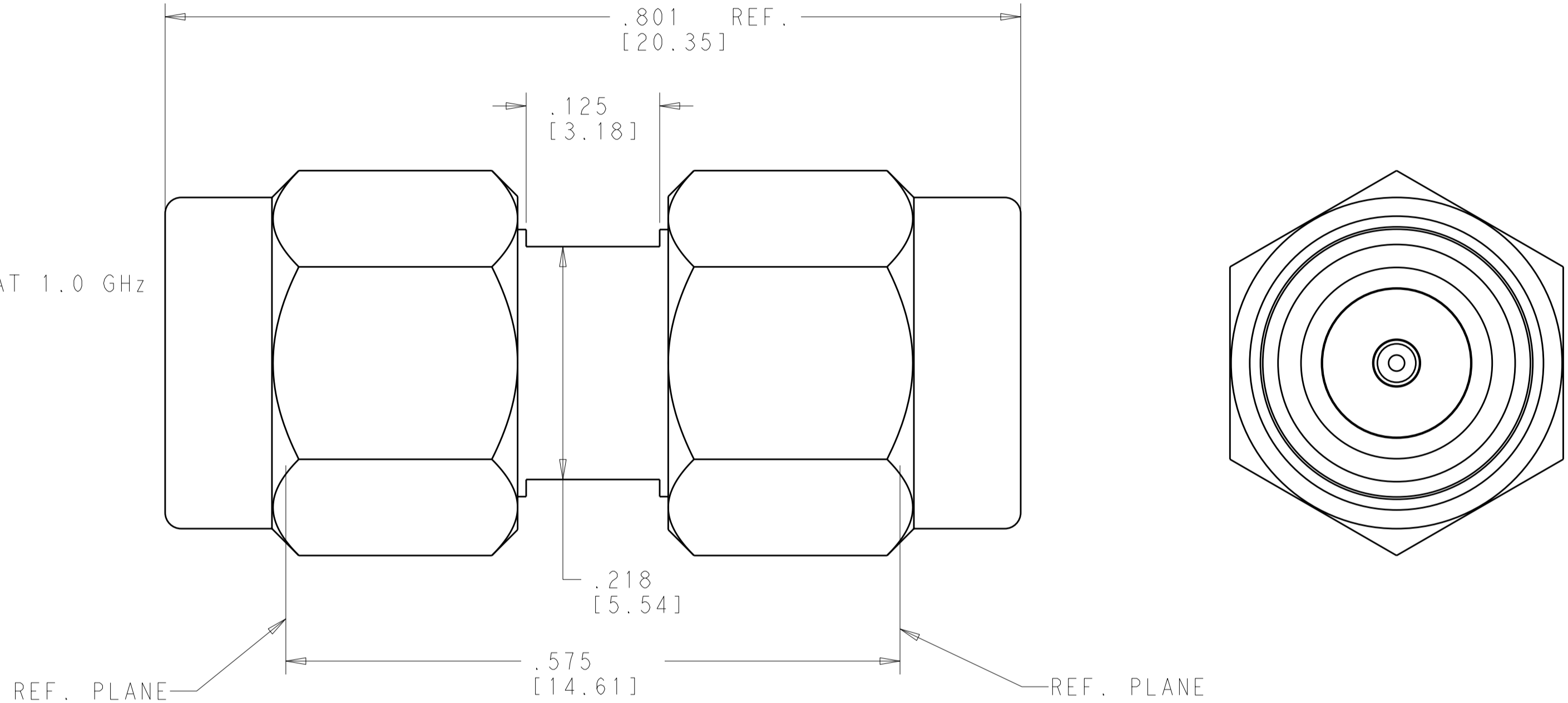


THIS DRAWING IS UNPUBLISHED. RELEASED FOR PUBLICATION 20
 © COPYRIGHT 20 BY TYCO ELECTRONICS CORPORATION. ALL INTERNATIONAL RIGHTS RESERVED.

COMPONENT	MATERIAL	FINISH
HOUSING COUPLING NUT	STAINLESS STEEL PER ASTM-A-484 OR ASTM-A-582 TYPE 303	GOLD PLATED PER ASTM-B-488
DIELECTRIC	PTFE FLUORCARBON PER ASTM-D-1457	NONE
CENTER CONTACT	BERYLLIUM COPPER PER ASTM-B-196 OR 197 ALLOY C17300, COND H	GOLD PLATED PER ASTM-B-488
RETAINING RING	BERYLLIUM COPPER PER ASTM-B-194	NONE
GASKET	SILICONE RUBBER PER ZZ-R-765	NONE

LOC	DIST	REVISIONS				
P	LTR	DESCRIPTION	DATE	DWN	APVD	
-	-	A	RELEASED PER ECO-11-003270	17FEB2011	RJM3	DHW

1. ABSOLUTE INSERTION PHASE $21^{\circ} \pm 0.5^{\circ}$ AT 1.0 GHz AND A TEMPERATURE OF $+25^{\circ}\text{C}$



ELECTRICAL	MECHANICAL	ENVIRONMENTAL
NOM. IMPEDANCE (OHMS) 50 ± 1	Interface Dimensions MIL-STD-348A FIG. 310.1	TEMP. RATING -65° TO $+165^{\circ}\text{C}$
Freq. Range (GHz) DC to 3.0	Mating Characteristics:	Vibration MIL-STD-202, Method 204, Condition D
Volt Rating (VRMS MAX) @ Sea Level 335	Insertion (MAX Lbs) 3	Shock MIL-STD-202, Method 213 Condition 1
VSWR $1.08 + .005f(\text{GHz})$ DC to 3 GHz	Withdrawal (MIN Oz) 1	
Insertion Loss (db Max) $.06x \text{SQRT.}f(\text{GHz})$	Force to Engage (In-Lbs MAX) 2.0	Moisture Resistance MIL-STD-202 Method 106
RF Leakage (db MIN) (Interface Only, Fully Mated) $-(90-f(\text{GHz}))$	Center Contact Captivation	Corrosion - MIL-STD-202, Method 101, Condition B
Corona, 70,000ft. (VRMS MIN) 250	Axial (Lbs) 6	
Dielectric Withstanding Voltage (VRMS MIN) @ Sea Level 1000		
Contact Resistance (Millohms MAX)		
Center Contact 4.0		
Outer Contact 2.0		
Cable to Housing 0.5		
RF High Potential @ Sea Level (VRMS MIN @ 5MHz) 670		
IR (Megohms MIN) 5000		

<small>THIS DRAWING IS A CONTROLLED DOCUMENT FOR TYCO ELECTRONICS CORPORATION. IT IS SUBJECT TO CHANGE AND THE CONTROLLING ENGINEERING ORGANIZATION SHOULD BE CONTACTED FOR THE LATEST REVISION.</small>		DWN RJM3 17FEB2011 CHK DHW 17FEB2011 APVD DHW 17FEB2011	Tyco Electronics Tyco Electronics Corporation Harrisburg, PA 17105-3608
DIMENSIONS: INCHES 		TOLERANCES UNLESS OTHERWISE SPECIFIED: 0 PLC \pm - 1 PLC \pm .1 2 PLC \pm .02 3 PLC \pm .005 4 PLC \pm .0005 ANGLES \pm - FINISH -	NAME SMA PLUG TO PLUG ADAPTER, PHASE MATCHED SIZE CAGE CODE DRAWING NO RESTRICTED TO A200779 C-2101334 -
MATERIAL -		PRODUCT SPEC -	SCALE 10:1 SHEET 1 OF 1 REV A
CUSTOMER DRAWING		WEIGHT -	