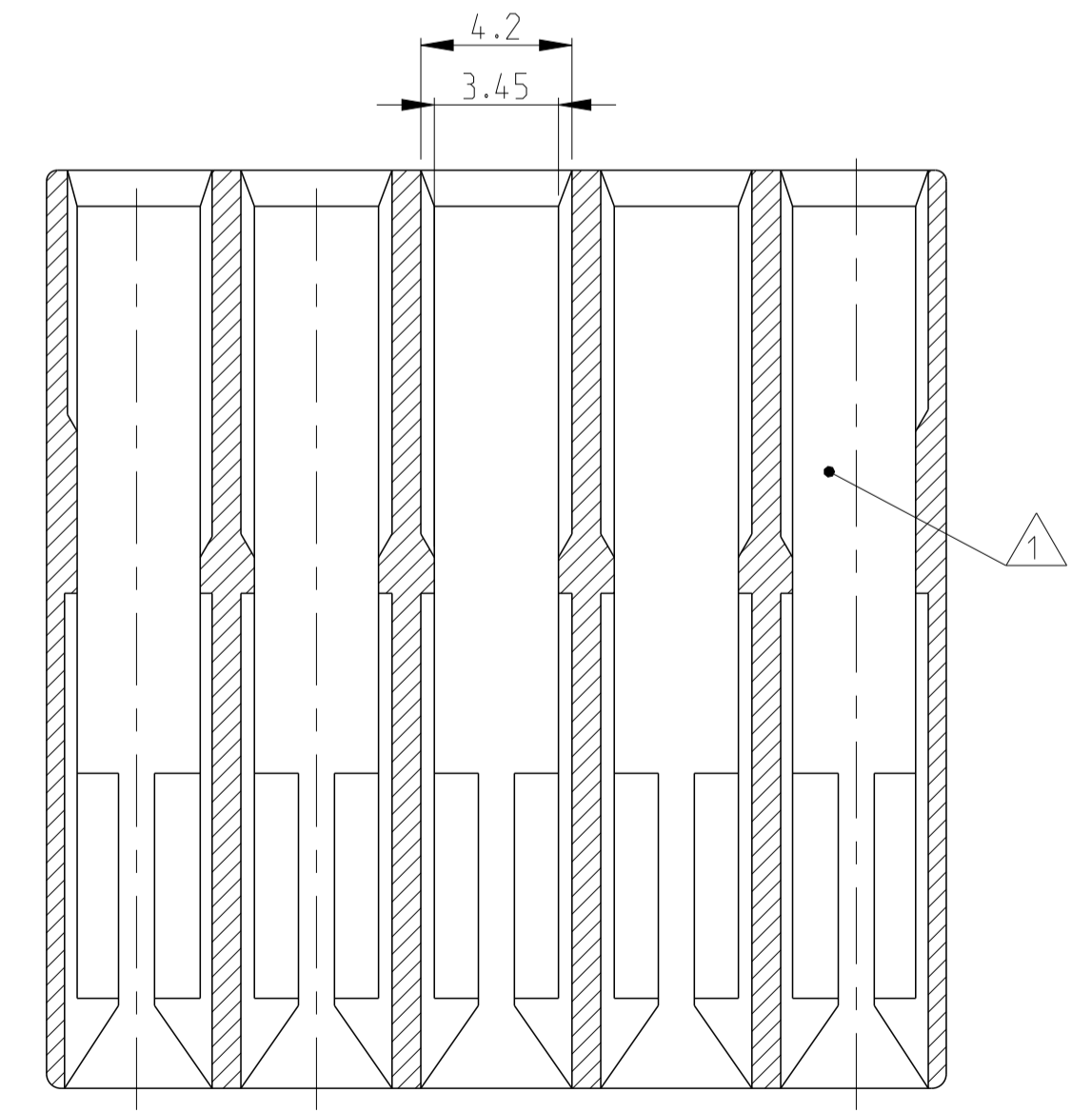
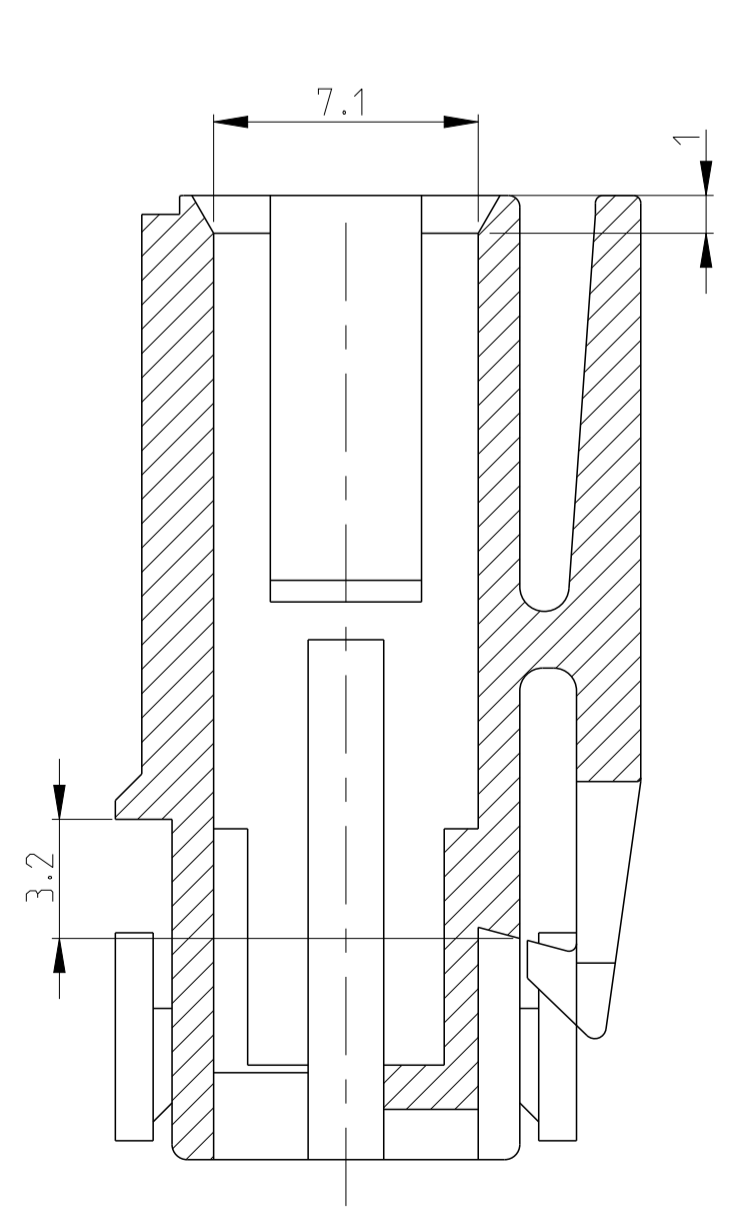
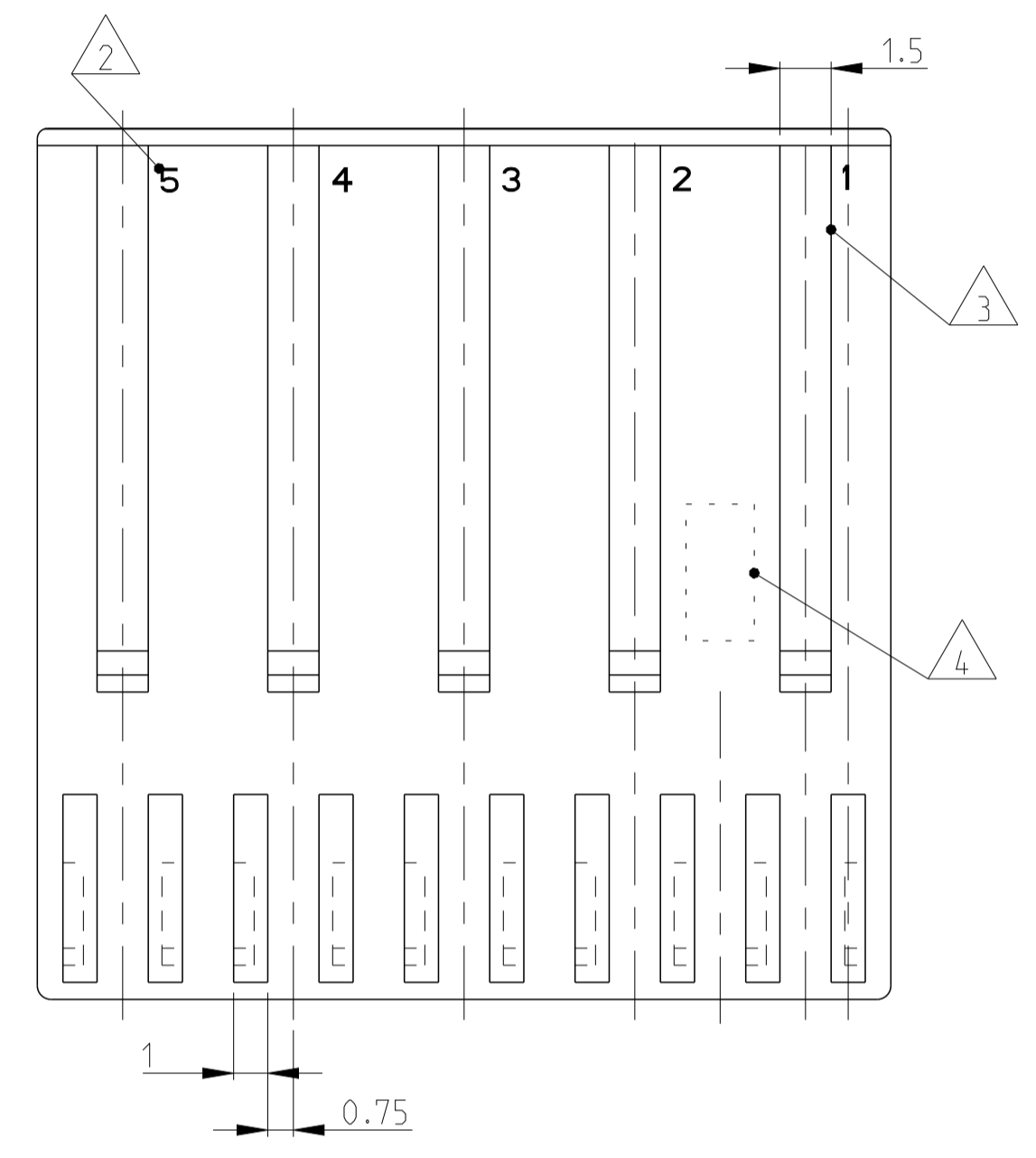
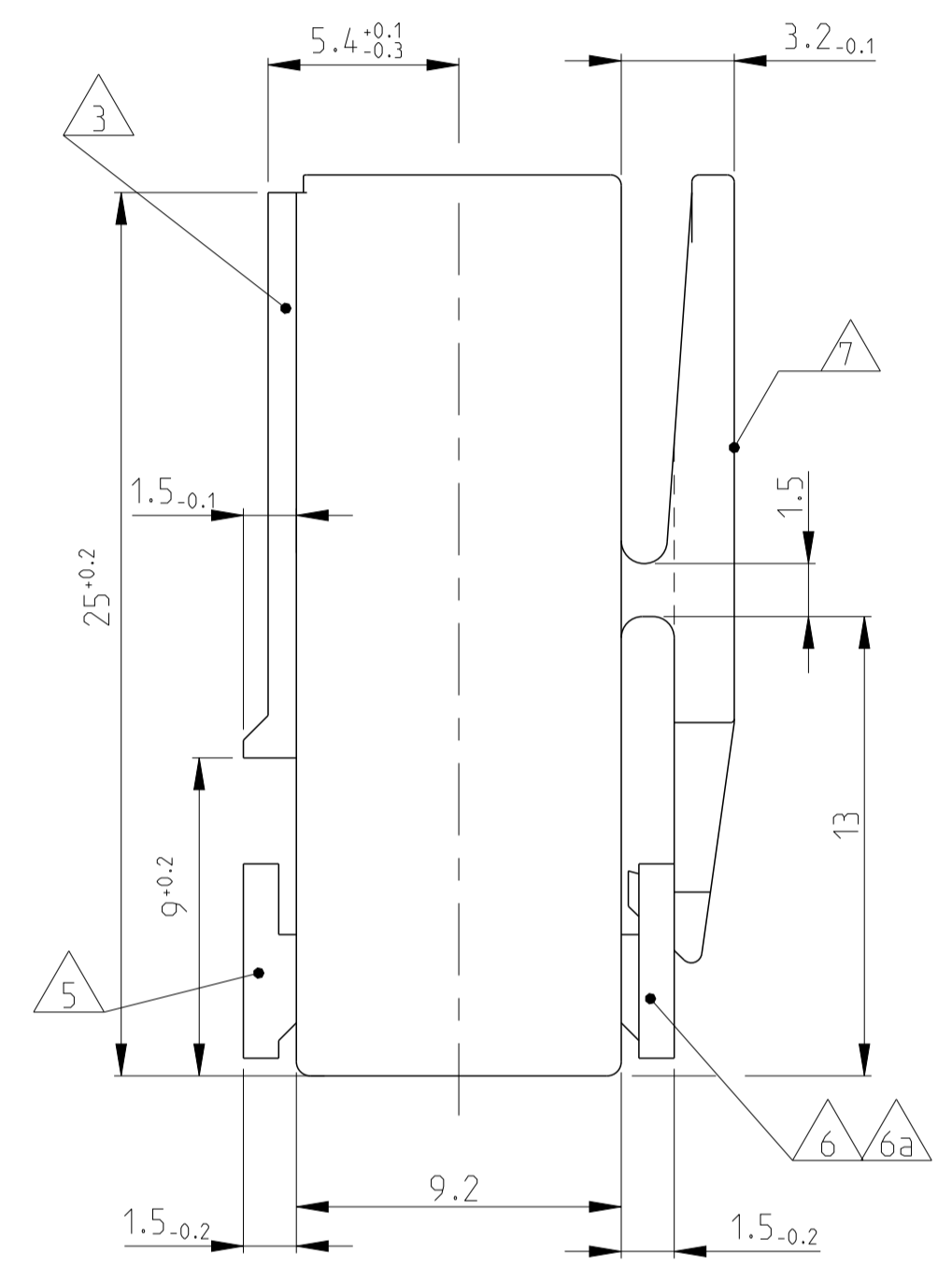
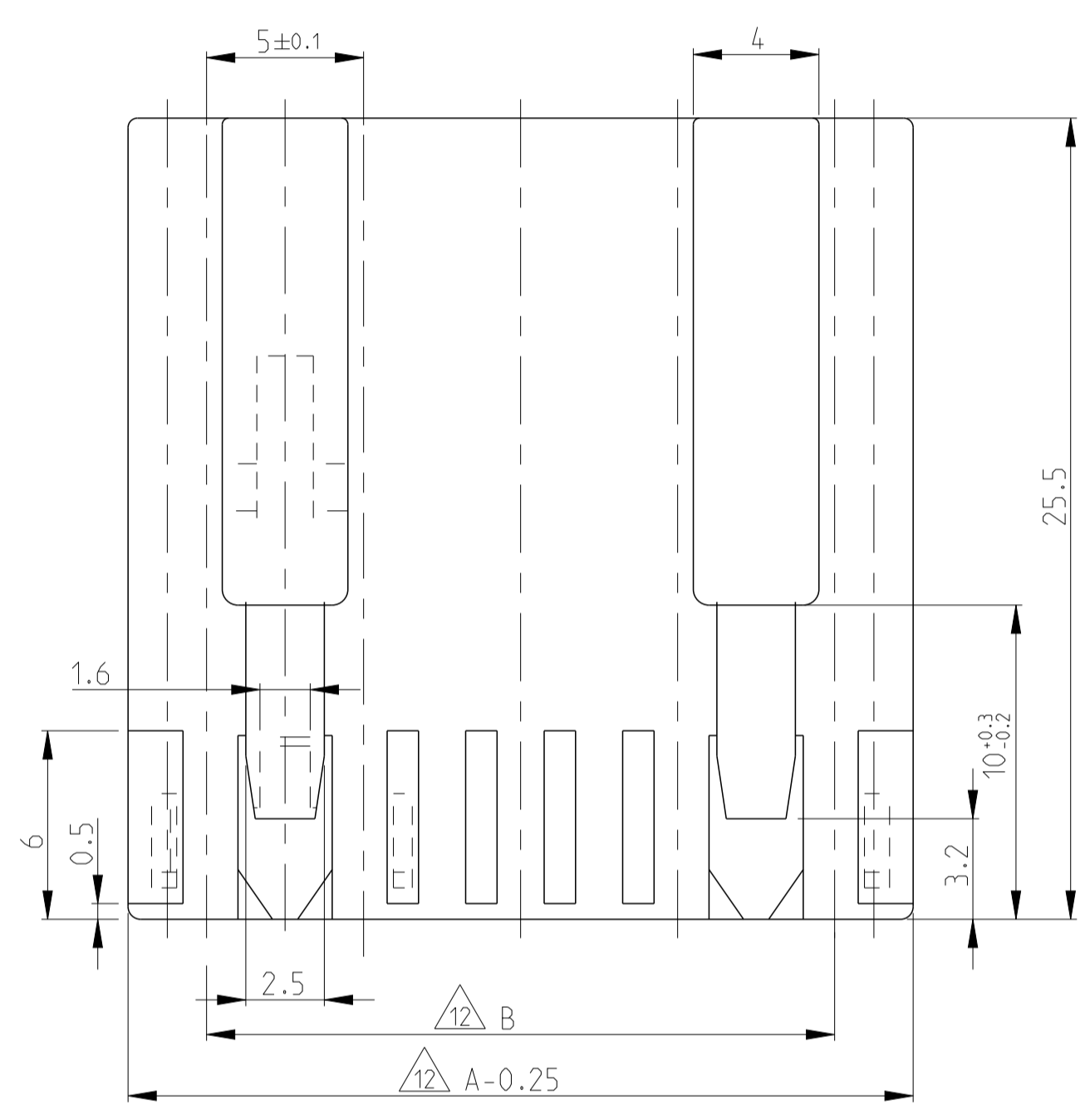
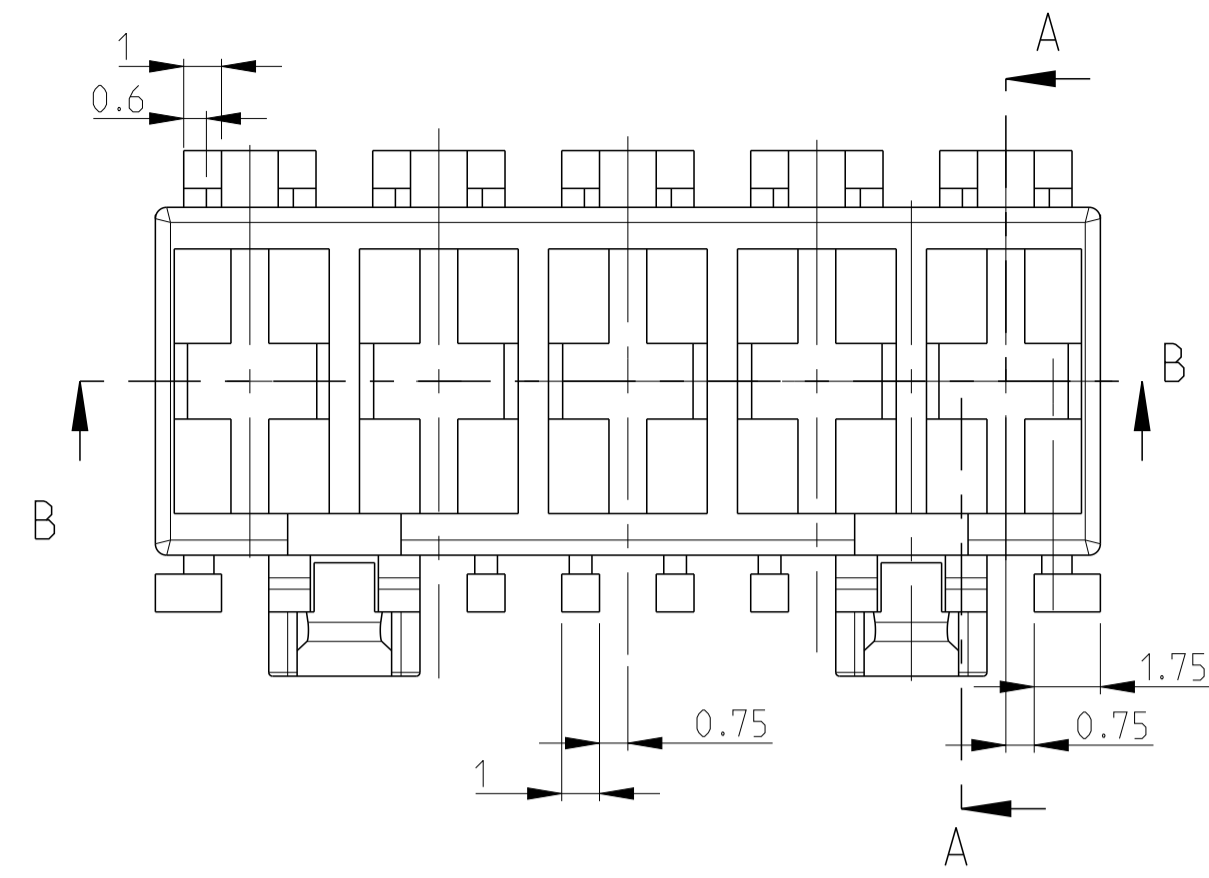
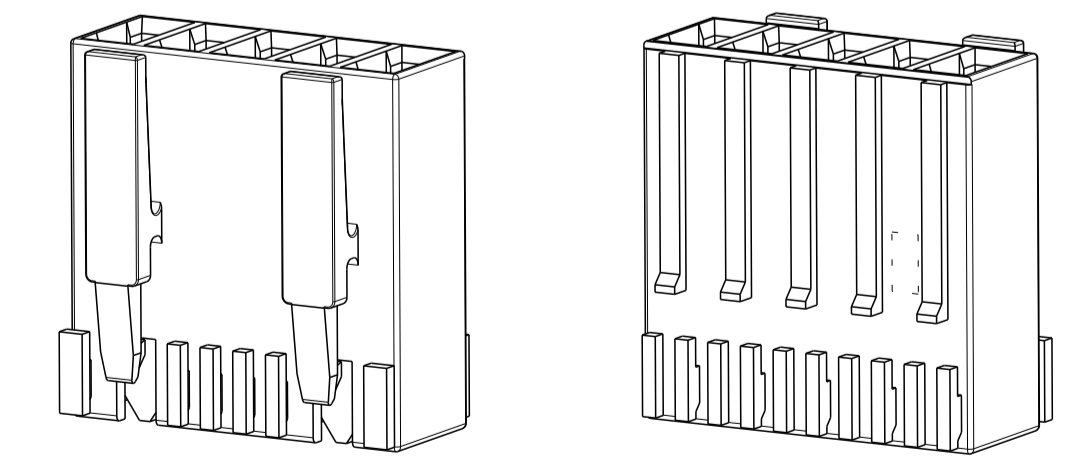


REVISONS		DATE	OWN	APPV
LOC	DIST			
A1	-			
C22	ECR-15-000985	23JAN2015	KD	RR
C23	ECR-15-002882	23FEB2015	KD	RR
C24	ECR-15-007451	14MAY2015	KD	RR



- REMARKS/Bemerkungen**
- 1 CAVITY SUITABLE FOR STANDARD TIMER CONTACTS LISTED IN PROD.SPEC. 108-18049, ITEM 3.3.2
Kammer geeignet für Standard Timer Kontakte gelistet in Prod. Spec. 108-18049, Punkt 3.3.2
 - 2 CONTACT CAVITY NO.
Kontaktkammernummerierung
 - 3 MATING STOP
Tiefenanschlag
 - 4 AREA FOR TE LOGO ACC: TO SPEC 202-36
Bereich für TE Logo nach Spec. 202-36
 - 5 POLARIZATION RIB POSITION "a" AND/OR "b"
Polarisierungsrippe Position "a" und/oder "b"
 - 6 KEYING RIB POSITION "c" AND/OR "d"
Kodierrippe Position "c" und/oder "d"
 - 6a KEYING RIB POSITION "c" AND/OR "d" AT THE END WALLS OF THE HOUSING
Kodierrippe Position "c" und/oder "d" an den Gehäusestirnseiten
 - 7 LOCKING LATCH
Rasthaken
 - 8 TE PART NO (PN)
TE Bestell Nr. (PN)
 - 9 DESIGN OF THE HOUSINGS ACC. TO RAST 5 STANDARD
Gehäuseausführung gemäss RAST 5 Vorgabe
 - 10 GENERAL SUITABLE TAB HEADER SEE RAST 5 PERFORMANCE
Generell passende Flachsteckerwannen siehe RAST 5 Vorgabe
 - 11 PACKAGING: BULK PACKAGING IN CORRUGATED BOX PN 740580-2
2 POS. 2500 PIECES PER BOX / 3 POS. 2000 PIECES PER BOX
Verpackung: Schüttgut in Versandkarton Pn 740580-2
2pol. 2500 Stück per Karton / 3pol. 2000 Stück per Karton
 - 12 DIMENSION A AND DIMENSION B SEE SHEET 2 OF 3
Mass A und Mass B. siehe Blatt 2 of 3
 - 13 MATERIAL CORRESPONDS TO THE REQUIRMENT EN 60335
(INCL. GLOW WIRE TEST 750° WITHOUT FLAME)
Material entspricht den Anforderungen der EN 60335
(inkl. Glühdrahttest 750° ohne Flamme)
 - 14 RATIO NUMBER OF THE KEYING VERSION, INKJET PRINTED. SEE SHEET 2
Kodierungskennnummer, mit Tintenstrahldrucker aufgebracht. siehe Blatt 2
 - 15 PRELIMINARY- NOT RELEASED FOR PRODUCTION
 - 16 5-1241961-7 HAS NOT COMPLETED QUALIFICATION TESTING

5 POSITION STD. TIMER MARK-II HOUSING



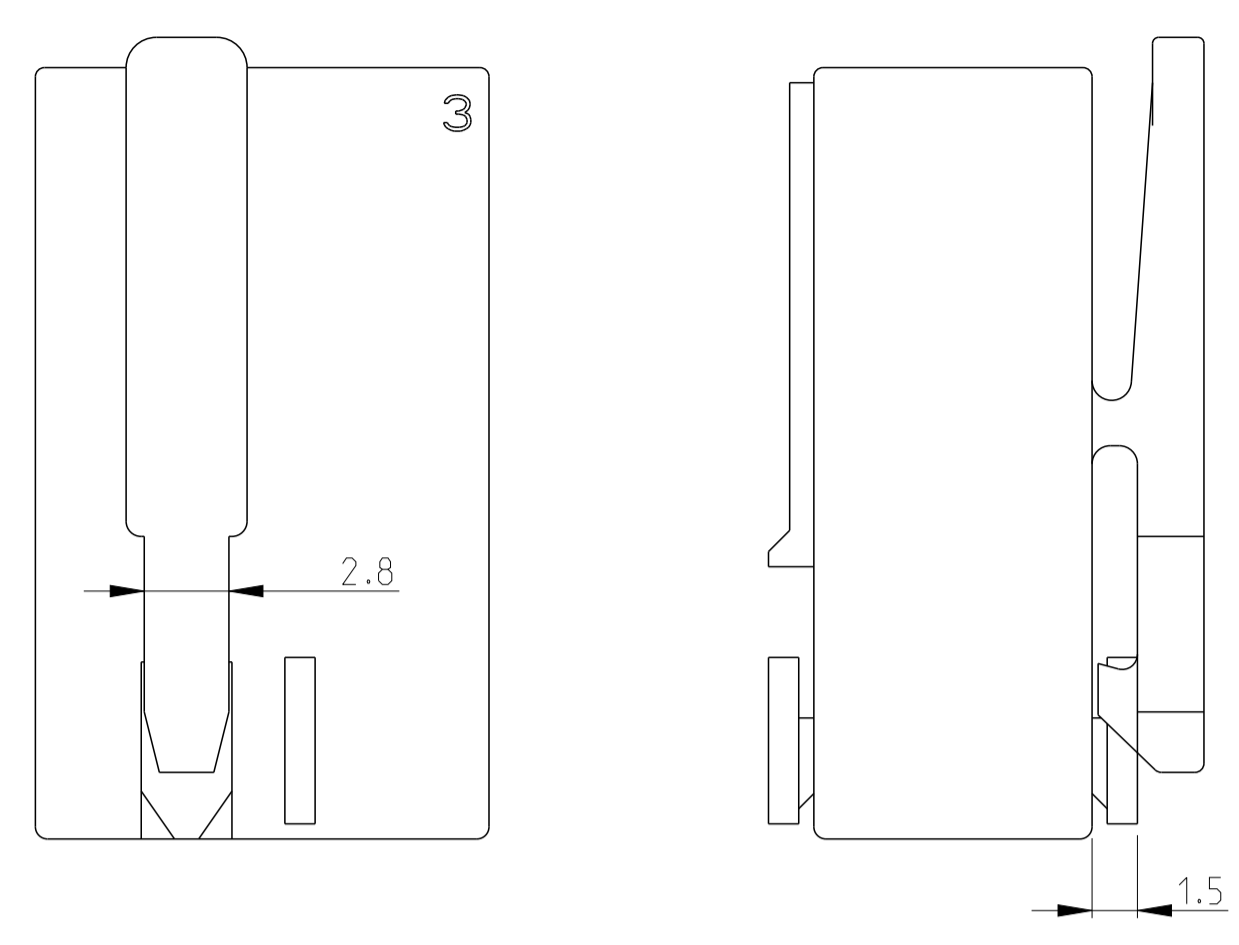
SCALE 2:1

SECTION A-A / Schnitt A-A

SECTION B-B / Schnitt B-B

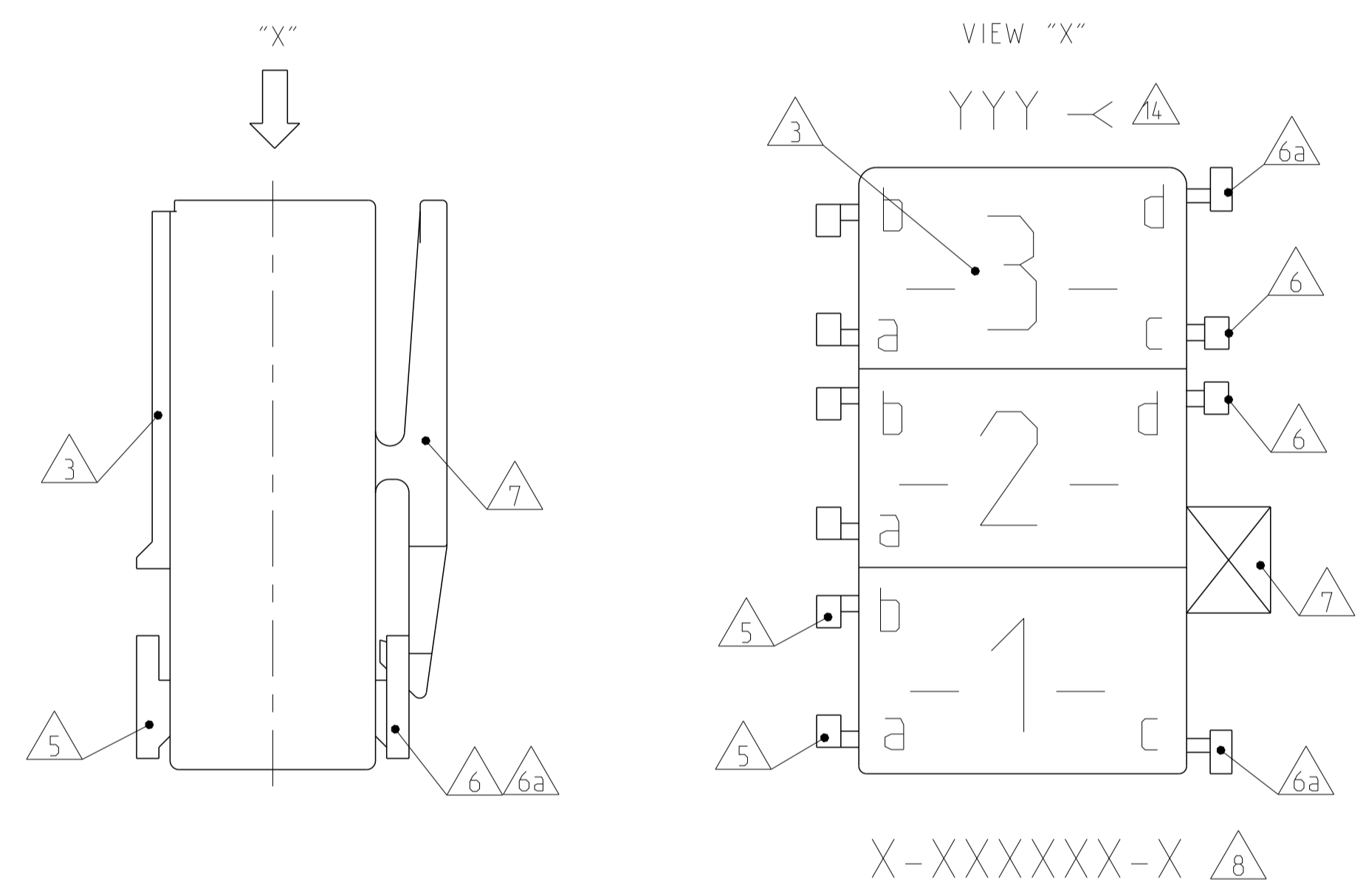
THIS DRAWING IS A CONTROLLED DOCUMENT.		OWN: Kishor M. 18-10-07	
DIMENSIONS: mm		CHK: K.Mundz 18-10-07	
TOLERANCES UNLESS OTHERWISE SPECIFIED:		APPV: Tr. Klanner 18-10-07	NAME: STANDARD TIMER HSG. RAST 5 MARK II Standard Timer Gehäuse RAST 5 Mark II
0 PLC ±0.2		PRODUCT SPEC: 108-18049	
1 PLC ±0.2		APPLICATION SPEC:	SIZE: A1
2 PLC ±0.2		WEIGHT: -	CAGE CODE: 00779
3 PLC ±0.2		Customer Drawing	DRAWING NO: 1241961
4 PLC ±0.2			RESTRICTED TO: -
ANGLES: -			SCALE: 5:1
FINISH: -			SHEET: 1 OF 3
MATERIAL: SEE TABLE SHEET 2 OF 3			REV: C24

ONLY 5-1241961-7, 1-1241961-9



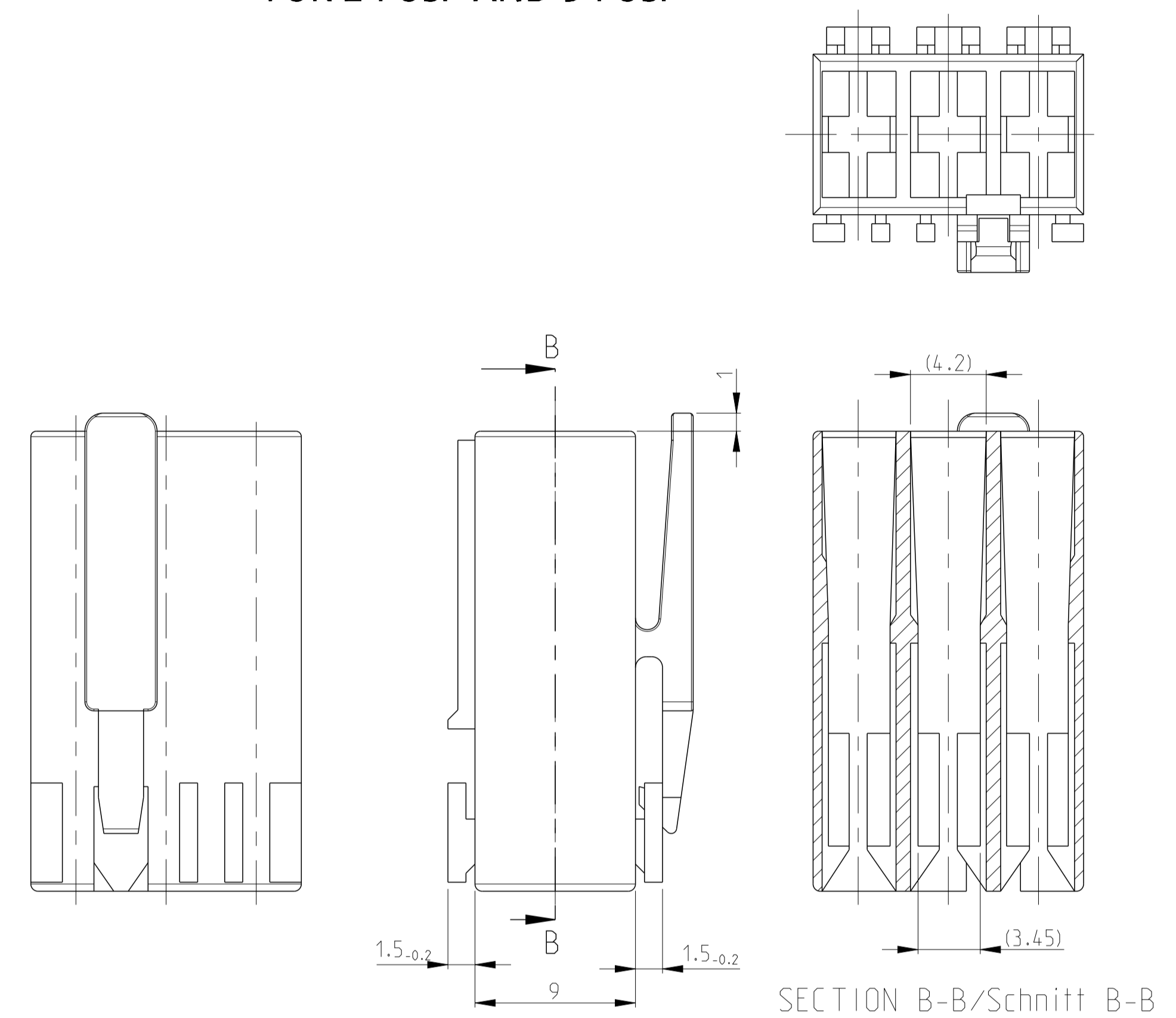
ALL OTHER DIMENSIONS SEE SHEET 1 OF 3

KEY LAYOUT DESCRIPTION



PAY ATTENTION!
DIFFERENT CAVITY GEOMETRY AND LOCKING LATCHE OVERHANG
Bitte beachten!
Unterschiedliche Kammergeometrie und Rasthakenüberstand.

FOR 2 POS. AND 3 POS.



ALL OTHER DIMENSIONS SEE SHEET 1 OF 3
Alle anderen Masse siehe Seite 1 von 3

		SPECIAL MATERIAL						
PRELIMINARY	1955507-4	4	20	15	PA66	NATURAL	1	
PRELIMINARY	9-1955506-2	2	10	5	UL 94 V0	NATURAL	1	

PART NO	POS	DIM A	DIMM B	MATERIAL	COLOUR /Farbe	REV./Rev.
6-1241961-7	3	15	10	PA 6 UL94V-2	NATURAL	1
4-1241961-7	3	15	10	PA 6 UL94V-2	NATURAL	A
3-1241961-7	3	15	10	PA 6 UL94V-2	NATURAL	A
1-1955422-7	3	15	10	PA 66 UNFILLED UL94 V0	NATURAL	A
5-1955422-7	3	15	10	PA 66 UNFILLED UL94 V0	NATURAL	A
4-1955422-3	2	10	5	PA 66 UNFILLED UL94 V0	NATURAL	A
2-1241817-3	3	15	10	PA 66 UL94 V-2	Green	E
0-1955422-6	3	15	10	PA 66 UNFILLED UL94 V0	NATURAL	A
8-1241961-8	3	15	10	PA 6 UL94V-2	natural	C
0-1241961-8	3	15	10	PA 6 UL94V-2	natural	A
8-1241961-3	2	10	5	PA 6 UL94V-2	NATURAL	C
3-1241961-1	2	10	5	PA 6 UL94V-2	NATURAL	C
0-1955422-1	2	10	5	PA 66 UNFILLED UL94 V0	NATURAL	A

LOC	DIST	REV	DATE	BY	APPV
A1	-				

		REVISIONS				
		DESCRIPTION	DATE	BY	APPV	
		SEE SHEET-01				
0-1241959-5	5	25	20	PA 6 UL94V-2	Natural/natur	
4-1241959-4	4	20	15			
2-1241959-4	2	20	15			
0-1241959-4	4	20	15			
2-1241817-5	5	25	20	PA 6.6 UL94V-2	Natural/natur	
0-1241817-5	0	25	20			
3-1241817-4	3	20	15			
2-1241817-4	2	20	15			
0-1241817-4	4	20	15			
2-1241983-2	2	10	5	PA 6 UL94V-2	Green/grün	
1-1241983-2	1	10	5			
0-1241983-2	0	10	5			
8-1241983-2	8	10	5			
5-1241983-3	5	10	5			
6-1241983-2	6	10	5			
9-1241961-8	9	15	10	PA 6 UL94V-2	Natural/natur	
6-1241961-8	6	15	10			
5-1241961-8	5	15	10			
4-1241961-8	4	15	10			
7-1241961-8	7	15	10			
1-1241961-8	1	15	10			
3-1241961-8	3	15	10			
2-1241961-8	2	15	10			
2-1241961-7	2	15	10			
1-1241961-7	1	15	10			
9-1241961-9	9	15	10			
0-1241961-6	0	15	10			
3-1241961-3	3	10	5			
2-1241961-2	2	10	5			
5-1241961-2	5	10	5			
4-1241961-3	4	10	5			
7-1241961-2	7	10	5			
7-1241961-3	7	10	5			
6-1241961-3	6	10	5			
3-1241961-2	3	10	5			
5-1241961-3	5	10	5			
6-1241961-2	6	10	5			
0-1241961-3	0	10	5			
8-1241961-2	8	10	5			
9-1241961-2	9	10	5			
0-1241961-1	0	10	5			

PART NO	POS	DIM.A/Mass A	DIM.B/Mass B	MATERIAL /Material	COLOUR /Farbe	REV./Rev.
9-969484-9	3	15	10	PA 6.6 UL94V-2	Yellow/gelb	
2-969484-8	2	15	10			
4-969484-8	4	15	10			
0-969484-8	0	15	10			
9-969484-7	9	15	10			
8-969484-7	8	15	10			
7-969484-7	7	15	10			
6-969484-7	6	15	10			
5-969484-7	5	15	10			
4-969484-7	4	15	10			
3-969484-7	3	15	10			
2-969484-7	2	15	10			
1-969484-7	1	15	10			
0-969484-7	0	15	10			
9-969484-6	9	15	10	PA 6.6 UL94V-2	Natural/natur	
8-969484-6	8	15	10			
7-969484-6	7	15	10			
6-969484-6	6	15	10			
5-969484-6	5	15	10			
4-969484-6	4	15	10			
3-969484-6	3	15	10			
2-969484-6	2	15	10			
1-969484-6	1	15	10			
0-969484-6	0	15	10			
7-969484-3	7	10	5			
6-969484-3	6	10	5			
5-969484-3	5	10	5			
4-969484-3	4	10	5			
3-969484-3	3	10	5			
2-969484-3	2	10	5			
1-969484-3	1	10	5			
0-969484-3	0	10	5			
9-969484-2	9	10	5			
8-969484-2	8	10	5			
7-969484-2	7	10	5			
6-969484-2	6	10	5			
5-969484-2	5	10	5			
4-969484-2	4	10	5			
3-969484-2	3	10	5			
2-969484-2	2	10	5			
1-969484-2	1	10	5			
0-969484-2	0	10	5			
9-969484-1	9	10	5			
8-969484-1	8	10	5			
7-969484-1	7	10	5			
6-969484-1	6	10	5			
5-969484-1	5	10	5			
4-969484-1	4	10	5			
3-969484-1	3	10	5			
2-969484-1	2	10	5			
1-969484-1	1	10	5			
0-969484-1	0	10	5			

THIS DRAWING IS A CONTROLLED DOCUMENT.

DIMENSIONS: mm

TOLERANCES UNLESS OTHERWISE SPECIFIED:

0 PLC	±0.2
1 PLC	±0.2
2 PLC	±0.2
3 PLC	±0.2
4 PLC	±0.2
ANGLES	±0.1

MATERIAL: SEE TABLE SHEET 2 OF 3

FINISH: -

WEIGHT: -

Customer Drawing

SCALE: 5:1

SHEET 2 OF 3

REV: 24

STANDARD TIMER HSG. RAST 5 MARK II
Standard Timer Gehäuse RAST 5 Mark II

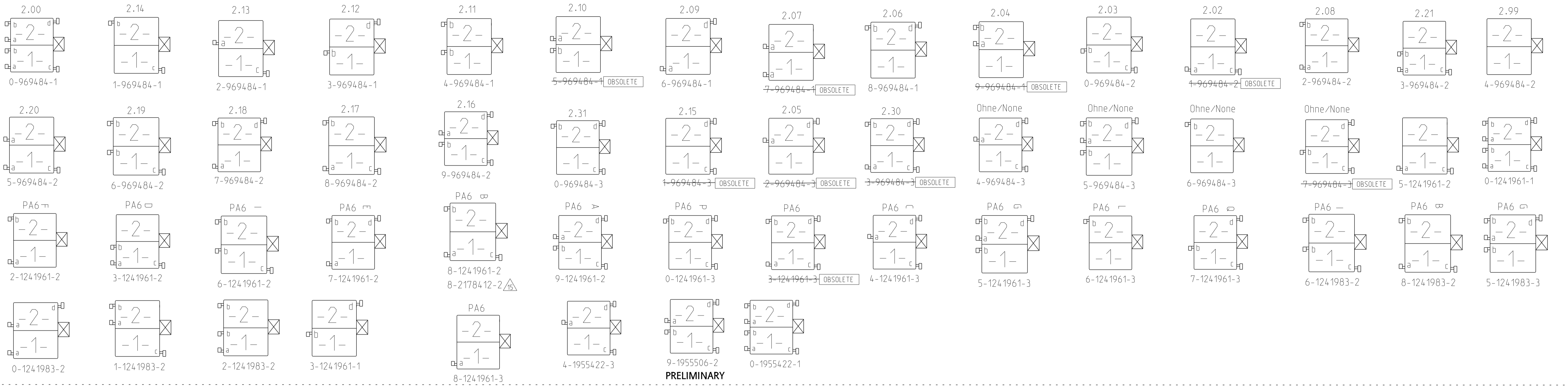
SIZE: A1

CAGE CODE: 00779

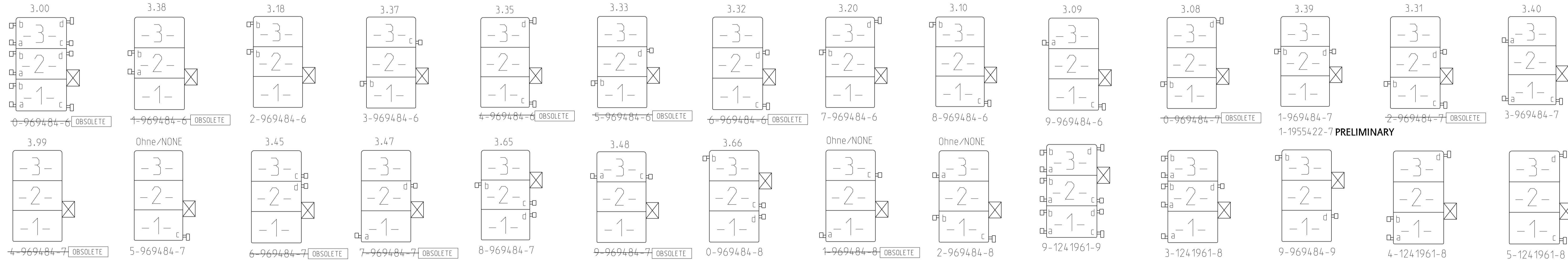
DRAWING NO: 1241961

RESTRICTED TO: -

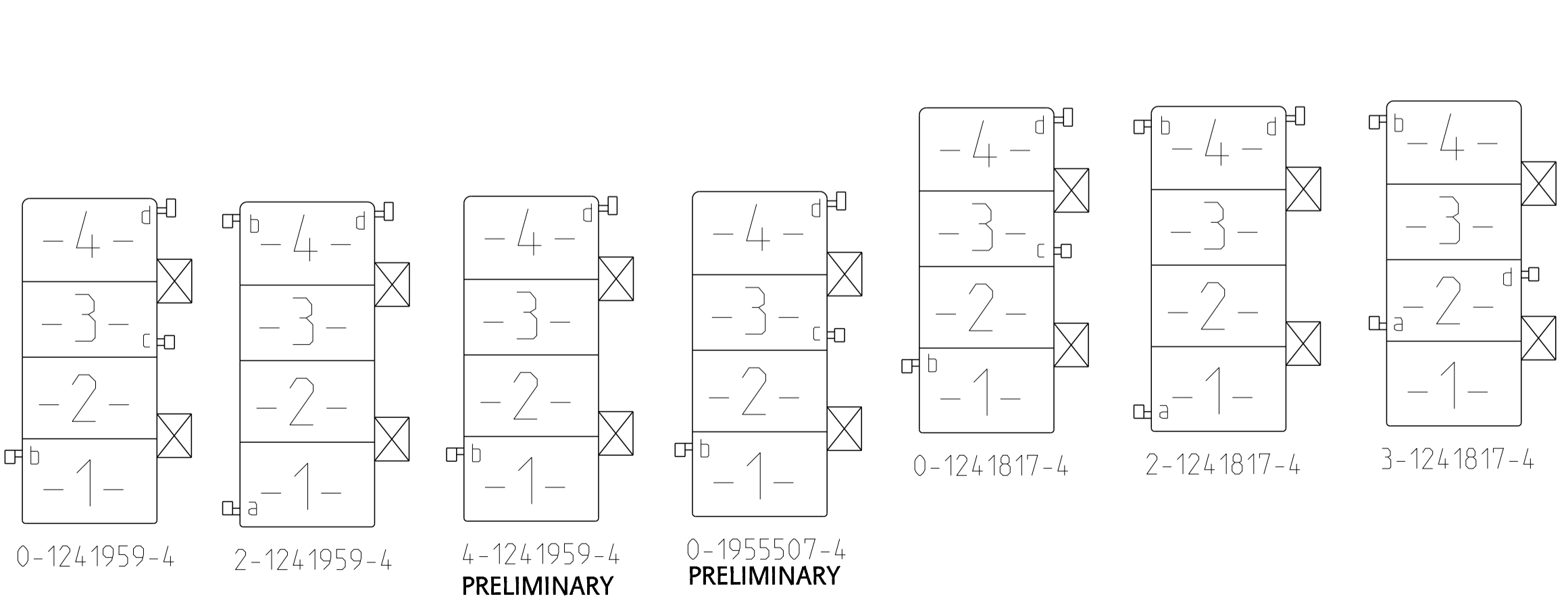
2 POSITION VARIANTS



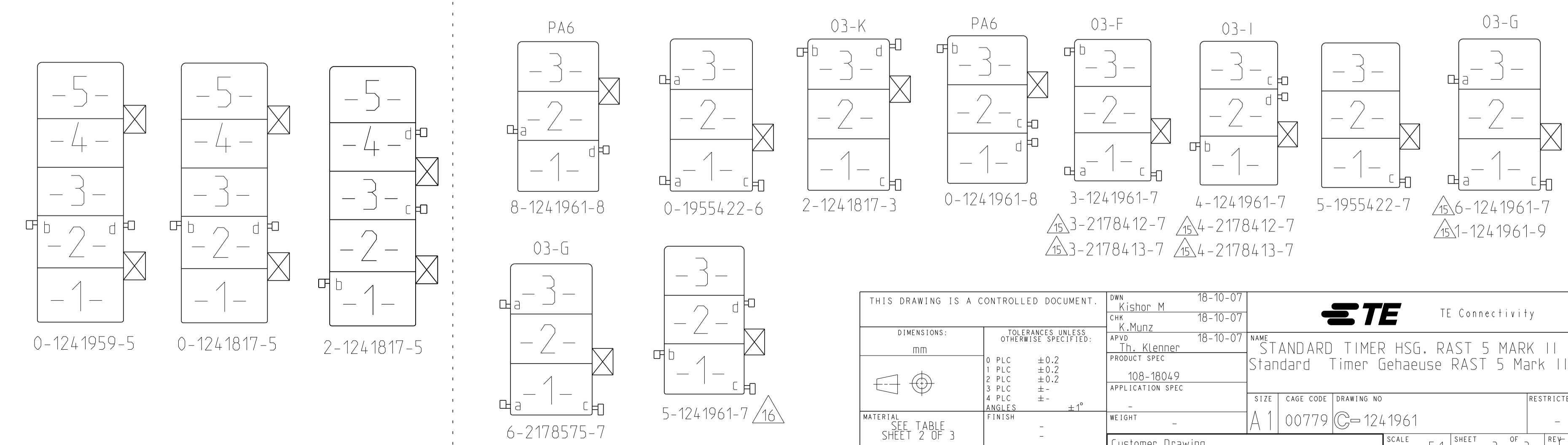
3 POSITION VARIANTS



4 POSITION VARIANTS



5 POSITION VARIANTS



THIS DRAWING IS A CONTROLLED DOCUMENT.		OWN: K. Kishor M. 18-10-07	 TE Connectivity
DIMENSIONS: mm		CHK: K. Mundz 18-10-07	
TOLERANCES UNLESS OTHERWISE SPECIFIED:		APPV: T. Klenner 18-10-07	
0 PLC ±0.2 1 PLC ±0.2 2 PLC ±0.2 3 PLC ±0.2 4 PLC ±0.2 ANGLES ±°		NAME: STANDARD TIMER HSG. RAST 5 MARK II Standard Timer Gehäuse RAST 5 Mark II	
MATERIAL: SEE TABLE SHEET 2 OF 3	FINISH: -	WEIGHT: -	RESTRICTED TO: -
Customer Drawing		SIZE: A1	SCALE: 5:1
SHEET 2 OF 3		DRAWING NO: 00779	SHEET 3 OF 3
DRAWING NO: 108-18049		DRAWING NO: 1241961	REV: 24