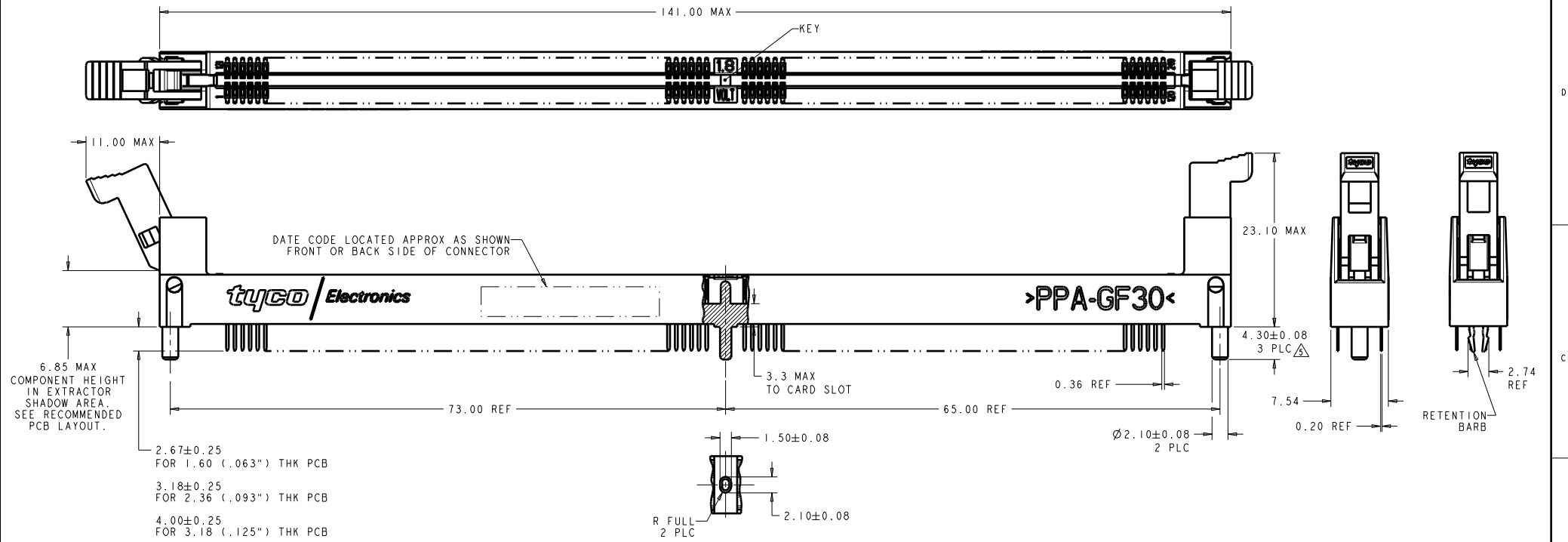
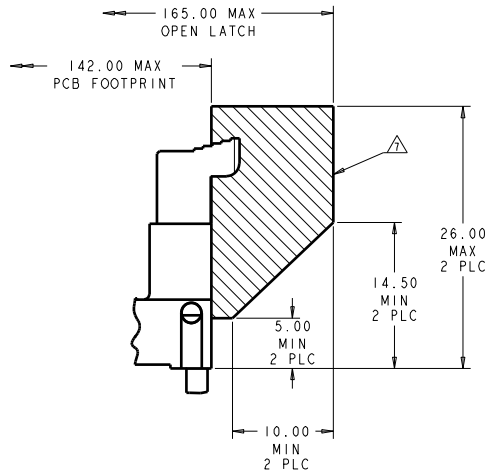


ECO	STAT	DATE	DESCRIPTION	DATE	DRW	APPD
GP	00					
A		30SEP2003	RELEASE PER ECO-05-009687		DDR	MY
A1		11NOV2003	REV PER ECO-05-012912		BC	MY
B		01DEC2004	REVISED PER ECR-06-028078		ST	SY

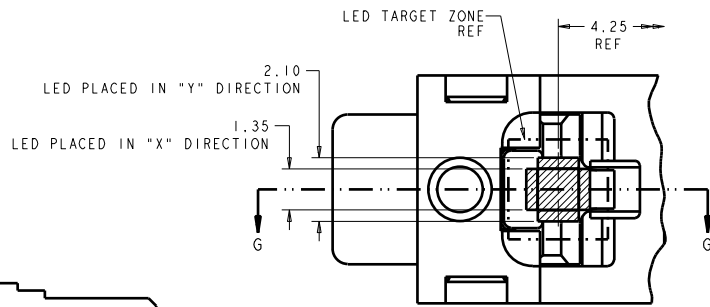


- MATERIALS:**
- HOUSING: HIGH TEMPERATURE NYLON, BLACK, UL94 V-0
  - EXTRACTOR: HIGH TEMPERATURE THERMOPLASTIC
  - CONTACTS: COPPER ALLOY
  - RETENTION BARB: STAINLESS STEEL
- INTERFACE FINISH:**
- (1) 0.00076 MIN THK GOLD OVER 0.00127 MIN THK NICKEL
  - (2) 0.00038 MIN THK GOLD OVER 0.00127 MIN THK NICKEL
  - (3) 0.00008 MIN THK GOLD OVER 0.00127 MIN THK NICKEL
- RIGHT HOLE IS GLOBAL D-E ORIGIN FOR ALL POSITIONAL TOLERANCES. LEFT AND RIGHT NON-PLATED THRU HOLES ESTABLISH -E-.**
- FINISHED HOLE SIZE. 0.15 MAXIMUM ANULAR RING.
  - RETENTION BARB MAY BE SPECIFIED IN PLACE OF PEGS (3 PLC). DIMENSION INDICATED WOULD THEN BE 4.00 MAX.
  - KEEP OUT ZONE.
  - KEEP OUT AREA RESERVED FOR SOCKET EXTRACTORS, BOTH ENDS.
  - SOLDERTAIL FINISH: 0.00300 MIN THK BRIGHT TIN-LEAD OVER 0.00127 MIN. THK NICKEL.
  - SOLDERTAIL FINISH: 0.00300 MIN THK MATTE TIN OVER 0.00127 MIN. THK NICKEL.
  - LED LOCATION AS APPLICABLE PER CUSTOMER.
  - QUALIFY TO TYCO DESIGN OBJECTIVES 108-2111-1.
  - QUALIFY TO TYCO DESIGN OBJECTIVES 108-2111-2.
  - DATUM [-F-] IS CONNECTOR SIDE SURFACE OF PCB.

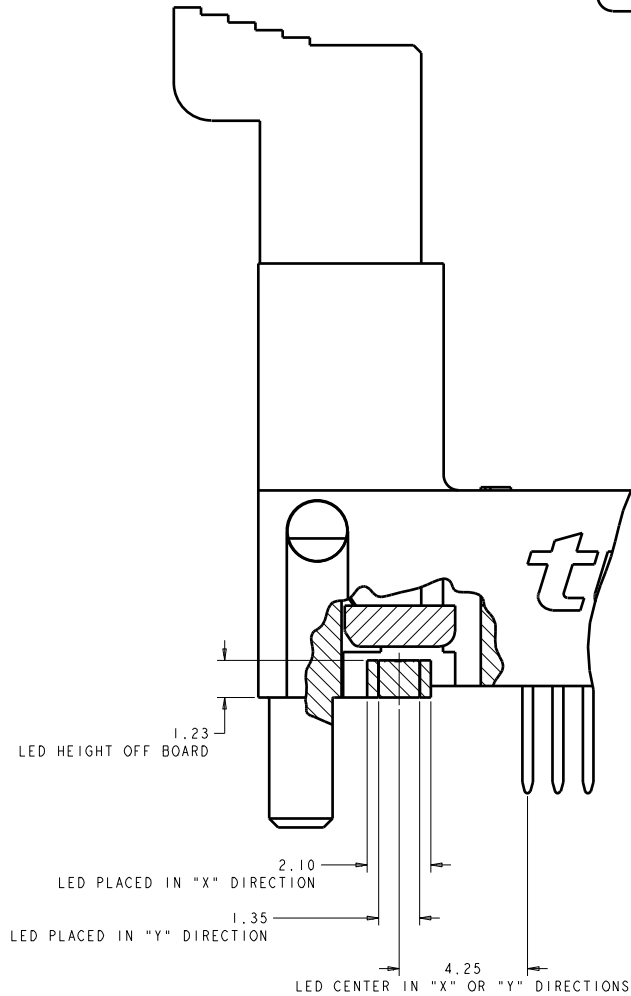


DIMENSIONS: mm UNLESS OTHERWISE SPECIFIED: INCHES TOLERANCES: FRACTIONS DECIMALS ANGLES 0 PLC ±.015 1 PLC ±.010 2 PLC ±.008 3 PLC ±.005 4 PLC ±.003		DATE: 04 JAN 2002 BY: D. RINGLER DATE: 04 JAN 2002 BY: M. CORRELL DATE: 20 JUN 2003 BY: M. CORRELL	Tyco Electronics Harrisburg, PA 17105-3608
MATERIAL:		WEIGHT: - FINISH:	TITLE: SOCKET ASSEMBLY, DDR 11 SOLDER TAIL, 240 POSITION DATE: 00779 CUSTOMER DRAWING
SCALE: 4:1		SHEET: 1 of 3	REV: B

REV	DATE	DESCRIPTION	BY	CHK	APP
00		SEE SHEET 1			



PARTIAL BOTTOM VIEW  
 SCALE 12:1

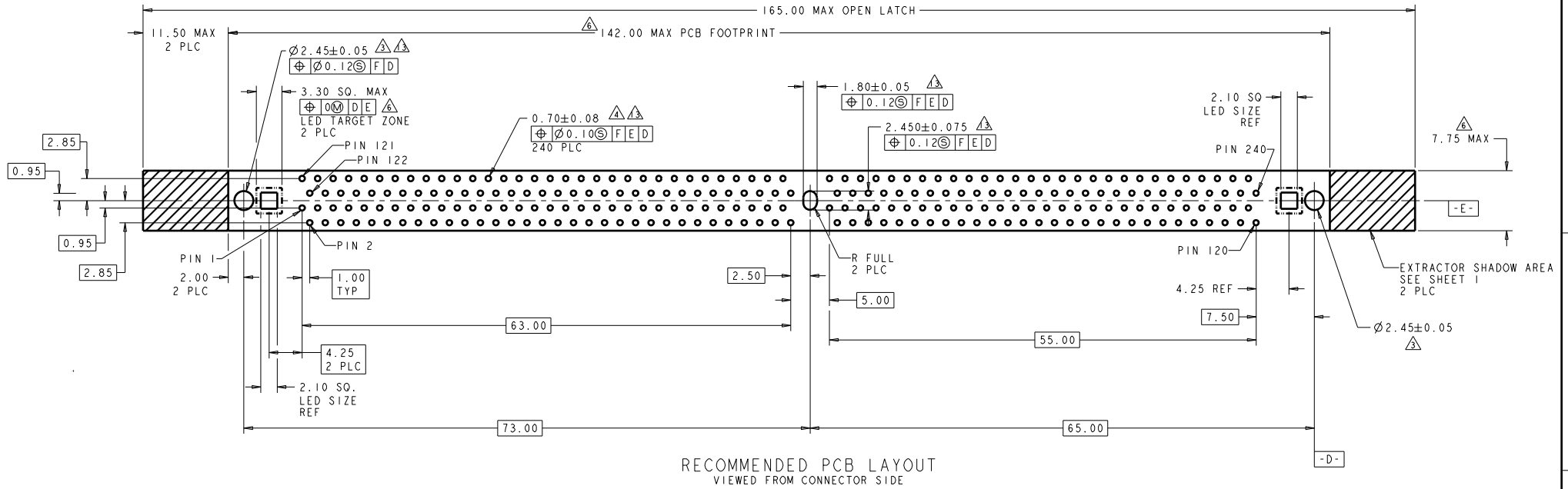


SECTION G-G  
 SCALE 12:1

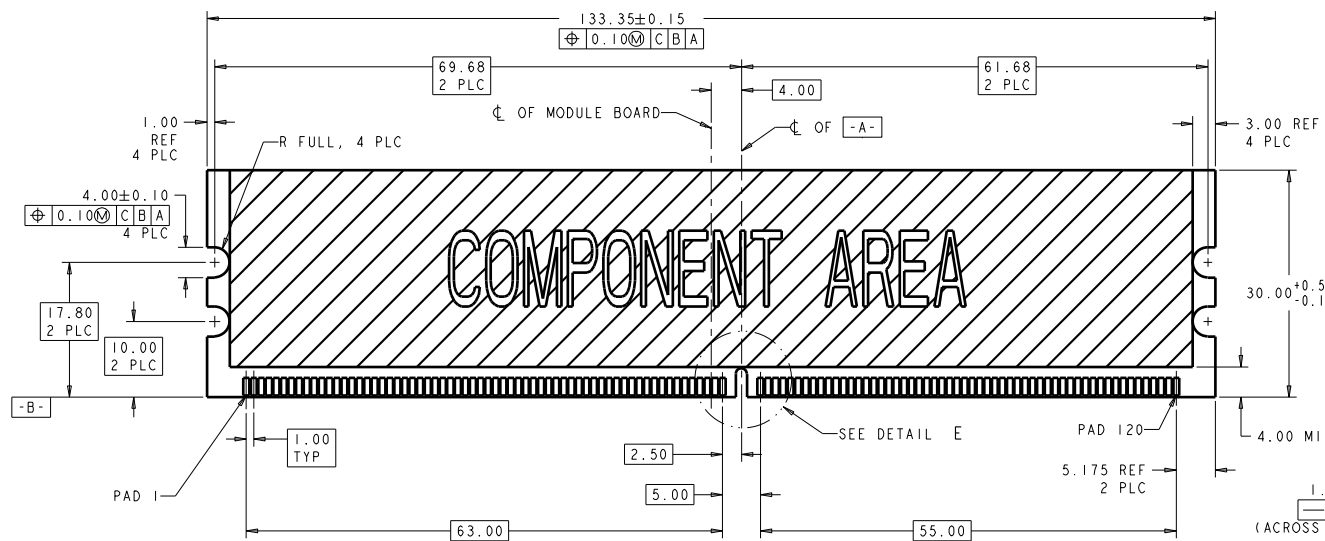
REV	DATE	DESCRIPTION	BY	CHK	APP			
		BLACK	△	0.00038 MIN	3.18	RETENTION BARB	3-1489841-9	△
		BLACK	△	0.00038 MIN	2.67	RETENTION BARB	3-1489841-8	△
		BLACK	△	0.00038 MIN	2.67	RETENTION BARB	3-1489841-7	△
		NATURAL	△	0.00000 MIN	4.00	RETENTION BARB	3-1489841-6	△
		NATURAL	△	0.00000 MIN	3.18	RETENTION BARB	3-1489841-5	△
		NATURAL	△	0.00000 MIN	2.67	RETENTION BARB	3-1489841-4	△
		NATURAL	△	0.00038 MIN	4.00	RETENTION BARB	3-1489841-3	△
		NATURAL	△	0.00038 MIN	3.18	RETENTION BARB	3-1489841-2	△
		NATURAL	△	0.00038 MIN	2.67	RETENTION BARB	3-1489841-1	△
		NATURAL	△	0.00076 MIN	4.00	RETENTION BARB	3-1489841-0	△
		NATURAL	△	0.00076 MIN	3.18	RETENTION BARB	2-1489841-9	△
		NATURAL	△	0.00076 MIN	2.67	RETENTION BARB	2-1489841-8	△
		NATURAL	△	0.00000 MIN	4.00	PLASTIC POST	2-1489841-7	△
		NATURAL	△	0.00000 MIN	3.18	PLASTIC POST	2-1489841-6	△
		NATURAL	△	0.00000 MIN	2.67	PLASTIC POST	2-1489841-5	△
		NATURAL	△	0.00038 MIN	4.00	PLASTIC POST	2-1489841-4	△
		NATURAL	△	0.00038 MIN	3.18	PLASTIC POST	2-1489841-3	△
		NATURAL	△	0.00038 MIN	2.67	PLASTIC POST	2-1489841-2	△
		NATURAL	△	0.00076 MIN	4.00	PLASTIC POST	2-1489841-1	△
		NATURAL	△	0.00076 MIN	3.18	PLASTIC POST	2-1489841-0	△
		NATURAL	△	0.00076 MIN	2.67	PLASTIC POST	1-1489841-9	△
		NATURAL	△	0.00000 MIN	4.00	RETENTION BARB	1-1489841-8	△
		NATURAL	△	0.00000 MIN	3.18	RETENTION BARB	1-1489841-7	△
		NATURAL	△	0.00000 MIN	2.67	RETENTION BARB	1-1489841-6	△
		NATURAL	△	0.00030 MIN	4.00	RETENTION BARB	1-1489841-5	△
		NATURAL	△	0.00038 MIN	3.18	RETENTION BARB	1-1489841-4	△
		NATURAL	△	0.00038 MIN	2.67	RETENTION BARB	1-1489841-3	△
		NATURAL	△	0.00076 MIN	4.00	RETENTION BARB	1-1489841-2	△
		NATURAL	△	0.00076 MIN	3.18	RETENTION BARB	1-1489841-1	△
		NATURAL	△	0.00076 MIN	2.67	RETENTION BARB	1-1489841-0	△
		NATURAL	△	0.00000 MIN	4.00	PLASTIC POST	1489841-9	△
		NATURAL	△	0.00000 MIN	3.18	PLASTIC POST	1489841-8	△
		NATURAL	△	0.00000 MIN	2.67	PLASTIC POST	1489841-7	△
		NATURAL	△	0.00030 MIN	4.00	PLASTIC POST	1489841-6	△
		NATURAL	△	0.00038 MIN	3.18	PLASTIC POST	1489841-5	△
		NATURAL	△	0.00030 MIN	2.67	PLASTIC POST	1489841-4	△
		NATURAL	△	0.00076 MIN	4.00	PLASTIC POST	1489841-3	△
		NATURAL	△	0.00076 MIN	3.18	PLASTIC POST	1489841-2	△
		NATURAL	△	0.00076 MIN	2.67	PLASTIC POST	1489841-1	△
		NATURAL	△	0.00076 MIN	2.67	PLASTIC POST	1489841-0	△
		EXTRACTOR COLOR				SOLDER TAIL		
						CONTACT GOLD INTERFACE		
						TAIL LENGTH		
						HOUSING STYLE		
						PART NUMBER		

DIMENSIONS: mm 1/16" INCREMENTS 0.130" INCREMENTS 0.254" INCREMENTS	DATE: 04 JAN 2002 BY: D. BINGLER DATE: 04 JAN 2002 BY: M. CORRELL DATE: 20 JUN 2003 BY: M. CORRELL	Tico Electronics Harrisburg, PA 17105-3608
PRODUCT SPEC APPLICATION SPEC MATERIAL	SHEET: 00779 CUSTOMER DRAWING	SOCKET ASSEMBLY, DDR II SOLDER TAIL, 240 POSITION
SCALE: 4:1 SHEET: 2 OF 3 REV: B		

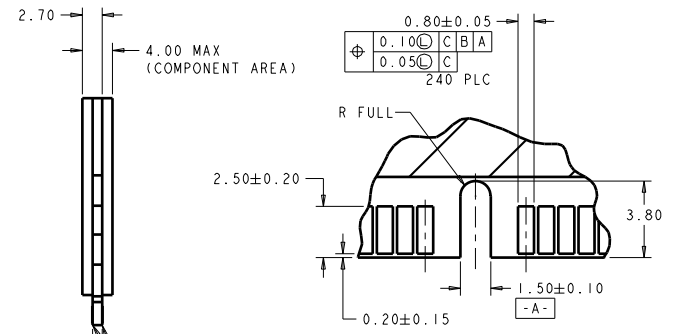
REV	DATE	DESCRIPTION	BY	CHK	APPD
00		SEE SHEET 1			



RECOMMENDED PCB LAYOUT  
 VIEWED FROM CONNECTOR SIDE



RECOMMENDED MODULE LAYOUT  
 SCALE 3:1



DETAIL E  
 SCALE 8:1

DIMENSIONS: mm UNLESS OTHERWISE SPECIFIED: mm DECIMALS: 0.05 ANGLES: AS SHOWN TOLERANCES: 0.10 FINISH: AS SHOWN MATERIAL: AS SHOWN		DATE: 04JAN2002 BY: J. BINGLER DATE: 20JUN2003 BY: M. CORRELL PROJECT SPEC: SOCKET ASSEMBLY, DDR II SOLDER TAIL, 240 POSITION APPLICATION SPEC:	TFCO Tyco Electronics Harrisburg, PA 17105-3600
SHEET: 1 OF: 3	SCALE: 1:1	DRAWING NO: 00779 CUSTOMER DRAWING	REV: 0 BY: