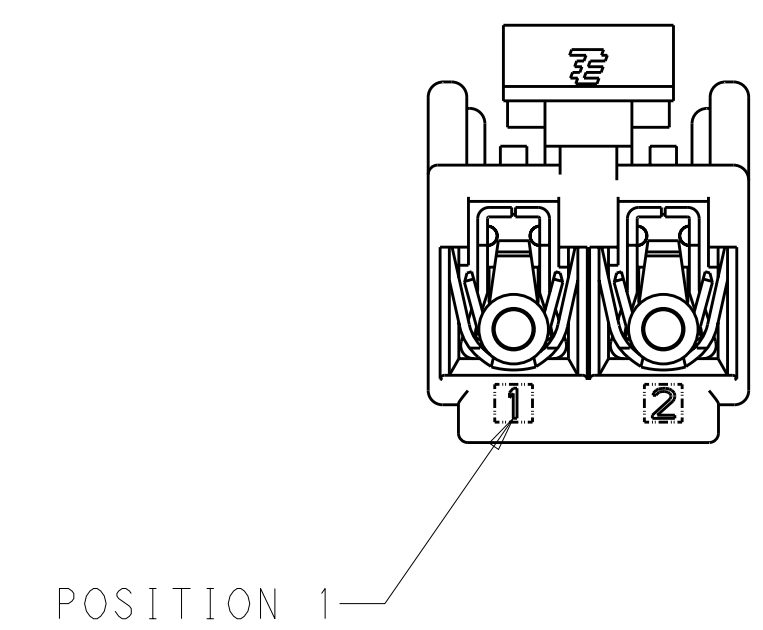
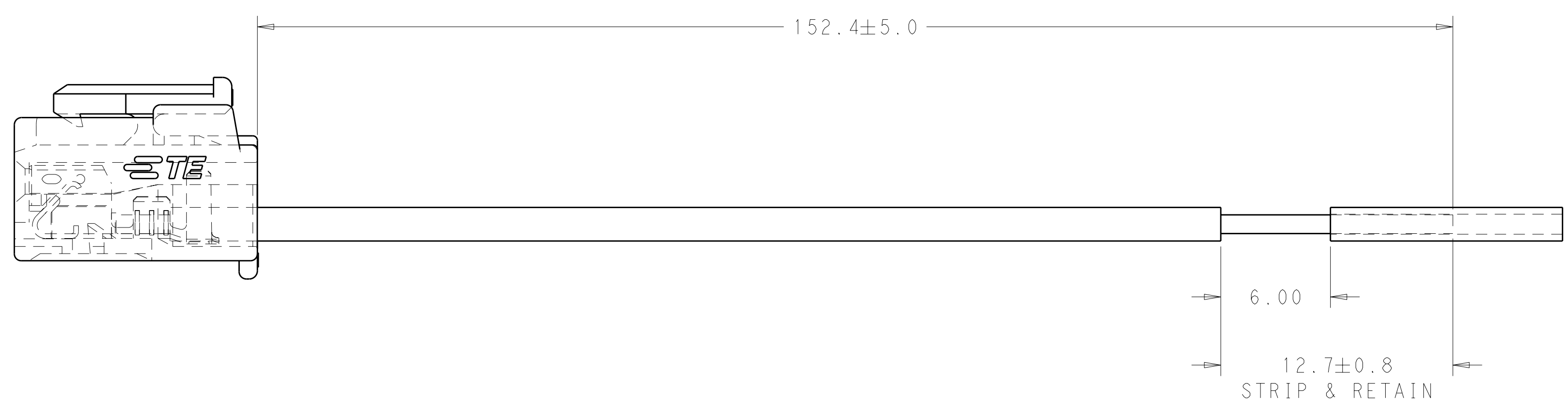
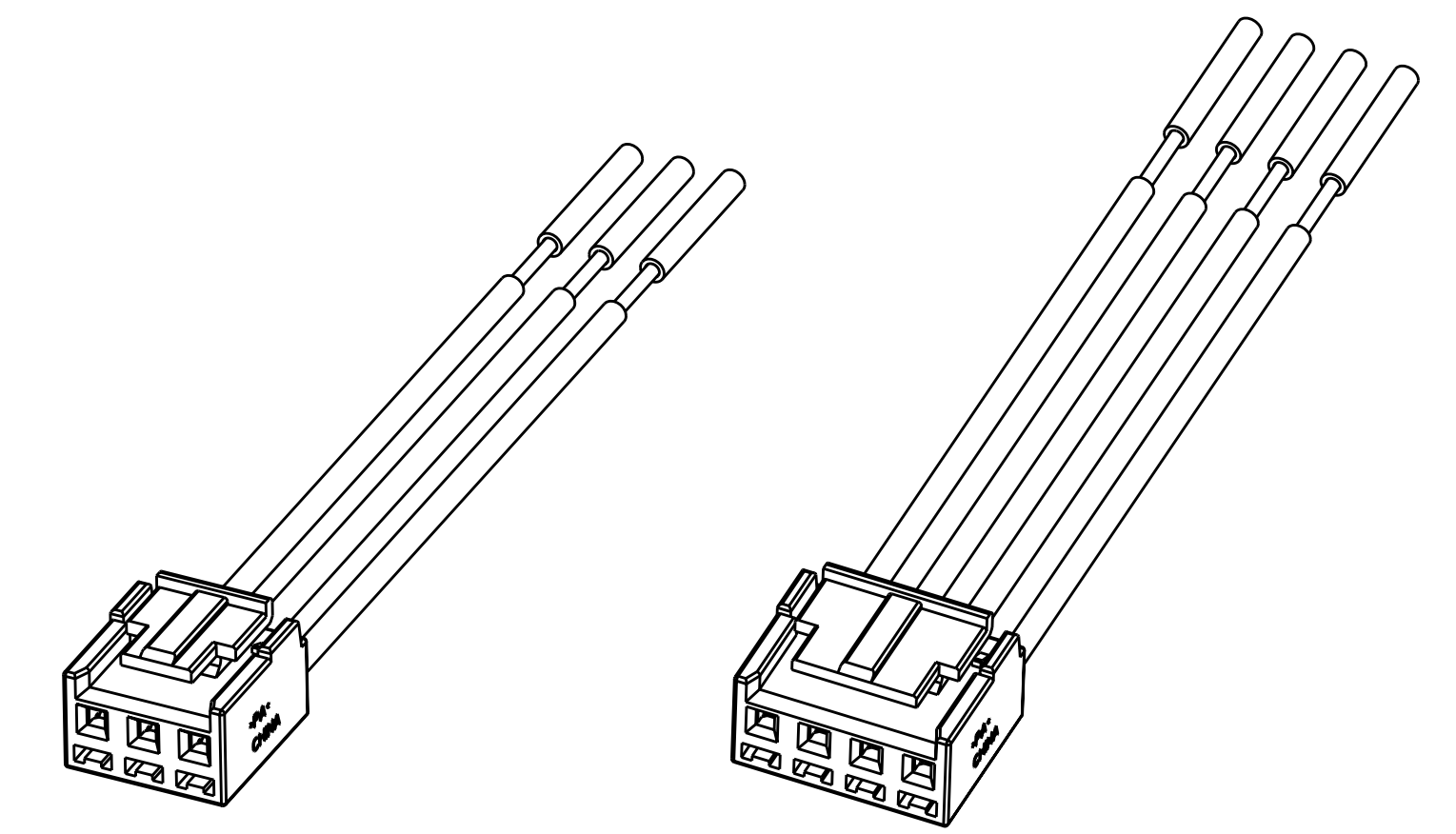
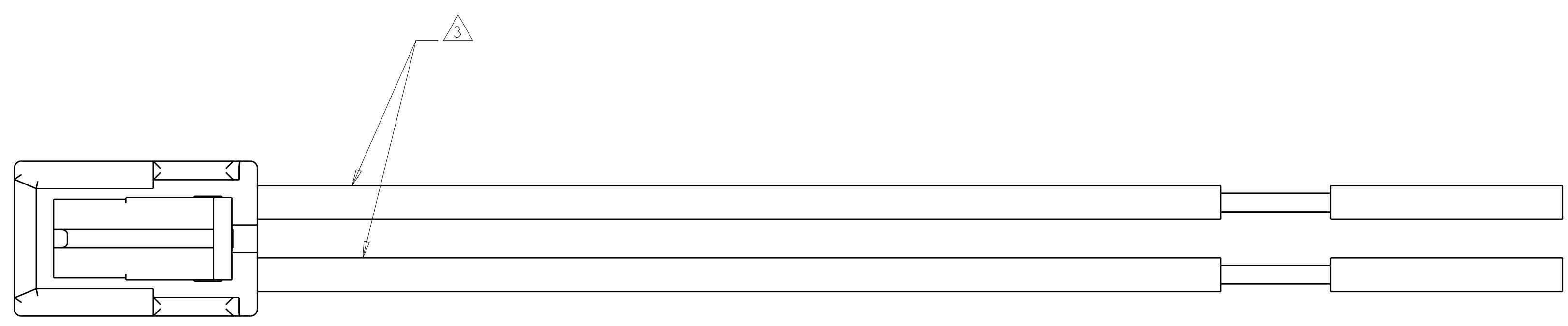


LOC		DIST		REVISIONS			
P	LTB	DESCRIPTION	DATE	DWN	APVD		
1		INITIAL RELEASE	03FEB2012	GIP	CG		
2		T-BLK TITLE UPDATE	09FEB2012	GIP	CG		
3		REMOVED DIM"L"	01MAY2012	GIP	CG		



P/N: 2154828-1 (2 POSITION)
 SCALE 5:1

WIRE COLOR CHART ³			
4	-	-	ORANGE
3	-	BLUE	BLUE
2	RED	RED	RED
1	BLACK	BLACK	BLACK
POSN.	WIRE COLOR		
PART NUMBER	-1	-2	-3

- ¹ MATERIALS AND FINISH:
 -HOUSING: PBT, COLOR: NATURAL
 -CONTACTS: COPPER ALLOY, FINISH: PRE-TIN
 -WIRE: 18AWG STRANDED, UL 1007 STYLE
- 2. MUST COMPLY WITH DIRECTIVE 2002/95/EC (RHOS)
- ³ REFER TO TABLE FOR WIRE COLORS
- ⁴ PENDING APPROVAL

4	2154828-3
3	2154828-2
2	2154828-1
NO. POSN.	PART NUMBER

THIS PRINT IS
PRELIMINARY
 UNQUALIFIED PRODUCT
 CONTACT PRODUCT ENGINEERING
 BEFORE USING THIS PRINT

THIS DRAWING IS A CONTROLLED DOCUMENT.		DWN: G. PETERS 03FEB2012	STE Connect (V1)	
DIMENSIONS: mm		CHK: C. GINGRICH 03FEB2012	CABLE ASSEMBLY, 18AWG WIRE, TO ECONOMY POWER II, PLUG, 3.96 PITCH	
TOLERANCES UNLESS OTHERWISE SPECIFIED:		APVD: C. GINGRICH	RESTRICTED TO	
0 PLC	±	PRODUCT SPEC	SIZE	CAGE CODE
1 PLC	±0.13	APPLICATION SPEC	A100779	C=2154828
2 PLC	±	WEIGHT	SCALE	1:1
3 PLC	±	CUSTOMER DRAWING	SHEET	1 OF 1
4 PLC	±		REV	3
ANGLES	±			
FINISH	-			