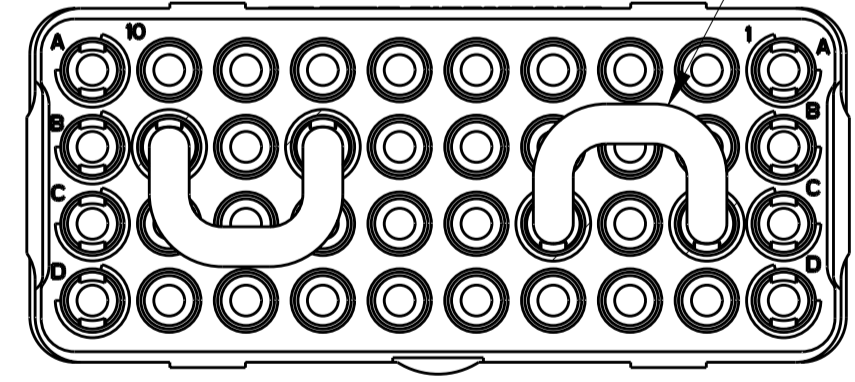
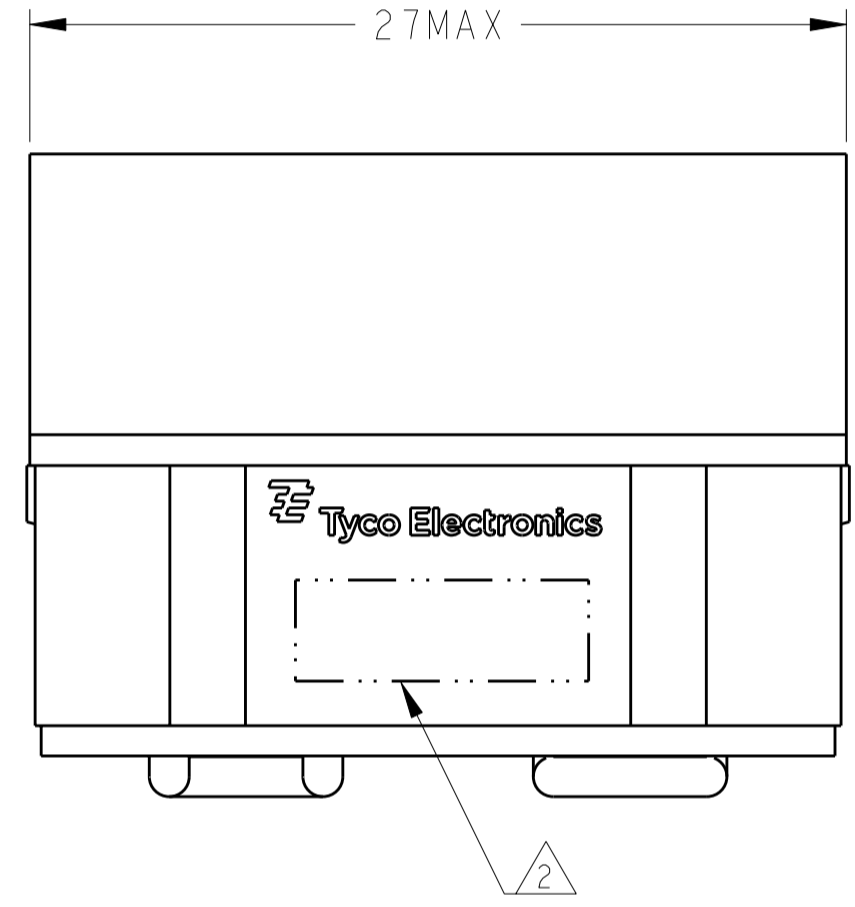
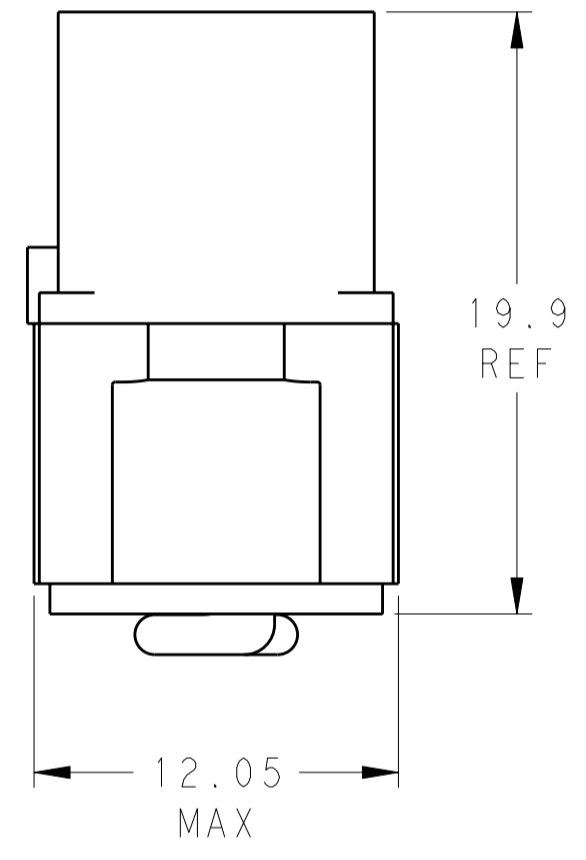
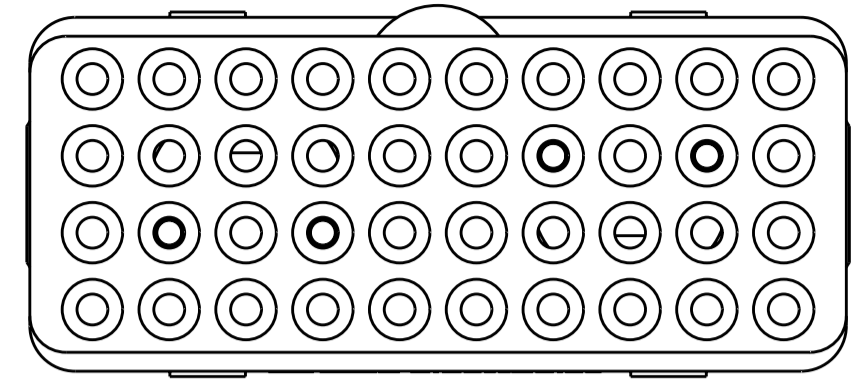


THIS DRAWING IS UNPUBLISHED. RELEASED FOR PUBLICATION
 © COPYRIGHT BY TYCO ELECTRONICS CORPORATION. ALL INTERNATIONAL RIGHTS RESERVED.

LOC		DIST		REVISIONS			
P	LTR	DESCRIPTION	DATE	DWN	APVD		
	B	REVISED JUMPER LOCATIONS	27JUL2010	CT	KH		



SIZE 22 JUMPER CABLE WITH SIZE 22 SOCKET CONTACTS 2 PLC

1 MATERIAL FRONT AND REAR INSULATORS: HIGH-TEMP THERMOPLASTIC OR THERMOSET EPOXY PER ASTM D5948 CONTACT RETENTION CLIPS: STAINLESS STEEL PER AISI 302 OR COPPER ALLOY PER ASTM B194.

2 TE PART NO. AND DATE CODE MARKED IN THIS AREA.

3. CRIMP SOCKET CONTACTS LOADED INTO POSITIONS A1, A10, B1, B10, C1, C10, D1 AND D10. JUMPERS WITH SOCKET CONTACTS LOADED IN POSITIONS B7 - B9 AND C2 - C4. REMAINING POSITIONS HAVE NO RETENTION CLIPS INSTALLED.

4. THIS PRODUCT IS SOLD BY Tyco ELECTRONICS UNDER A LICENSE FROM RADIALL SA.

2157057-1
PART NO.

THIS DRAWING IS A CONTROLLED DOCUMENT FOR TYCO ELECTRONICS CORPORATION IT IS SUBJECT TO CHANGE AND THE CONTROLLING ENGINEERING ORGANIZATION SHOULD BE CONTACTED FOR THE LATEST REVISION.		DWN C.C. THOMAS 27 JUL 2010	Tyco Electronics Corporation Harrisburg, PA 17105-3608	
DIMENSIONS: mm		CHK K. HOGAN 27 JUL 2010	NAME GPR INSERT JUMPER ASSY, 40 POSITION	
TOLERANCES UNLESS OTHERWISE SPECIFIED: 0 PLC ±- 1 PLC ±0.5 2 PLC ±0.13 3 PLC ±- 4 PLC ±- ANGLES ±- FINISH		APVD K. HOGAN 27 JUL 2010	RESTRICTED TO	
MATERIAL	1	PRODUCT SPEC	SIZE A200779	CAGE CODE C-2157057
CUSTOMER DRAWING		APPLICATION SPEC	SCALE 4:1	SHEET 1 OF 1
		WEIGHT	REV B	