

FIG. 1

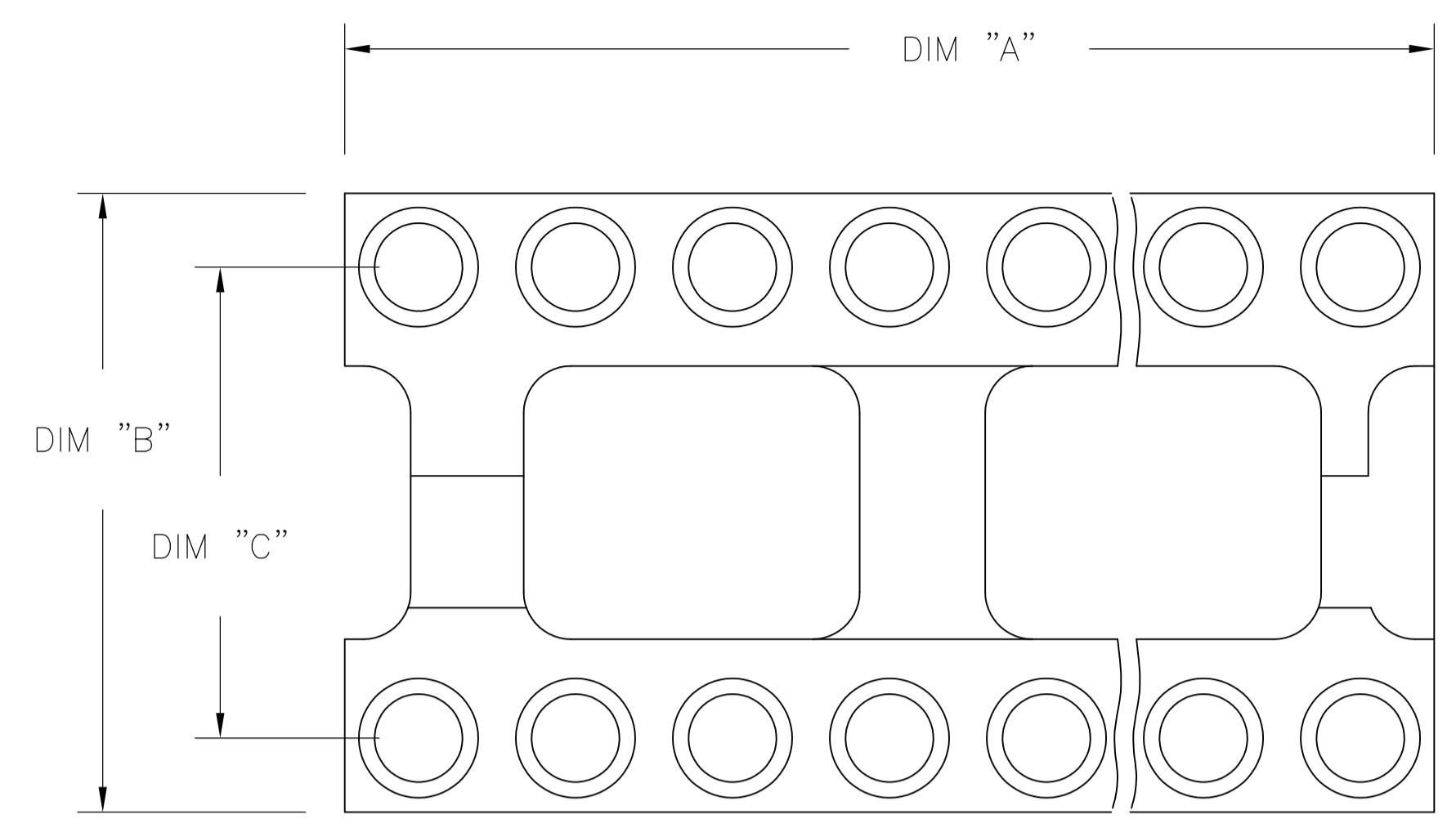


FIG. 2

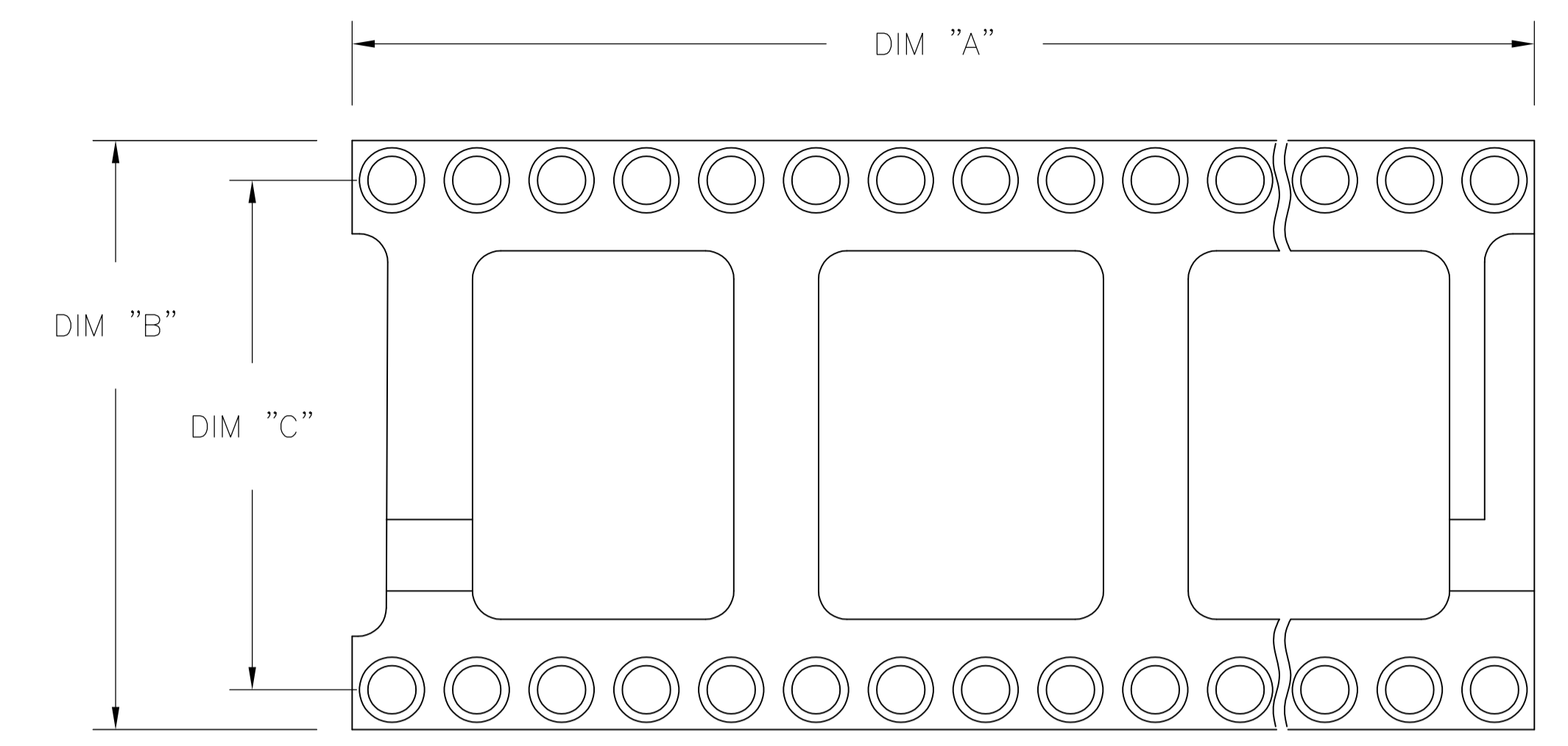
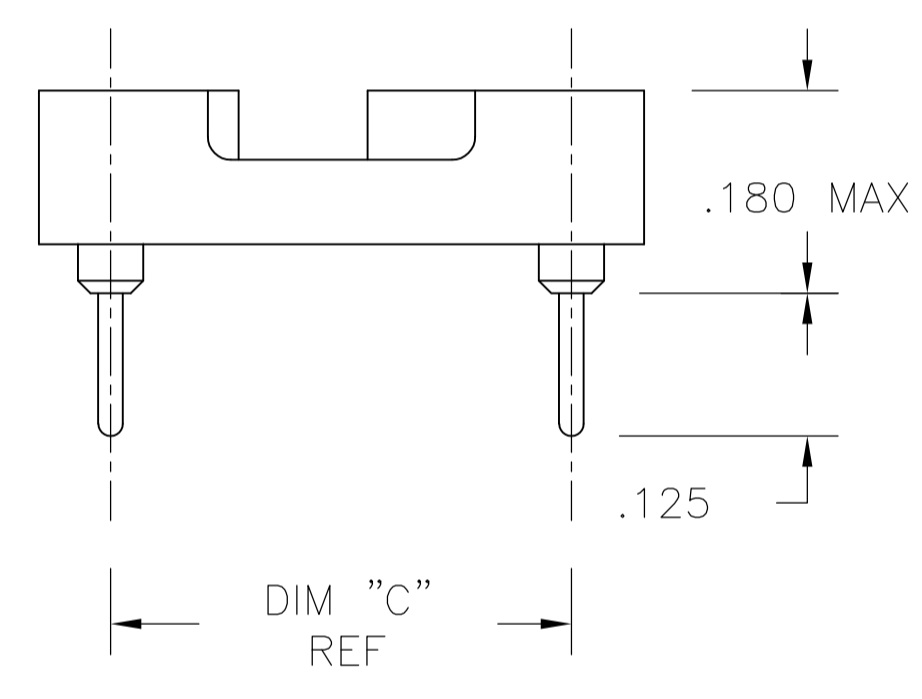
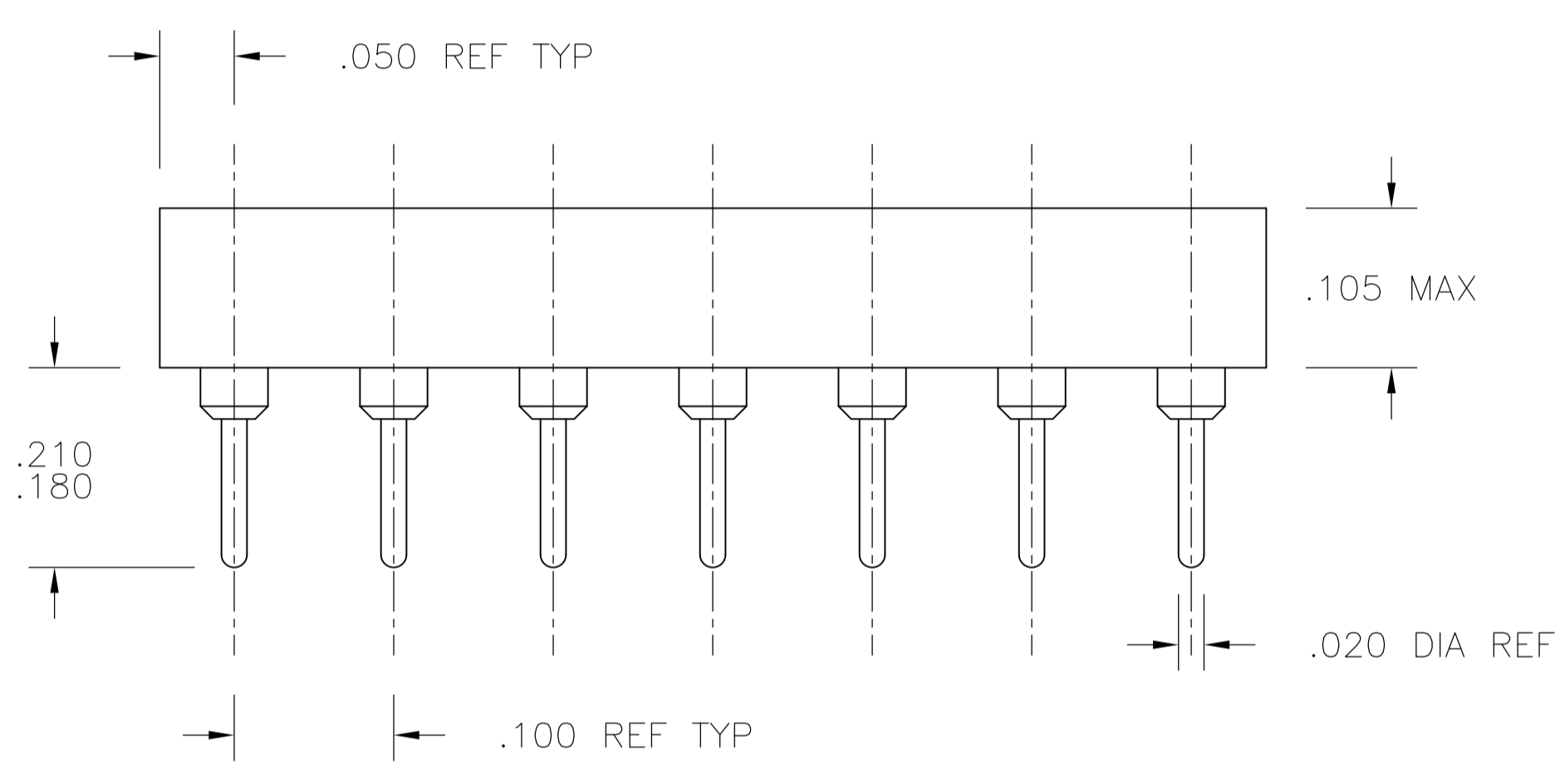
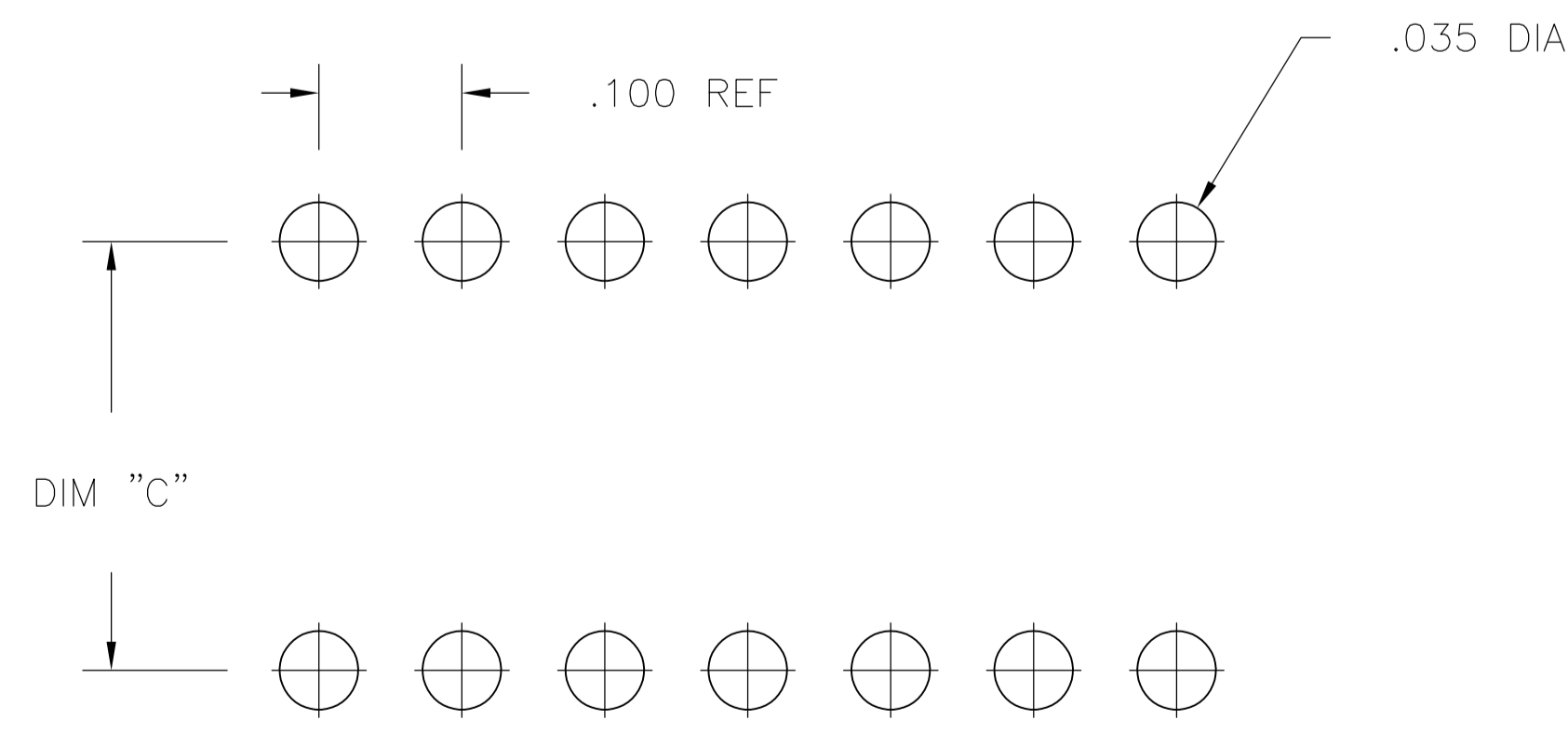


FIG. 3



1. INSULATOR MATERIAL - THERMOPLASTIC POLYESTER, PCT, BLACK, UL94 V-0
2. MACHINED CONTACT - BECU, PLATED WITH 80-200μ" TIN (LEAD FREE) OVER 75-100μ" COPPER.
3. SLEEVE - COPPER, PLATED WITH 180-340μ" THK TIN (LEAD FREE) OVER 75-125 MIN NICKEL.
4. MACHINED CONTACT - BECU, PLATED WITH 25μ" MIN. GOLD OVER 30-100μ" NICKEL.
5. ELECTRICAL:
 CONTACT RESISTANCE: 10 MILLIOHMS MAX
 CONTACT RATING: 3 AMPS
 CAPACITANCE: 1.0 pF PER MIL-STD-202, METHOD 305
 INSULATION RESISTANCE: 5000 OHMS MIN @ 500 VDC PER MIL-STD-1344, METHOD 3003.1
 DIELECTRIC WITHSTANDING VOLTAGE: 1000 VOLTS (RMS) PER MIL-STD-1344, METHOD 3001.1
6. MECHANICAL:
 INSERTION FORCE: 134 GRAMS AVG
 WITHDRAWAL FORCE: 63 GRAMS AVG
 "ACCEPTS IC PIN - .009"X.015" THROUGH .011"X.020", OR .016" TO .021" DIAMETER, .150/.105 LONG"
7. ENVIRONMENTAL:
 OPERATING TEMPERATURE: -55°C TO -105°C
8. OBSOLETE PARTS: OBSOLETE CIS STREAMLINING PER D.RENAUD/D.SINISI



P.C.B. HOLE LAYOUT
 TOLERANCE ±.003

| | | | | |
|--|--|--------------------------------|---|--|
| THIS DRAWING IS A CONTROLLED DOCUMENT. | | DIN T.KRAYBILL 07NOV03 | TE Connectivity | |
| DIMENSIONS: INCHES | | CHK K.WRIGHT | NAME: OPEN FRAME DIP, PREMIUM (MACHINE CONTACT), LEAD FREE (REF AUGAT 800 SERIES) | |
| TOLERANCES UNLESS OTHERWISE SPECIFIED: | | APVD K.WRIGHT | PRODUCT SPEC | |
| 0. PLC ± - | | APPLICATION SPEC | | |
| 1. PLC ± - | | SIZE: A1 | | |
| 2. PLC ± - | | CAGE CODE: 00779 | | |
| 3. PLC ± .005 | | DRAWING NO: 1571586 | | |
| 4. PLC ± - | | RESTRICTED TO: - | | |
| ANGLES ± - | | WEIGHT: - | | |
| MATERIAL: - | | FINISH: - | | |
| | | CUSTOMER DRAWING | | |
| | | SCALE: 4:1 SHEET 1 OF 2 REV B2 | | |

| | | | | | | | | | |
|-------------------------------|----------|------|-----|-----------|-------|-------|---|----|------------------------|
| $\triangle\triangle\triangle$ | OBSOLETE | GOLD | TIN | .400±.005 | .500 | 1.200 | 2 | 24 | 3-1571586-7 |
| $\triangle\triangle\triangle$ | | GOLD | TIN | .300±.005 | .400 | 1.200 | 2 | 24 | 3-1571586-6 |
| $\triangle\triangle\triangle$ | | GOLD | TIN | .900±.005 | 1.000 | 3.200 | 3 | 64 | 3-1571586-5 |
| $\triangle\triangle\triangle$ | | GOLD | TIN | .600±.005 | .700 | 2.400 | 3 | 48 | 3-1571586-4 |
| $\triangle\triangle\triangle$ | | GOLD | TIN | .600±.005 | .700 | 2.100 | 3 | 42 | 3-1571586-3 |
| $\triangle\triangle\triangle$ | | GOLD | TIN | .600±.005 | .700 | 2.000 | 3 | 40 | 3-1571586-2 |
| $\triangle\triangle\triangle$ | | GOLD | TIN | .600±.005 | .700 | 1.800 | 3 | 36 | 3-1571586-1 |
| $\triangle\triangle\triangle$ | | GOLD | TIN | .600±.005 | .700 | 1.600 | 3 | 32 | 3-1571586-0 |
| $\triangle\triangle\triangle$ | | GOLD | TIN | .600±.005 | .700 | 1.400 | 2 | 28 | 2-1571586-9 |
| $\triangle\triangle\triangle$ | | GOLD | TIN | .600±.005 | .700 | 1.200 | 2 | 24 | 2-1571586-8 |
| $\triangle\triangle\triangle$ | | GOLD | TIN | .400±.005 | .500 | 1.100 | 2 | 22 | 2-1571586-7 |
| $\triangle\triangle\triangle$ | | GOLD | TIN | .300±.005 | .400 | 1.000 | 2 | 20 | 2-1571586-6 |
| $\triangle\triangle\triangle$ | | GOLD | TIN | .300±.005 | .400 | .900 | 2 | 18 | 2-1571586-5 |
| $\triangle\triangle\triangle$ | | GOLD | TIN | .300±.005 | .400 | .800 | 2 | 16 | 2-1571586-4 |
| $\triangle\triangle\triangle$ | | GOLD | TIN | .300±.005 | .400 | .700 | 2 | 14 | 2-1571586-3 |
| $\triangle\triangle\triangle$ | | GOLD | TIN | .300±.005 | .400 | .400 | 1 | 8 | 2-1571586-2 |
| $\triangle\triangle\triangle$ | | TIN | TIN | .400±.005 | .500 | 1.200 | 2 | 24 | 1-1571586-7 |
| $\triangle\triangle\triangle$ | | TIN | TIN | .300±.005 | .400 | 1.200 | 2 | 24 | 1-1571586-6 |
| $\triangle\triangle\triangle$ | OBSOLETE | TIN | TIN | .900±.005 | 1.000 | 3.200 | 3 | 64 | 1-1571586-5 |
| $\triangle\triangle\triangle$ | OBSOLETE | TIN | TIN | .600±.005 | .700 | 2.400 | 3 | 48 | 1-1571586-4 |
| $\triangle\triangle\triangle$ | OBSOLETE | TIN | TIN | .600±.005 | .700 | 2.100 | 3 | 42 | 1-1571586-3 |
| $\triangle\triangle\triangle$ | OBSOLETE | TIN | TIN | .600±.005 | .700 | 2.000 | 3 | 40 | 1-1571586-2 |
| $\triangle\triangle\triangle$ | OBSOLETE | TIN | TIN | .600±.005 | .700 | 1.800 | 3 | 36 | 1-1571586-1 |
| $\triangle\triangle\triangle$ | | TIN | TIN | .600±.005 | .700 | 1.600 | 3 | 32 | 1-1571586-0 |
| $\triangle\triangle\triangle$ | OBSOLETE | TIN | TIN | .600±.005 | .700 | 1.400 | 2 | 28 | 1571586-9 |
| $\triangle\triangle\triangle$ | OBSOLETE | TIN | TIN | .600±.005 | .700 | 1.200 | 2 | 24 | 1571586-8 |
| $\triangle\triangle\triangle$ | OBSOLETE | TIN | TIN | .400±.005 | .500 | 1.100 | 2 | 22 | 1571586-7 |
| $\triangle\triangle\triangle$ | | TIN | TIN | .300±.005 | .400 | 1.000 | 2 | 20 | 1571586-6 |
| $\triangle\triangle\triangle$ | OBSOLETE | TIN | TIN | .300±.005 | .400 | .900 | 2 | 18 | 1571586-5 |
| $\triangle\triangle\triangle$ | OBSOLETE | TIN | TIN | .300±.005 | .400 | .800 | 2 | 16 | 1571586-4 |
| $\triangle\triangle\triangle$ | OBSOLETE | TIN | TIN | .300±.005 | .400 | .700 | 2 | 14 | 1571586-3 |
| $\triangle\triangle\triangle$ | | TIN | TIN | .300±.005 | .400 | .400 | 1 | 8 | 1571586-2 |

| | | | | | | |
|----------------|---------|---------|---------|-----|-------------|----------|
| FINISH | "C" MAX | "B" MAX | "A" MAX | FIG | NO. OF POSN | PART NO. |
| CONTACT/SLEEVE | | | | | | |

| | | | | |
|--|---|-------------------------|-----------------|---|
| THIS DRAWING IS A CONTROLLED DOCUMENT. | | DIN T. KRAYBILL 07NOV03 | TE Connectivity | |
| DIMENSIONS: INCHES | TOLERANCES UNLESS OTHERWISE SPECIFIED: | CHK K. WRIGHT | NAME | OPEN FRAME DIP, PREMIUM (MACHINE CONTACT), LEAD FREE (REF AUGAT 800 SERIES) |
| | 0. PLC ± - 1. PLC ± - 2. PLC ± - 3. PLC ± .005 4. PLC ± - ANGLES ± - | APPV K. WRIGHT | PRODUCT SPEC | |
| MATERIAL | FINISH | APPLICATION SPEC | SIZE | A1 |
| | | WEIGHT | CAGE CODE | 00779 |
| | | | DRAWING NO | 1571586 |
| | | CUSTOMER DRAWING | SCALE | 1:1 |
| | | | SHEET | 2 OF 2 |
| | | | REV | B2 |