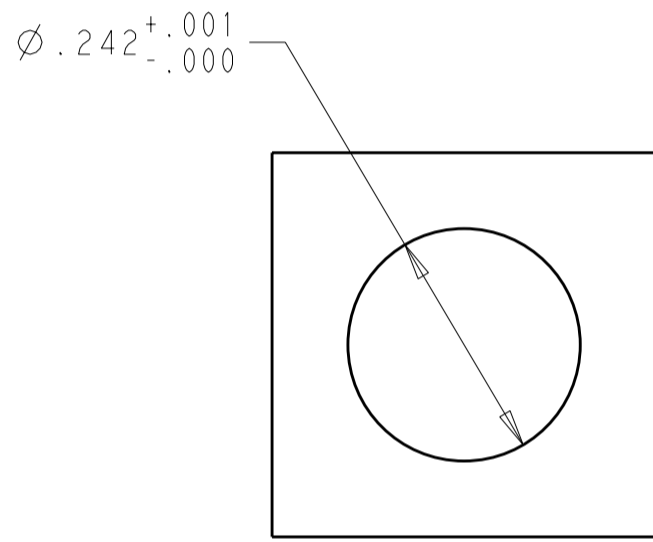


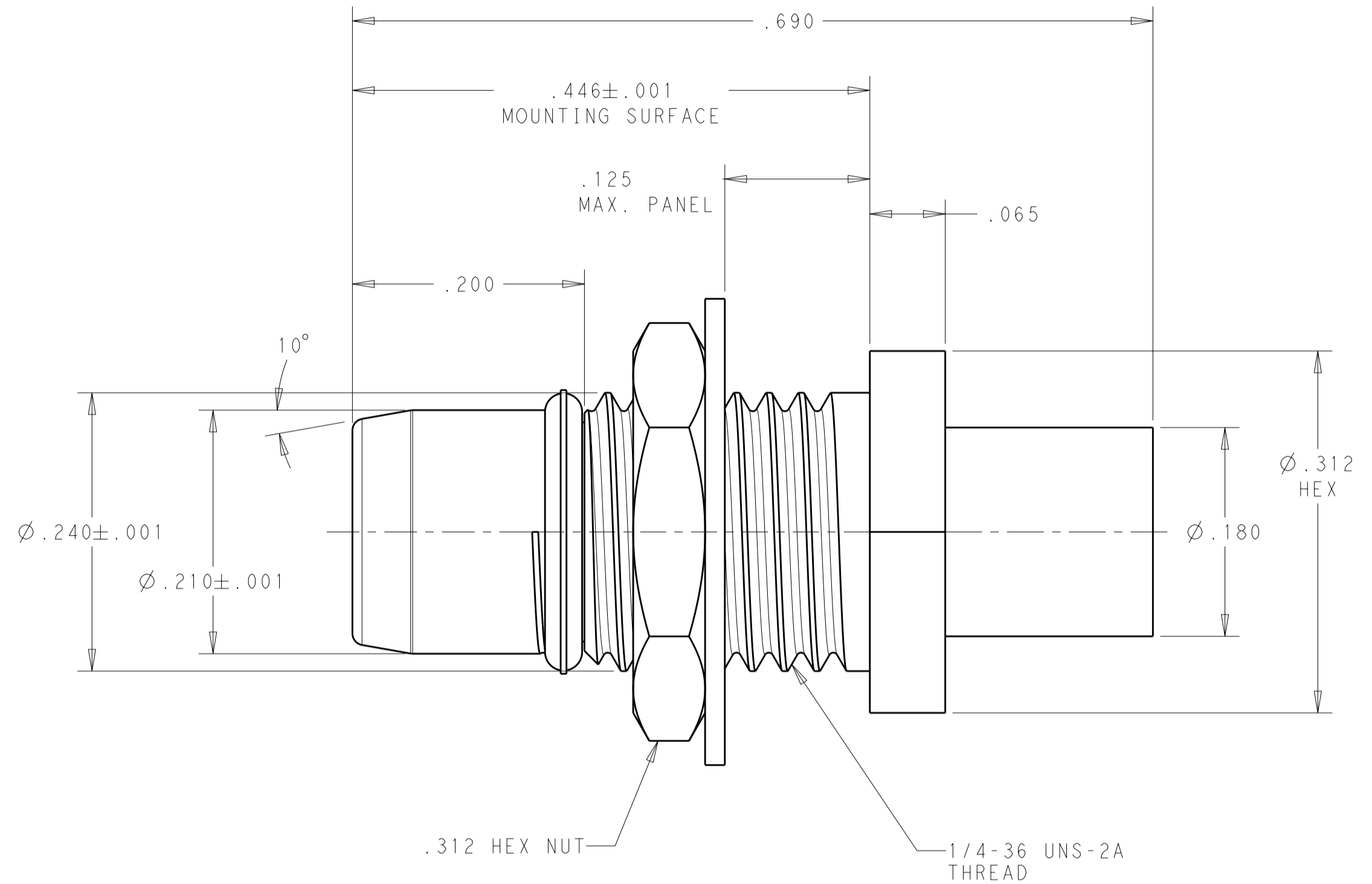
THIS DRAWING IS UNPUBLISHED. RELEASED FOR PUBLICATION 20		
COPYRIGHT 20 BY - ALL RIGHTS RESERVED.		
HOUSING MOUNTING NUT LOCKWASHER	STAINLESS STEEL PER ASTM-A484 AND ASTM A582, TYPE 303	GOLD PLATE PER ASTM-B-488
DIELECTRIC	TFE FLOUROCARBON PER ASTM-D-1457	N/A
CENTER CONTACT	BERYLLIUM COPPER PER ASTM-B-196 OR ASTM-B-197 ALLOY C17300, CONDITION H	GOLD PLATE PER ASTM-B-488
O-RING	SILICONE RUBBER PER ZZ-R-765	N/A
COMPONENT	MATERIAL	FINISH

1. FOR USE WITH RG-402/U
(.141) SEMI-RIGID CABLE.

REVISIONS						
LOC	DIST	P	LTR	DESCRIPTION	DATE	APVD
-	-	B		RELEASED PER ECO 12-001476	1-24-12	CT WM



RECOMMENDED
MOUNTING HOLE
SCALE 5:1



ELECTRICAL	MECHANICAL	ENVIRONMENTAL
NOM. IMPEDANCE (OHMS) 50 ±1	Interface Dimensions MIL-STD-348, FIG. 321-1	TEMP. RATING -65° TO +125°C
Freq. Range (GHz) DC to 22	Mating Characteristics:	Vibration MIL-STD-202, Method 204, Condition D
Volt Rating (VRMS MAX) @ Sea Level 500	Insertion (MAX Lbs) 3	Shock MIL-STD-202, Method 213 Condition 1
VSWR 1.02±.005f(GHz) DC to 18 GHz	Withdrawal (MIN Oz) 1	Thermal Shock MIL-STD-202, Method 107, Condition B
1.02±.009f(GHz) DC to 22 GHz	Force to Engage (In-Lbs MAX) 3	Moisture Resistance MIL-STD-202 Method 106
Insertion Loss (db Max) .03x SORT.f(GHz)	& Disengage (In-Lbs MAX) 1.5	Corrosion - MIL-STD-202, Method 101, Condition B
RF Leakage (db MIN) (Interface Only, Fully Mated) -(90-f(GHz))	Center Contact Captivation Axial (Lbs) 6	
Corona, 70,000Ft. (VRMS MIN) 375	Cable Retention Axial force (Lbs MIN) 60	
Dielectric Withstanding Voltage (VRMS MIN)@ Sea Level 1500	Torque (In-Oz MIN) 55	
Contact Resistance (Milliohms MAX)	Weight (Grams) 2.7	
Center Contact 2.0		
Outer Contact 2.0		
Cable to Housing 0.5		
RF High Potential @ Sea Level (VRMS MIN @ 5MHz) 1000		
IR (Megohms MIN) 5000		

2157407-1
PART NO.

THIS DRAWING IS A CONTROLLED DOCUMENT.		DWN RJM3 11FEB2011	TE Connectivity	
DIMENSIONS: INCHES		CHK WM 11FEB2011		
TOLERANCES UNLESS OTHERWISE SPECIFIED:		APVD WM 11FEB2011	NAME OSP BULKHEAD FEEDTHROUGH CABLE PLUG DIRECT SOLDER ATTACHMENT	
0 PLC ±.1		PRODUCT SPEC	SIZE CAGE CODE DRAWING NO RESTRICTED TO	
1 PLC ±.02		APPLICATION SPEC	A200779 C-2157407	
2 PLC ±.005		408-8259	SCALE 10:1 SHEET 1 OF 1 REV B	
3 PLC ±.0005		WEIGHT -		
4 PLC ±.0005		CUSTOMER DRAWING		
ANGLES ±2°				
FINISH				
SEE TABLE				
SEE TABLE				