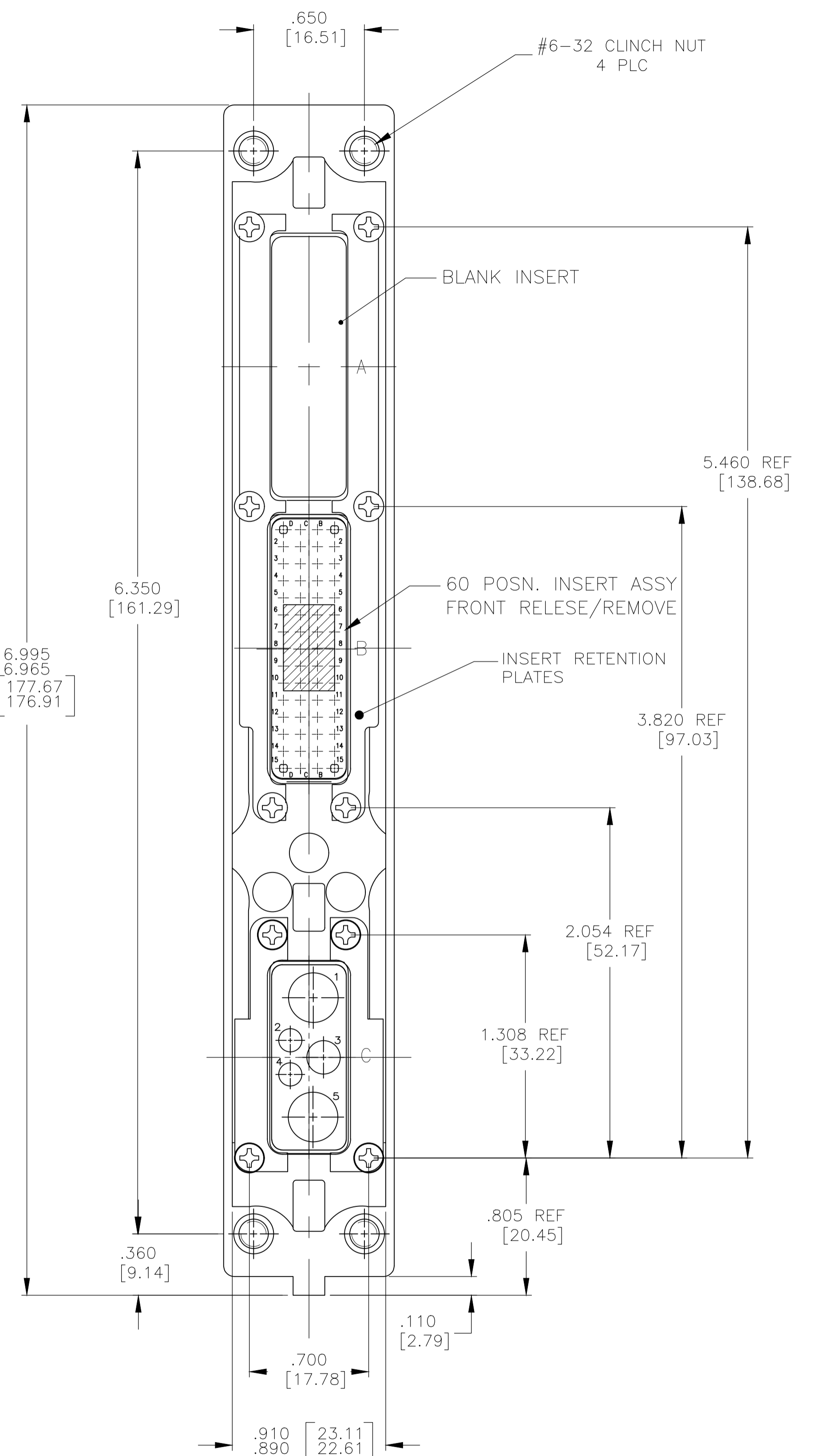
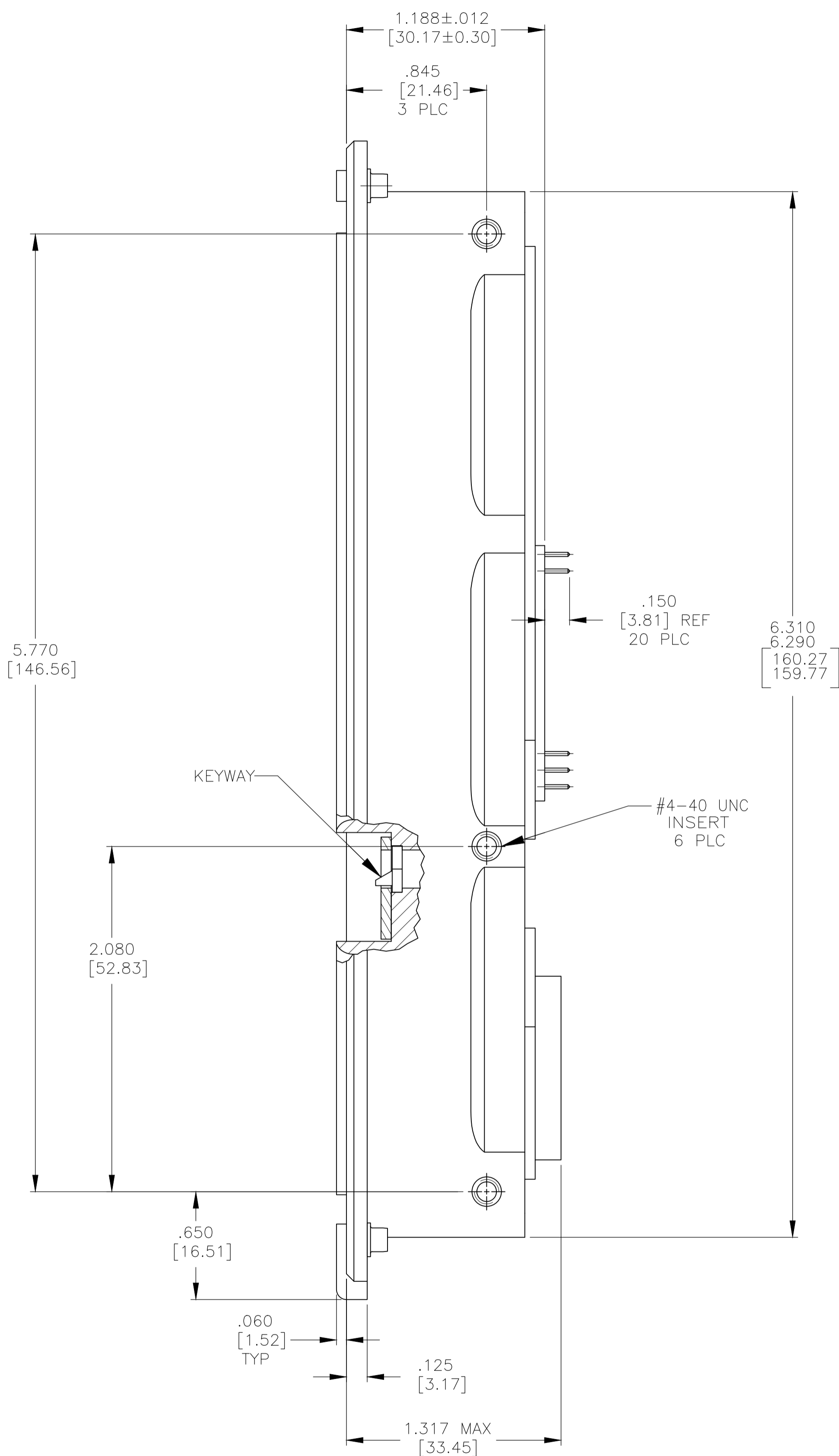
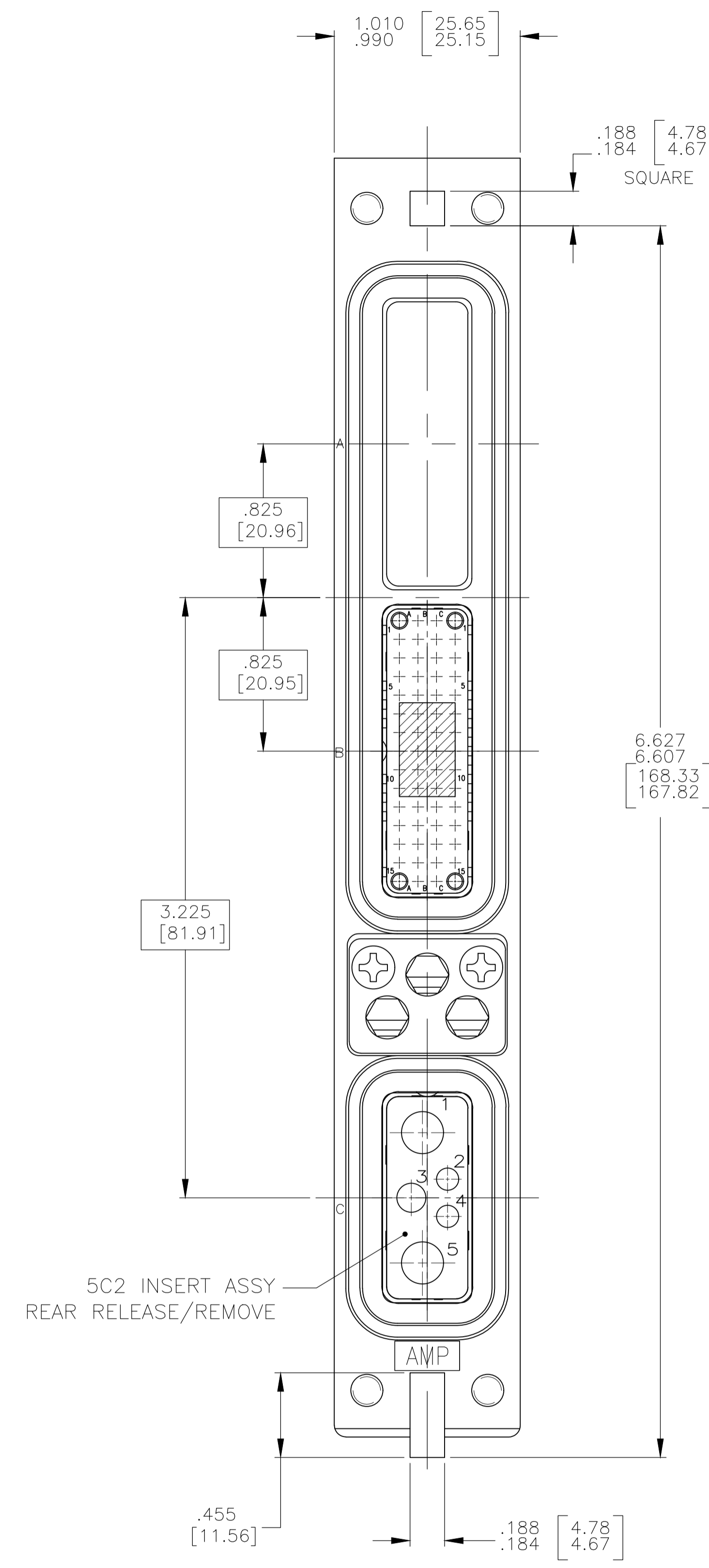


REVISIONS				
P	LTR	DESCRIPTION	DATE	APP'D
C		REVISED PER ECO-17-015513	19DEC2017	PHM CT



- CONNECTOR DIMENSIONS ARE PER ARINC 600 SPECIFICATION
- KEYING SHOWN IN POSITION "01" FOR REFERENCE ONLY. SEE TABLE FOR KEYING POSITION. FOR POSITION "00" KEYING SHIPPED UNASSEMBLED.
- FOLLOWING CONTACTS AND PLUGS ARE INCLUDED AND LOADED:  
 SIZE 22 SOCKET CONTACT: TE P/N 211431-2; QTY: 20  
 LOADED IN ROWS 1, 2, 13, 14 & 15  
 SIZE 22 FILLER PLUG: TE P/N 1663767-1; QTY: 40  
 LOADED IN ROWS 3 THRU 12
- FOLLOWING CONTACTS AND PLUGS ARE INCLUDED AND NOT LOADED:  
 SIZE 16 PIN CONTACT: TE P/N 208268-3; QTY: 2  
 SIZE 12 PIN CONTACT: TE P/N 208271-3; QTY: 1  
 SIZE 5 FILLER PLUG: TE P/N 1663132-1; QTY: 2
- DUST COVER (NOT SHOWN) INSTALLED FOR SHIPPING.

COMPONENT	MATERIAL	FINISH
SHELL	DIE CAST ALUMINUM PER ASTM-B-85	ELECTROLESS NICKEL PER MIL-C-26074 CLASS 4, GRADE B
RETENTION PLATES	ALUMINUM ALLOY PER ASTM-B-209	ELECTROLESS NICKEL PER MIL-C-26074 CLASS 4, GRADE B
SCREWS	STEEL OR STAINLESS STEEL	PASSIVATED
POLARIZING KEYS	ZINC ALLOY PER ASTM-B-86	-
POLARIZING KEY RETAINING PLATE	ALUMINUM ALLOY PER ASTM-B-209	BLUE ANODIZED PER MIL-A-8625
INSERTS	THERMOSET	-

THIS DRAWING IS A CONTROLLED DOCUMENT.

DIMENSIONS: INCHES

TOLERANCES UNLESS OTHERWISE SPECIFIED:  
 0 PLC ± -  
 1 PLC ± -  
 2 PLC ± -  
 3 PLC ± .005 (0.13)  
 4 PLC ± -  
 ANGLES ± -

MATERIAL SEE TABLE FINISH SEE TABLE

DIN C.C.THOMAS 7-18-11 CHK W.BERNHART 7-18-11 APVD W.BERNHART 7-18-11 PRODUCT SPEC APPLICATION SPEC WEIGHT CUSTOMER DRAWING	NAME RCPT ASSY, SIZE 1, ARINC 600 (BLANK/60/5C2)	SIZE A1 CASE CODE 00779 DRAWING NO. 2157640 SCALE 2:1 SHEET 1 OF 1 REV C
---	---	---

"52"	2157640-1
KEYING POSITION	PART NUMBER

