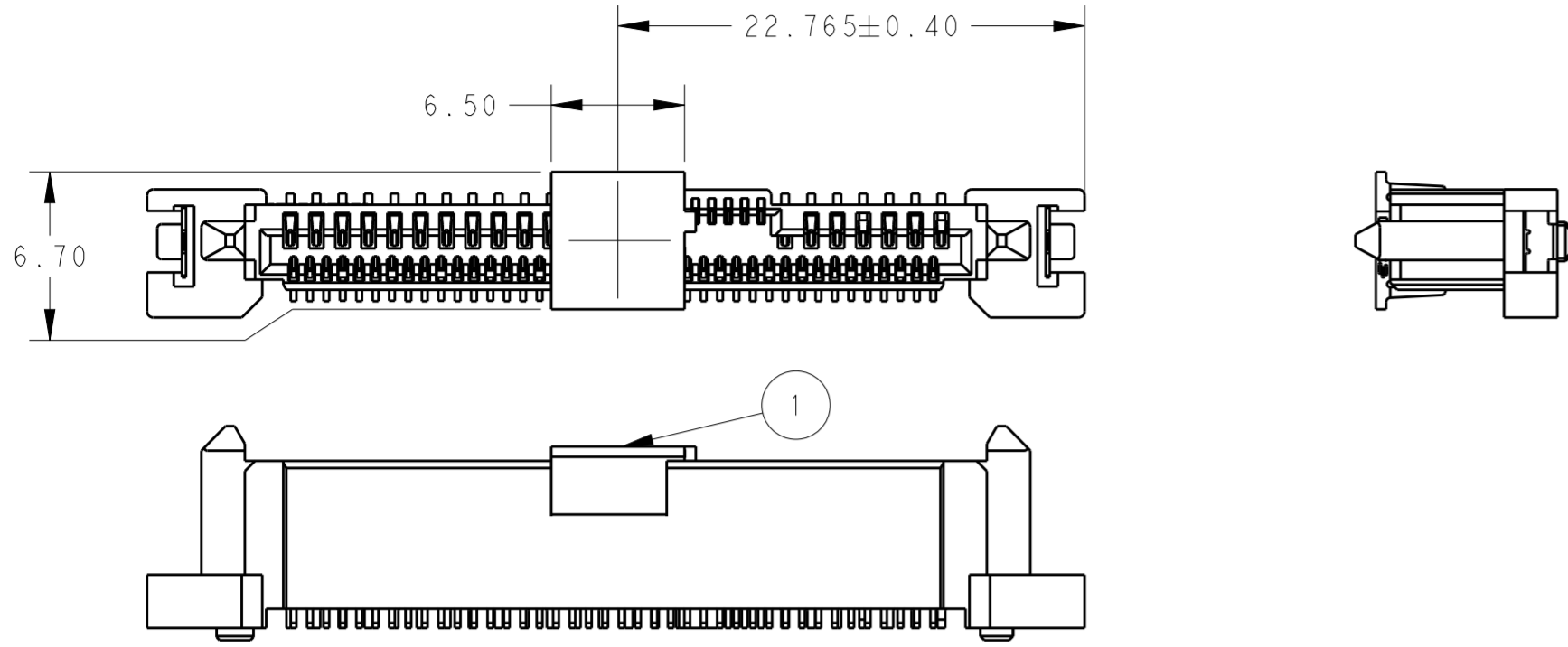
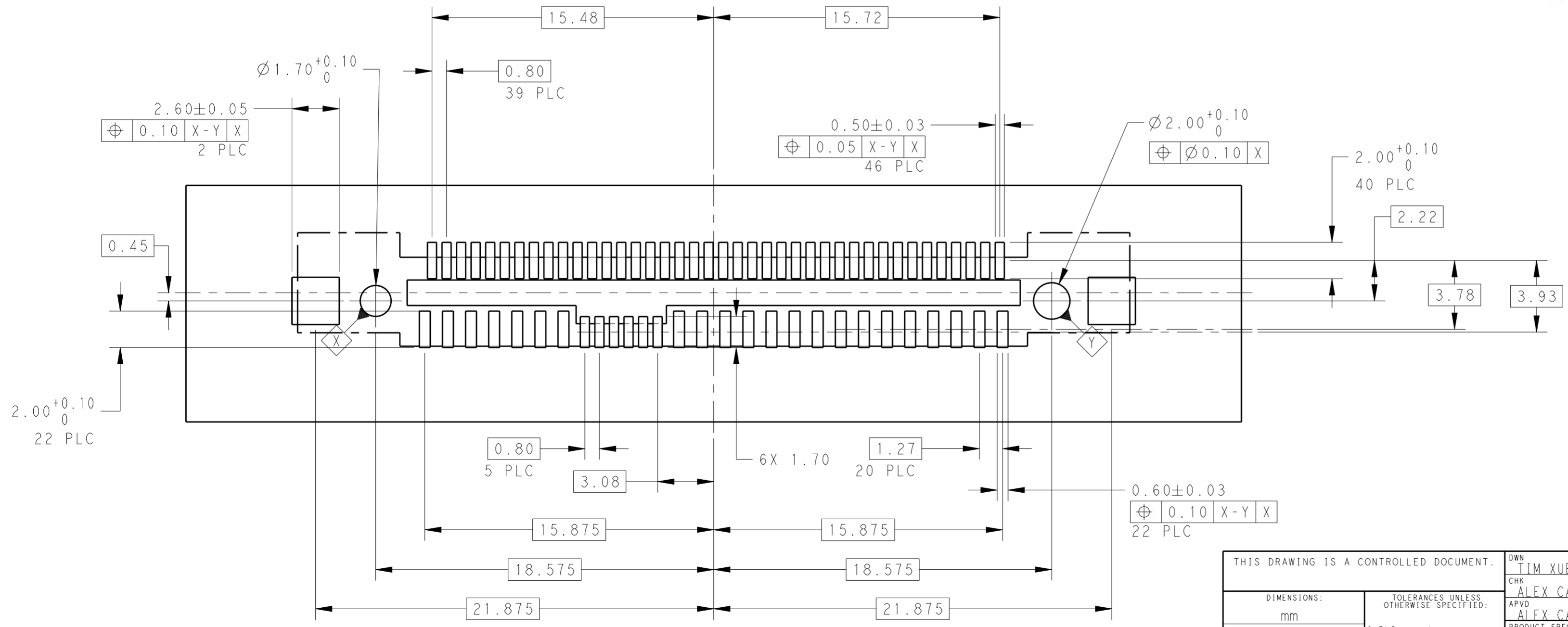
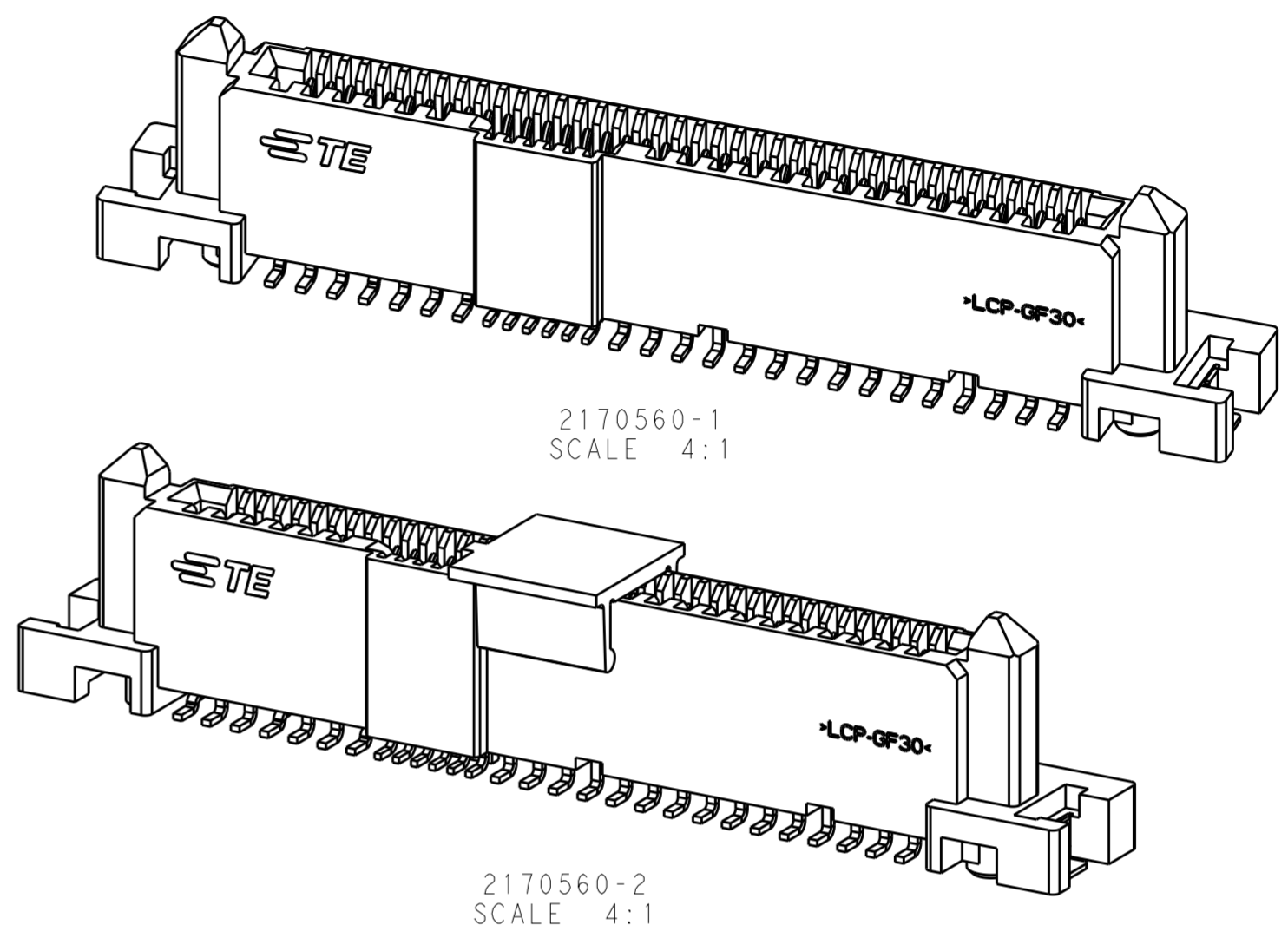


THIS DRAWING IS UNPUBLISHED. RELEASED FOR PUBLICATION 20
 © COPYRIGHT 2012 ALL RIGHTS RESERVED.

LOC		DIST		REVISIONS			
P	LTR	DESCRIPTION	DATE	DWN	APVD		
-	-	SEE SHEET 11	-	-	-		



P/N:2170560-2 AS SHOWN
 RECEPTACLE WITH PICK-UP CAP



RECOMMENDED RECEPTACLE BOARD LAYOUT
 SCALE 5:1

DESIGN APPROVED THIS PRINT IS
PRELIMINARY
 TO FIRST PIECE APPROVAL
 CONTACT PRODUCT ENGINEERING
 BEFORE USING THIS PRINT

THIS DRAWING IS A CONTROLLED DOCUMENT.		DWN	TIM XUE	20 JUN 2013	TE Connectivity	NAME		12G SAS/PCIe COMBO RECEPTACLE, STANDARD 15P+7P+6P+40P		
DIMENSIONS: mm		CHK	ALEX CAI	20 JUN 2013		PRODUCT SPEC		SIZE	CAGE CODE	DRAWING NO
TOLERANCES UNLESS OTHERWISE SPECIFIED:		APVD	ALEX CAI	20 JUN 2013		APPLICATION SPEC		A200779	C-2170560	RESTRICTED TO
0 PLC ± 1 PLC ±0.20 2 PLC ±0.20 3 PLC ±0.20 4 PLC ± ANGLES ±3° FINISH		WEIGHT		SCALE		SHEET		REV		
MATERIAL		Customer Drawing		2:1		2 of 2		2		