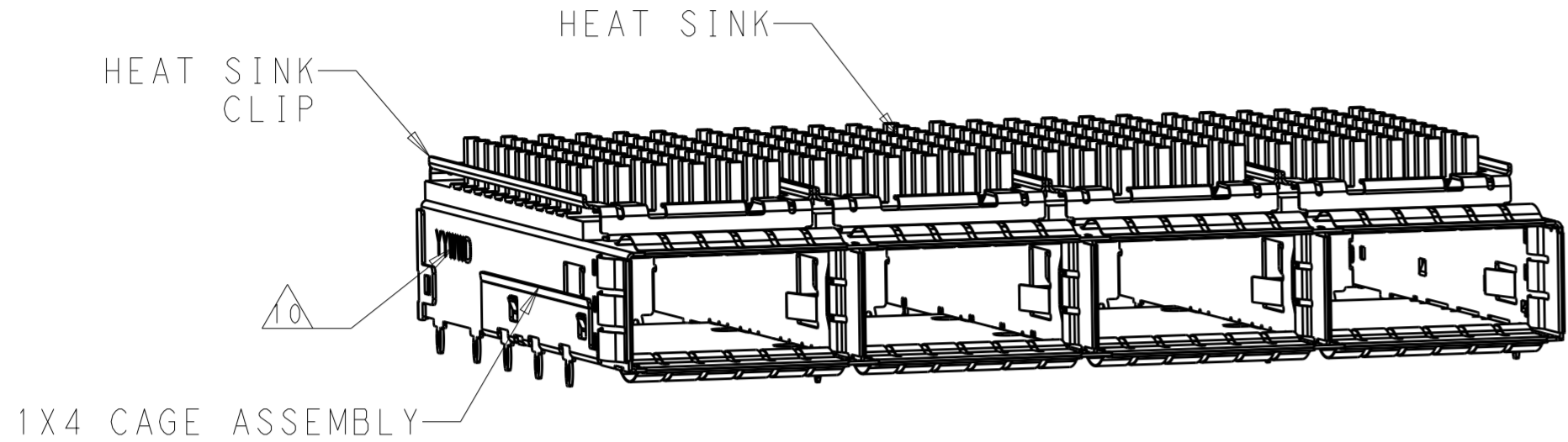


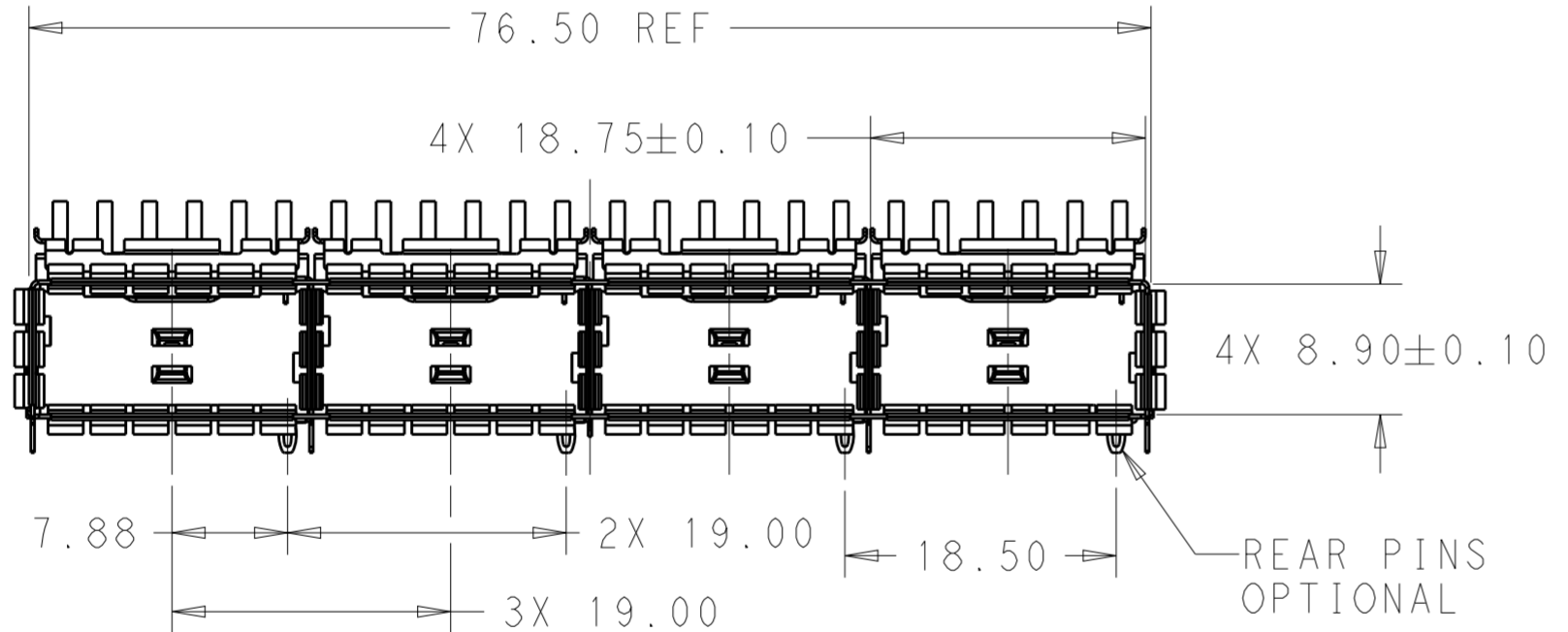
THIS DRAWING IS UNPUBLISHED. RELEASED FOR PUBLICATION 20
 © COPYRIGHT 20 BY - ALL RIGHTS RESERVED.

REVISIONS				
P	LTR	DESCRIPTION	DATE	APVD
A		INITIAL RELEASE	02FEB2016	JY SH
B		REVISED PER ECO-17-007422	23MAY2017	JY SH
C		REVISED PER ECO-17-011898	15AUG2017	JY SH

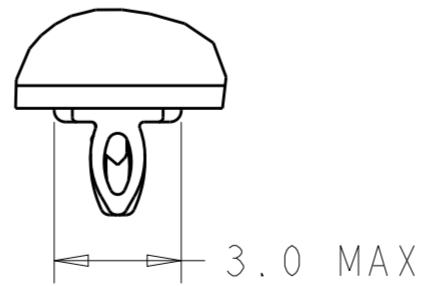
- COMPONENTS
 CAGE ASSEMBLY: NICKEL-SILVER ALLOY
 HEAT SINK: ALUMINUM/BLACK ANODIZE
 HEAT SINK CLIP: STAINLESS STEEL
 EMI SPRING: COPPER ALLOY/NICKEL PLATE
- REFERENCE APPLICATION SPECIFICATION 114-32023 FOR RECOMMENDED DRILL HOLE DIAMETER AND PLATING THICKNESS
- DATUM AND BASIC DIMENSION ESTABLISHED BY CUSTOMER
- DIMENSION APPLIES WITH MODULE INSERTED IN CAGE
- HEAT SINKS, HEAT SINK CLIPS AND LIGHT PIPES ARE SHIPPED ASSEMBLED ON CAGE
- MINIMUM PC BOARD THICKNESS: SINGLE SIDED: 1.57 MIN
 DOUBLE SIDED: 2.20 MIN
- DATUM -A- IS TOP SURFACE OF THE HOST BOARD.
- THESE HOLES ARE OPTIONAL WHEN THE REAR PINS ARE REMOVED.
- MATES WITH QSFP28 MSA COMPATIBLE TRANSCEIVER.
- DATE CODE (YYWWD) MARKED APPROXIMATELY AS SHOWN.
- PN 2170745-7 IS RESTRICTED TO GOOG.



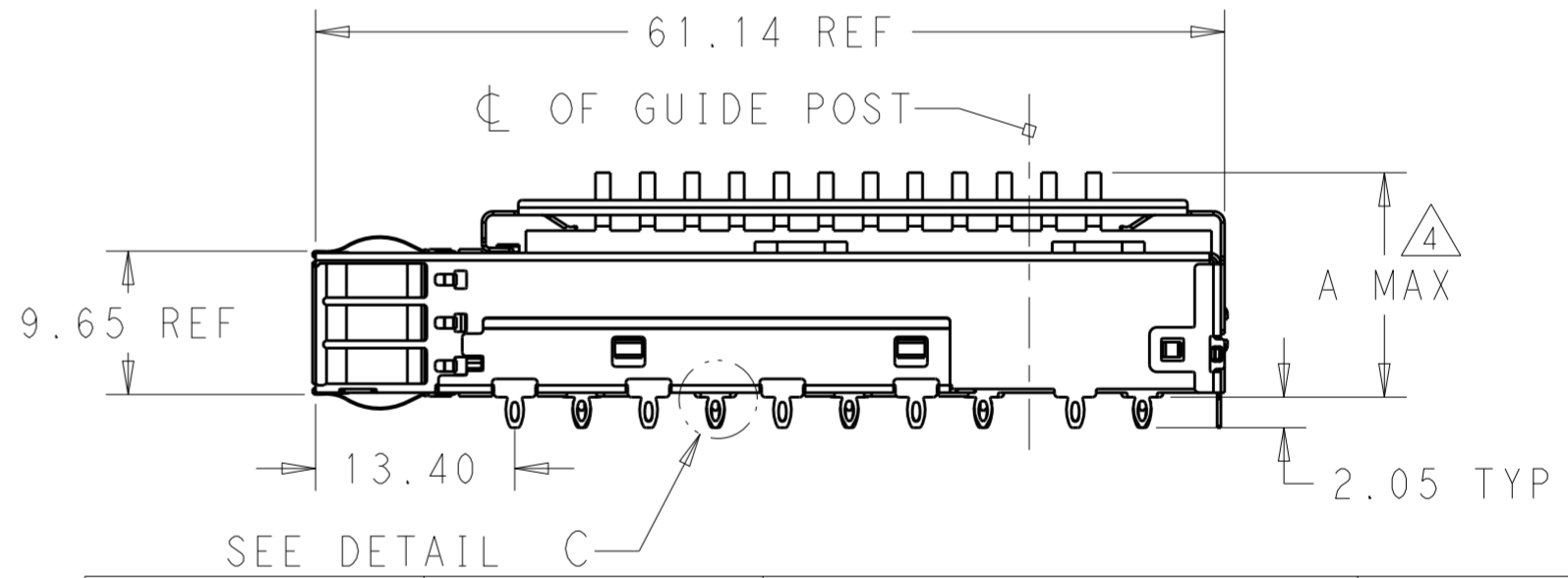
2170745-2 AS SHOWN
 SCALE 2:1



SCALE 2:1



DETAIL C
 SCALE 6:1

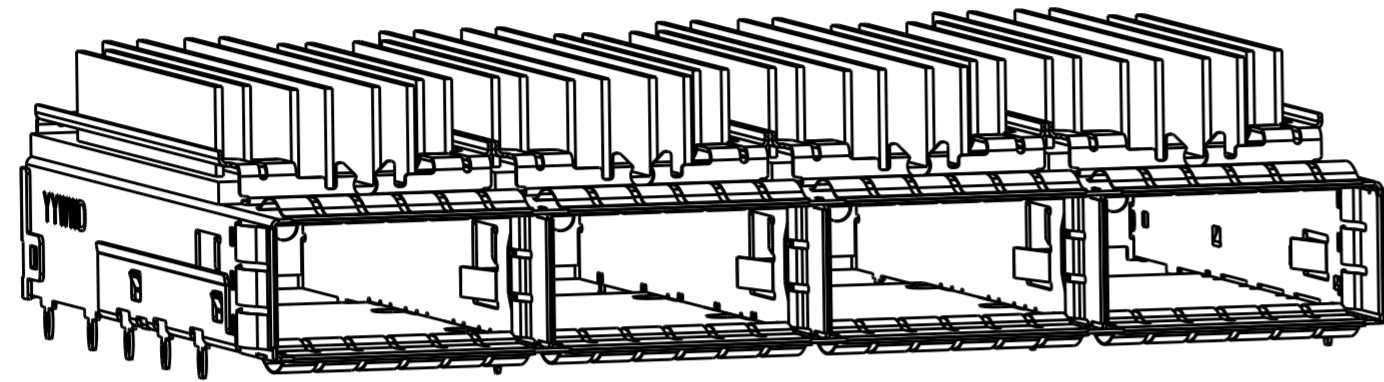


16.0	WITHOUT	SAN, FIN TYPE	2170745-8
18.05	WITHOUT	CUSTOMIZED, FIN TYPE	2170745-7
23.0	WITHOUT	NETWORKING, PIN TYPE	2170745-6
16.0	WITHOUT	SAN, PIN TYPE	2170745-5
13.7	WITHOUT	PCI, PIN TYPE	2170745-4
23.0	WITH	NETWORKING, PIN TYPE	2170745-3
16.0	WITH	SAN, PIN TYPE	2170745-2
13.7	WITH	PCI, PIN TYPE	2170745-1
DIM A	REAR PINS OPTIONAL	APPLICATION	PART NUMBER

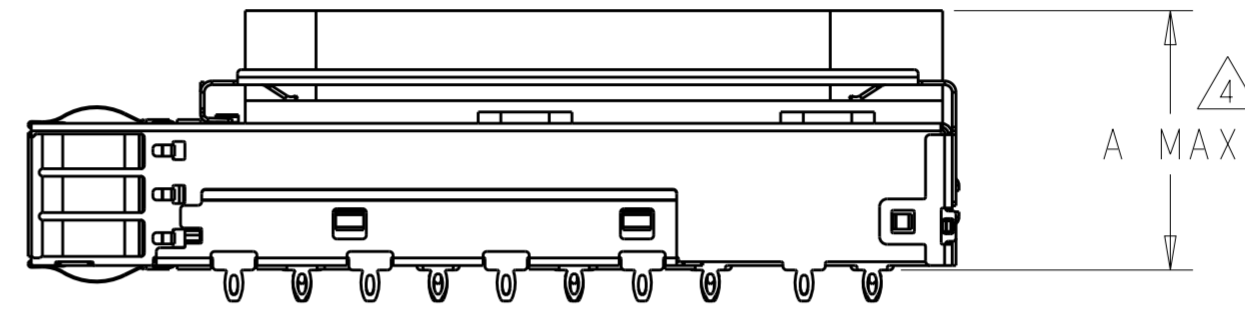
THIS DRAWING IS A CONTROLLED DOCUMENT.		DWN JASON YANG 25 JUN 2014	TE Connectivity	
		CHK SEAN HAN 11 JAN 2016		
DIMENSIONS:	TOLERANCES UNLESS OTHERWISE SPECIFIED:	APVD -	NAME RECEPTACLE CAGE ASSEMBLY WITH HEAT SINKS THRU BEZEL, 1X4, QSFP28	
mm	0 PLC ± 1 PLC ±0.25 2 PLC ±0.2 3 PLC ± 4 PLC ±	PRODUCT SPEC 108-19428	SIZE CAGE CODE DRAWING NO	
MATERIAL SEE NOTES	ANGLES FINISH SEE NOTES	APPLICATION SPEC 114-32023	A200779	C-2170745
		WEIGHT -	RESTRICTED TO	
		CUSTOMER DRAWING	SCALE 3:1	SHEET 1 OF 6 REV C

THIS DRAWING IS UNPUBLISHED. RELEASED FOR PUBLICATION 20
 © COPYRIGHT 20 BY - ALL RIGHTS RESERVED.

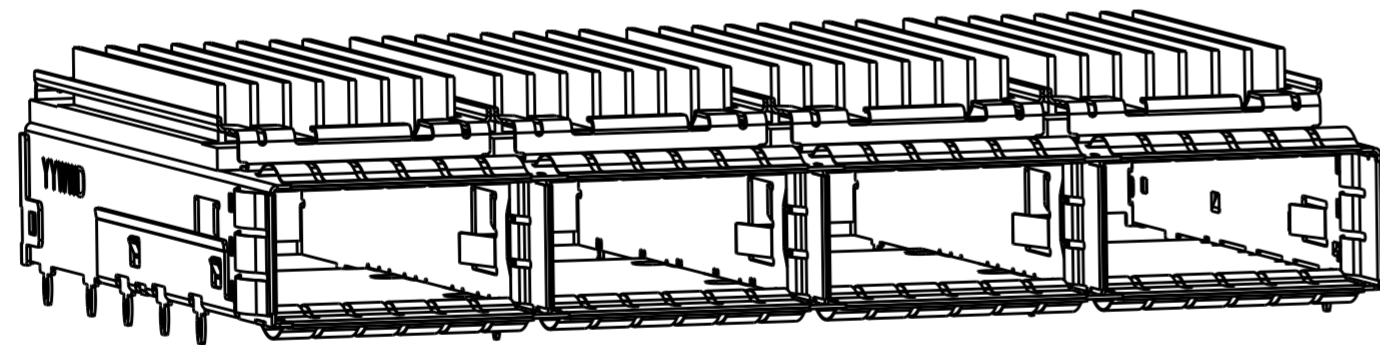
REVISIONS				
P	LTR	DESCRIPTION	DATE	APVD
-		SEE SHEET 1	-	-



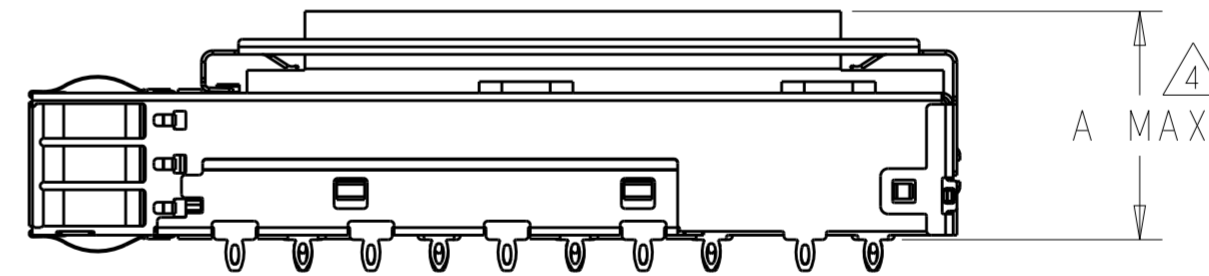
2170745-7 AS SHOWN \triangle
 WITH CUSTOMIZED FIN TYPE HEAT SINK AND LP FEATURE
 SCALE 2:1



SCALE 2:1



2170745-8 AS SHOWN
 WITH FIN TYPE HEAT SINK
 SCALE 2:1

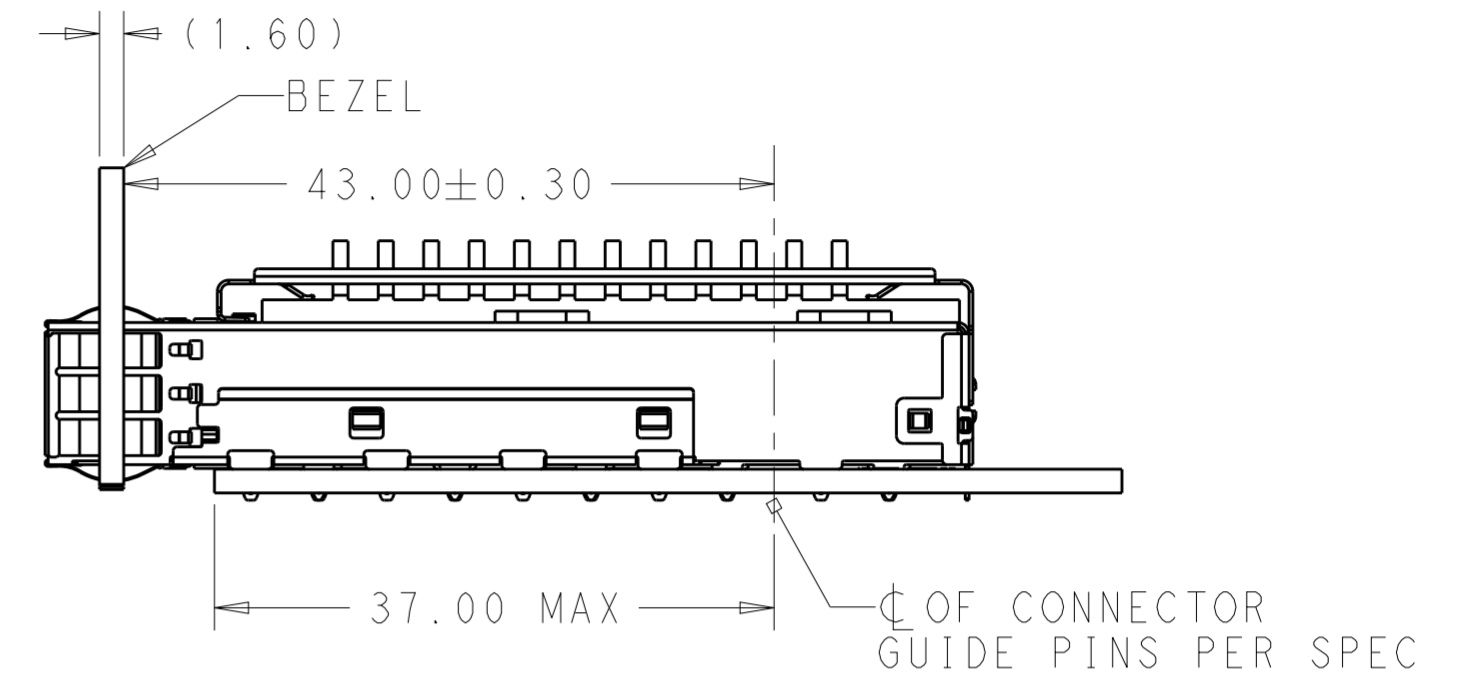
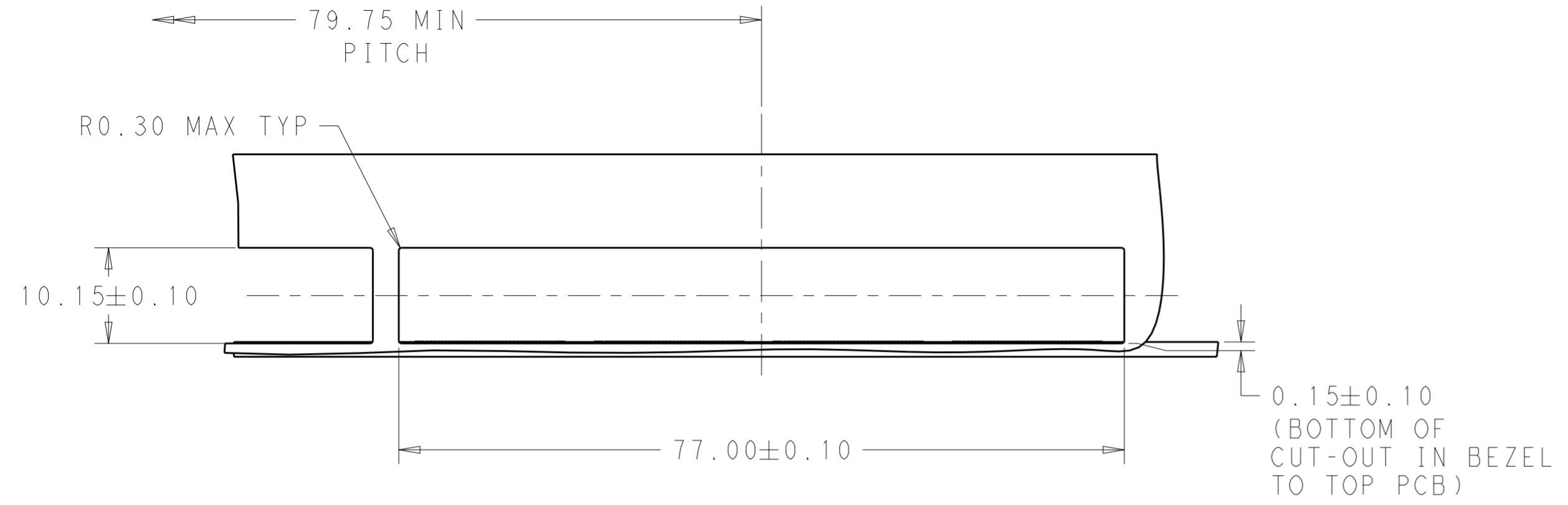


SCALE 2:1

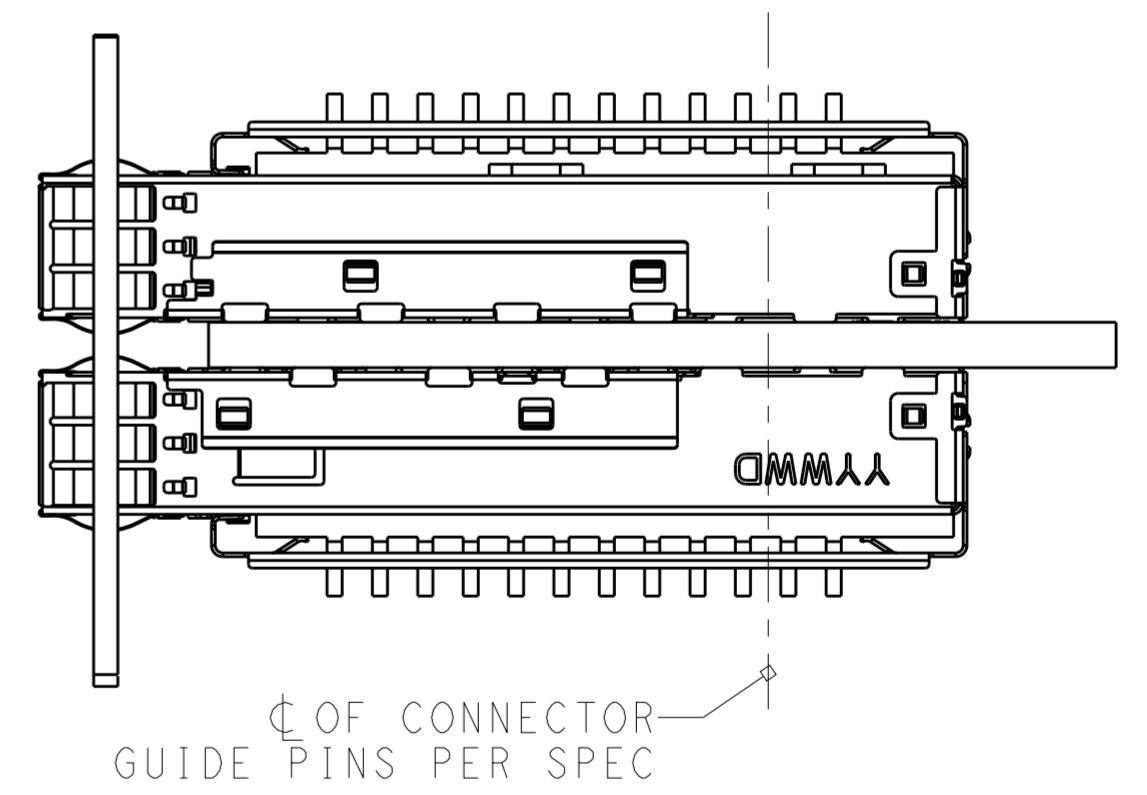
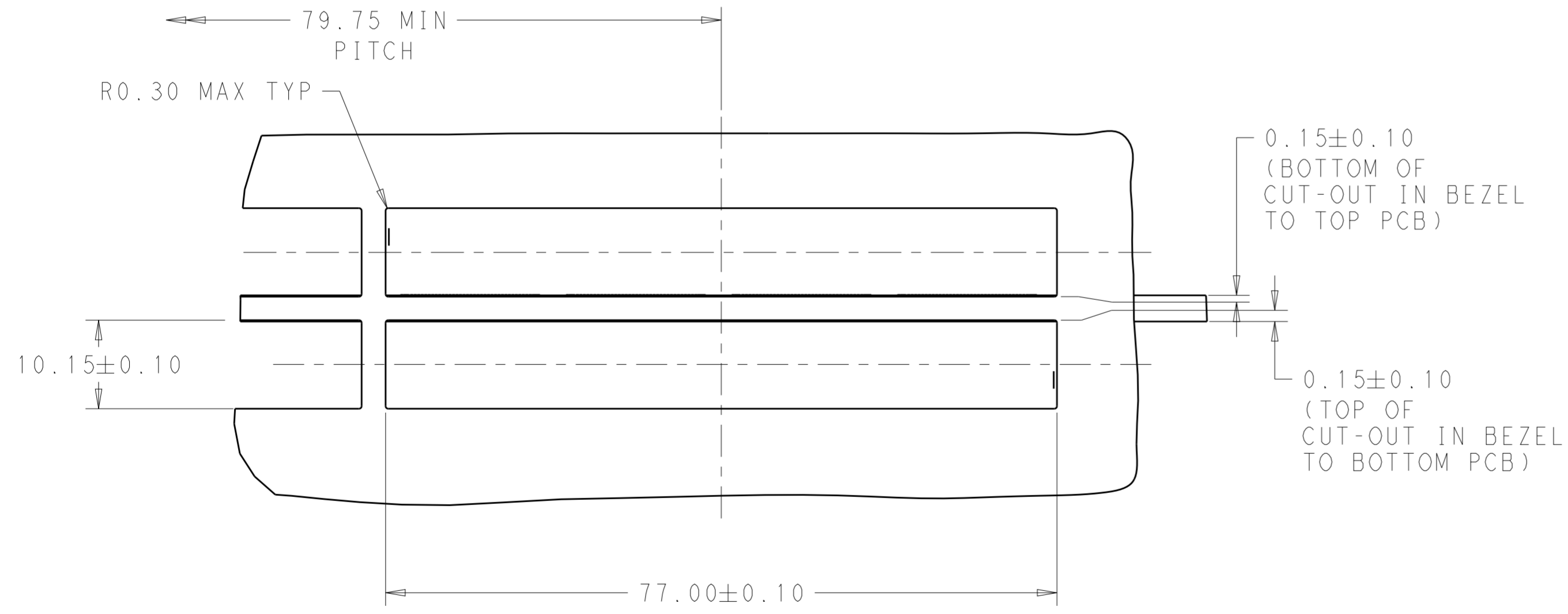
THIS DRAWING IS A CONTROLLED DOCUMENT.		DWN JASON YANG 25 JUN 2014	TE Connectivity	
		CHK SEAN HAN 11 JAN 2016		
DIMENSIONS: mm		TOLERANCES UNLESS OTHERWISE SPECIFIED:		NAME RECEPTACLE CAGE ASSEMBLY WITH HEAT SINKS THRU BEZEL, 1X4, QSFP28
		0 PLC ±	1 PLC ±0.25	PRODUCT SPEC 108-19428
		2 PLC ±0.2	3 PLC ±	APPLICATION SPEC 114-32023
		4 PLC ±	ANGLES ±	SIZE A200779
MATERIAL SEE NOTES		FINISH SEE NOTES		CAGE CODE C-2170745
		CUSTOMER DRAWING		RESTRICTED TO -
		SCALE 3:1		SHEET 2 OF 6
				REV C

THIS DRAWING IS UNPUBLISHED. RELEASED FOR PUBLICATION 20
 © COPYRIGHT 20 BY - ALL RIGHTS RESERVED.

REVISIONS				
P	LTR	DESCRIPTION	DATE	APVD
-	-	SEE SHEET 1	-	-



SINGLE SIDE MOUNTING
SCALE 2:1

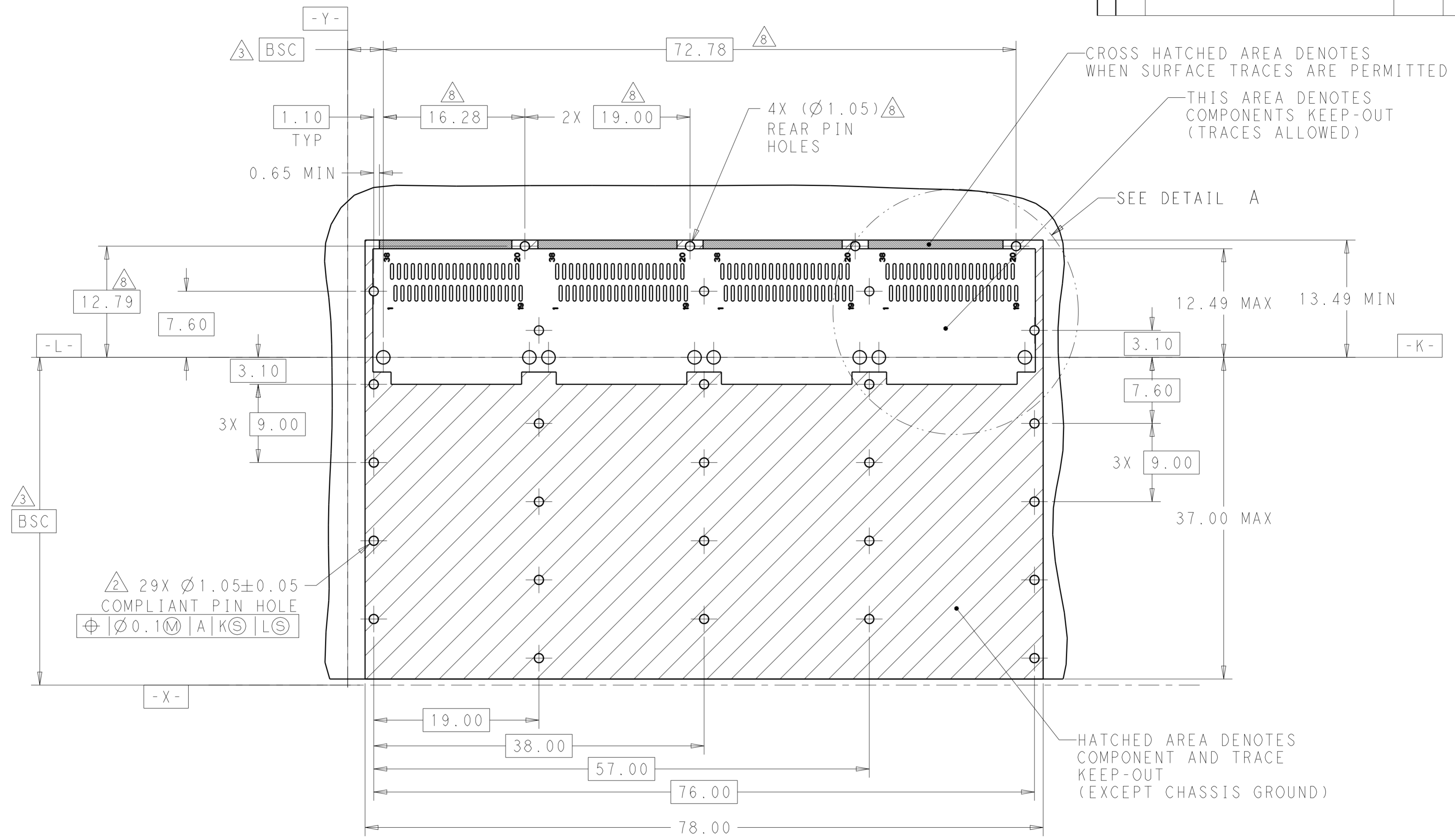


BELLY TO BELLY MOUNTING
SCALE 2:1

THIS DRAWING IS A CONTROLLED DOCUMENT.		DWN JASON YANG 25 JUN 2014	TE Connectivity	
		CHK SEAN HAN 11 JAN 2016		
DIMENSIONS:	TOLERANCES UNLESS OTHERWISE SPECIFIED:	APVD	NAME	RECEPTACLE CAGE ASSEMBLY WITH HEAT SINKS THRU BEZEL, 1X4, QSFP28
mm	0 PLC ± 1 PLC ±0.25 2 PLC ±0.2 3 PLC ± 4 PLC ± ANGLES ± FINISH	PRODUCT SPEC 108-19428	SIZE	
MATERIAL	SEE NOTES	APPLICATION SPEC 114-32023	CAGE CODE	DRAWING NO
		WEIGHT	A200779	C-2170745
		CUSTOMER DRAWING	SCALE 3:1	SHEET 3 OF 6

THIS DRAWING IS UNPUBLISHED. RELEASED FOR PUBLICATION 20
 © COPYRIGHT 20 BY - ALL RIGHTS RESERVED.

REVISIONS				
P	LTR	DESCRIPTION	DATE	APVD
-	-	SEE SHEET 1	-	-

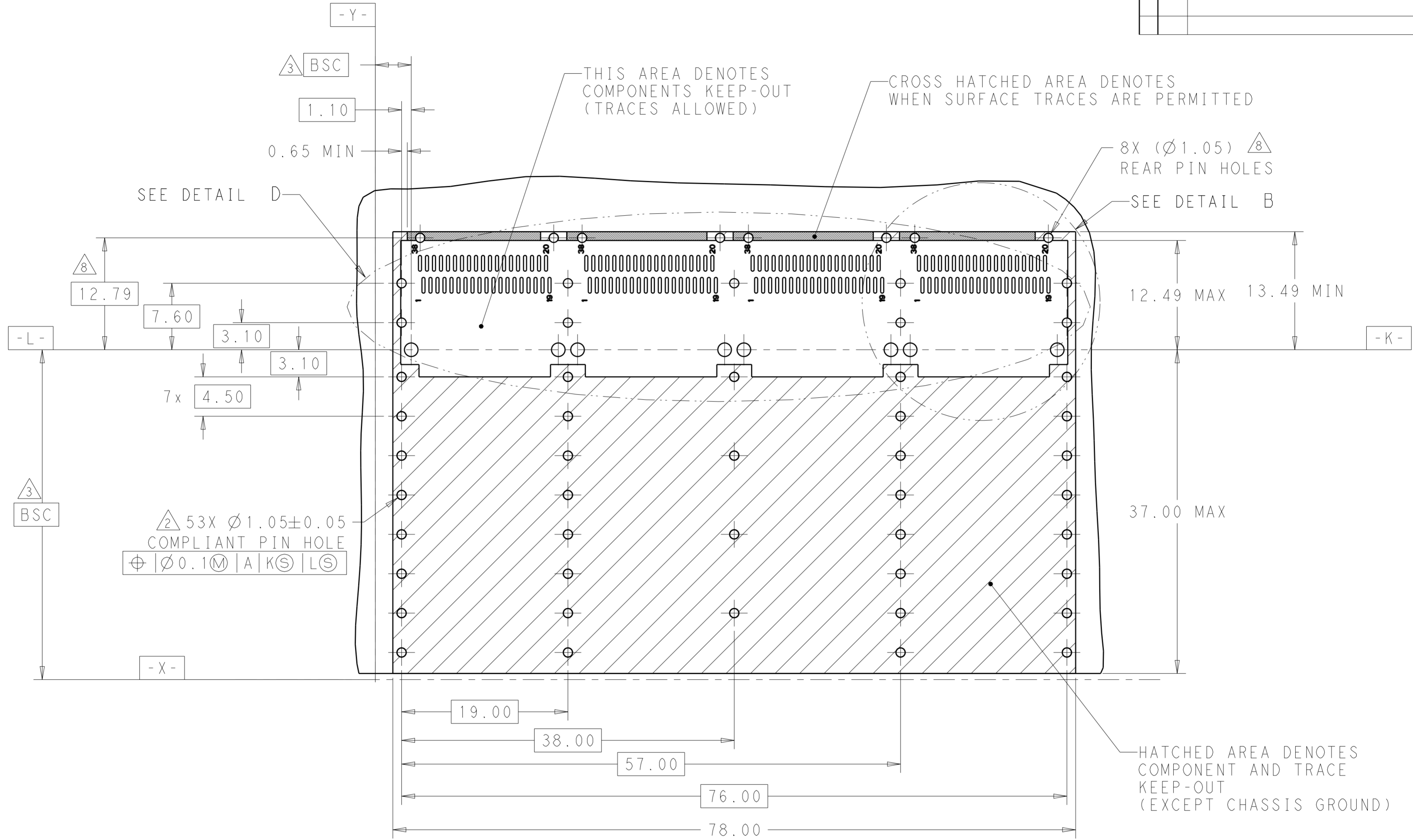


RECOMMENDED PCB LAYOUT
 SINGLE TYPE
 PCB TOLERANCE: ±0.05
 SCALE 3:1

THIS DRAWING IS A CONTROLLED DOCUMENT.		DWN 25 JUN 2014 JASON YANG	TE Connectivity	
		CHK 11 JAN 2016 SEAN HAN		
DIMENSIONS: mm		APVD -	NAME RECEPTACLE CAGE ASSEMBLY WITH HEAT SINKS THRU BEZEL, 1X4, QSFP28	
TOLERANCES UNLESS OTHERWISE SPECIFIED:		PRODUCT SPEC 108-19428	RESTRICTED TO -	
0 PLC ±		APPLICATION SPEC 114-32023	SIZE A200779 CAGE CODE C-2170745	
1 PLC ±0.25		WEIGHT -	SCALE 3:1 SHEET 4 OF 6 REV C	
2 PLC ±0.2		CUSTOMER DRAWING		
3 PLC ±				
4 PLC ±				
ANGLES ±				
FINISH SEE NOTES				

THIS DRAWING IS UNPUBLISHED. RELEASED FOR PUBLICATION 20
 © COPYRIGHT 20 BY - ALL RIGHTS RESERVED.

REVISIONS				
P	LTR	DESCRIPTION	DATE	APVD
-	-	SEE SHEET 1	-	-

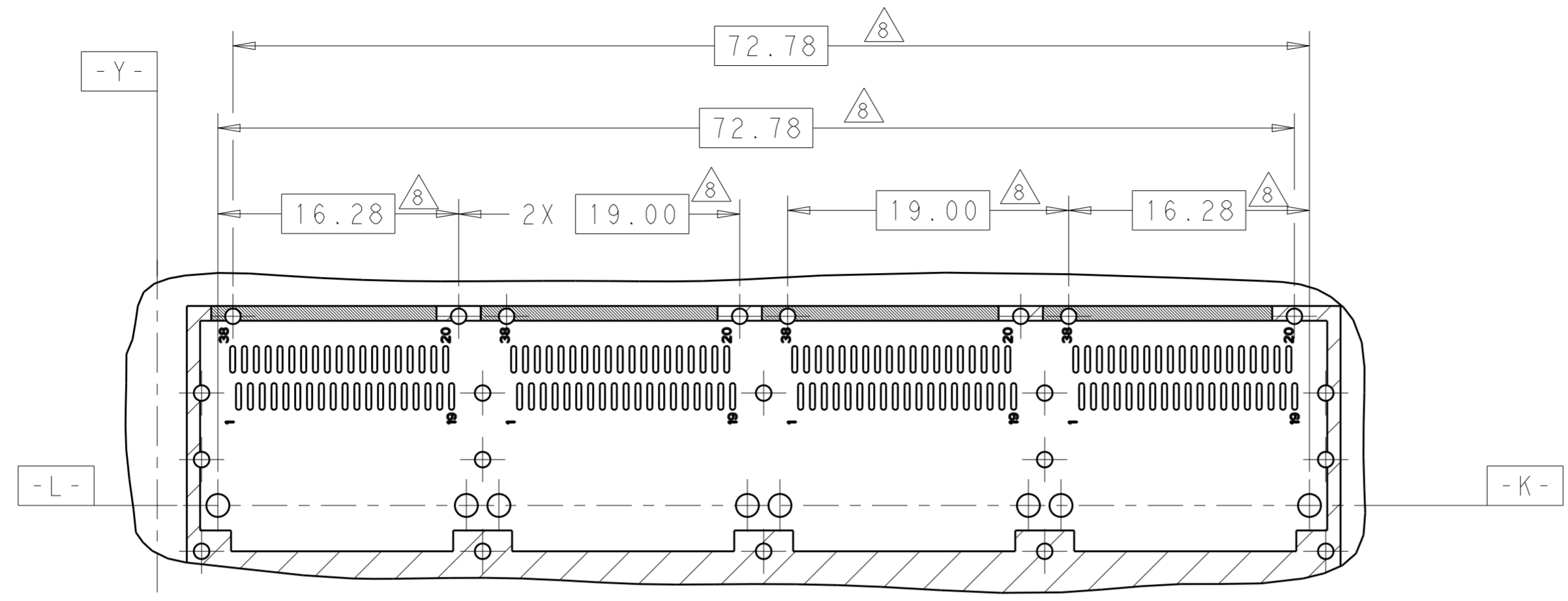


RECOMMENDED PCB LAYOUT
 BELLY TO BELLY TYPE
 PCB TOLERANCE: ±0.05
 SCALE 3:1

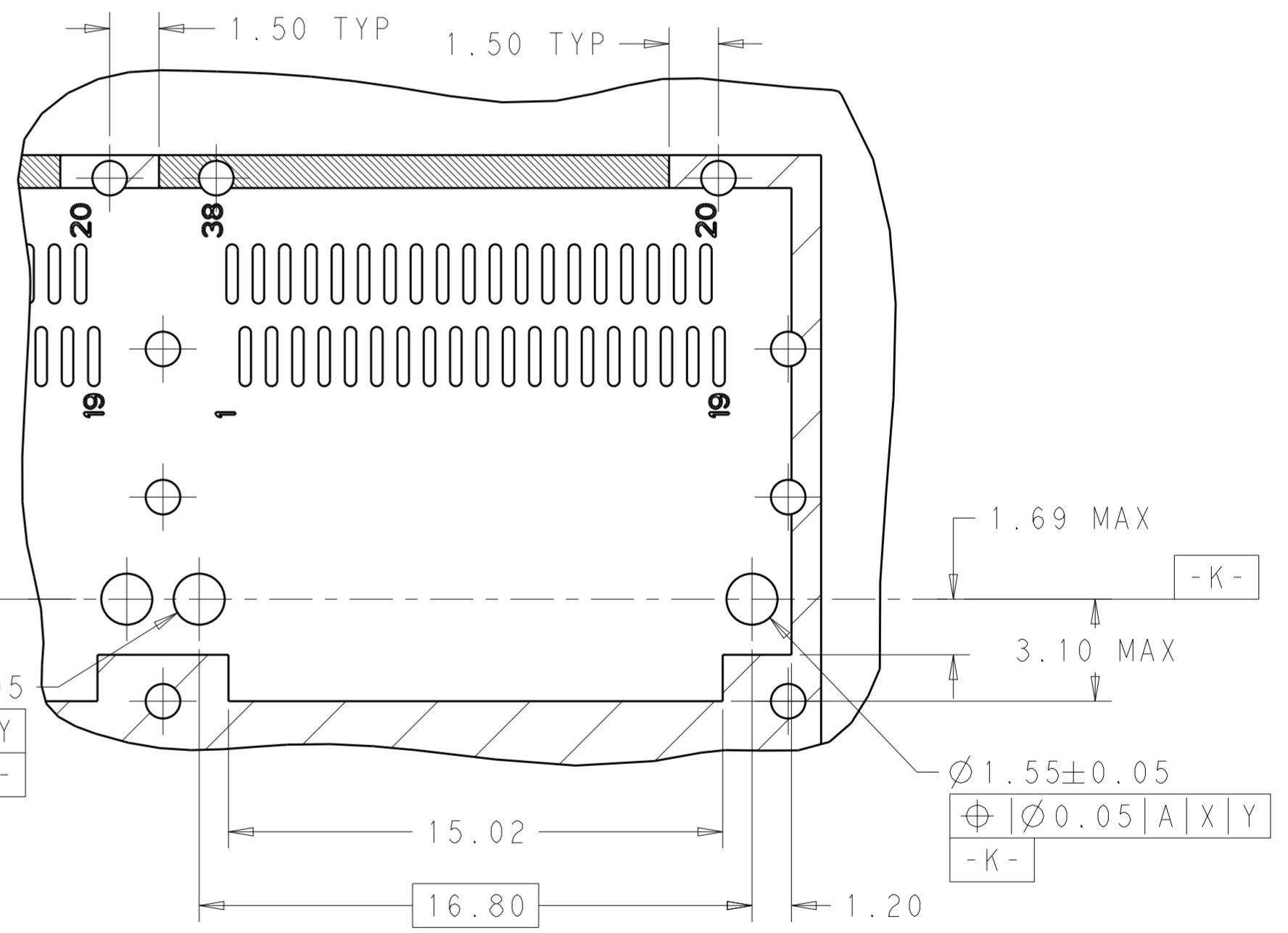
THIS DRAWING IS A CONTROLLED DOCUMENT.		DWN JASON YANG 25 JUN 2014	TE Connectivity	
		CHK SEAN HAN 11 JAN 2016		
DIMENSIONS: mm 		TOLERANCES UNLESS OTHERWISE SPECIFIED: 0 PLC ± 1 PLC ±0.25 2 PLC ±0.2 3 PLC ± 4 PLC ± ANGLES ± FINISH ±		NAME RECEPTACLE CAGE ASSEMBLY WITH HEAT SINKS THRU BEZEL, 1X4, QSFP28
MATERIAL SEE NOTES		PRODUCT SPEC 108-19428 APPLICATION SPEC 114-32023 WEIGHT -		SIZE A200779 CAGE CODE C-2170745 DRAWING NO - RESTRICTED TO -
		CUSTOMER DRAWING		SCALE 3:1 SHEET 5 OF 6 REV C

THIS DRAWING IS UNPUBLISHED. RELEASED FOR PUBLICATION 20
 © COPYRIGHT 20 BY - ALL RIGHTS RESERVED.

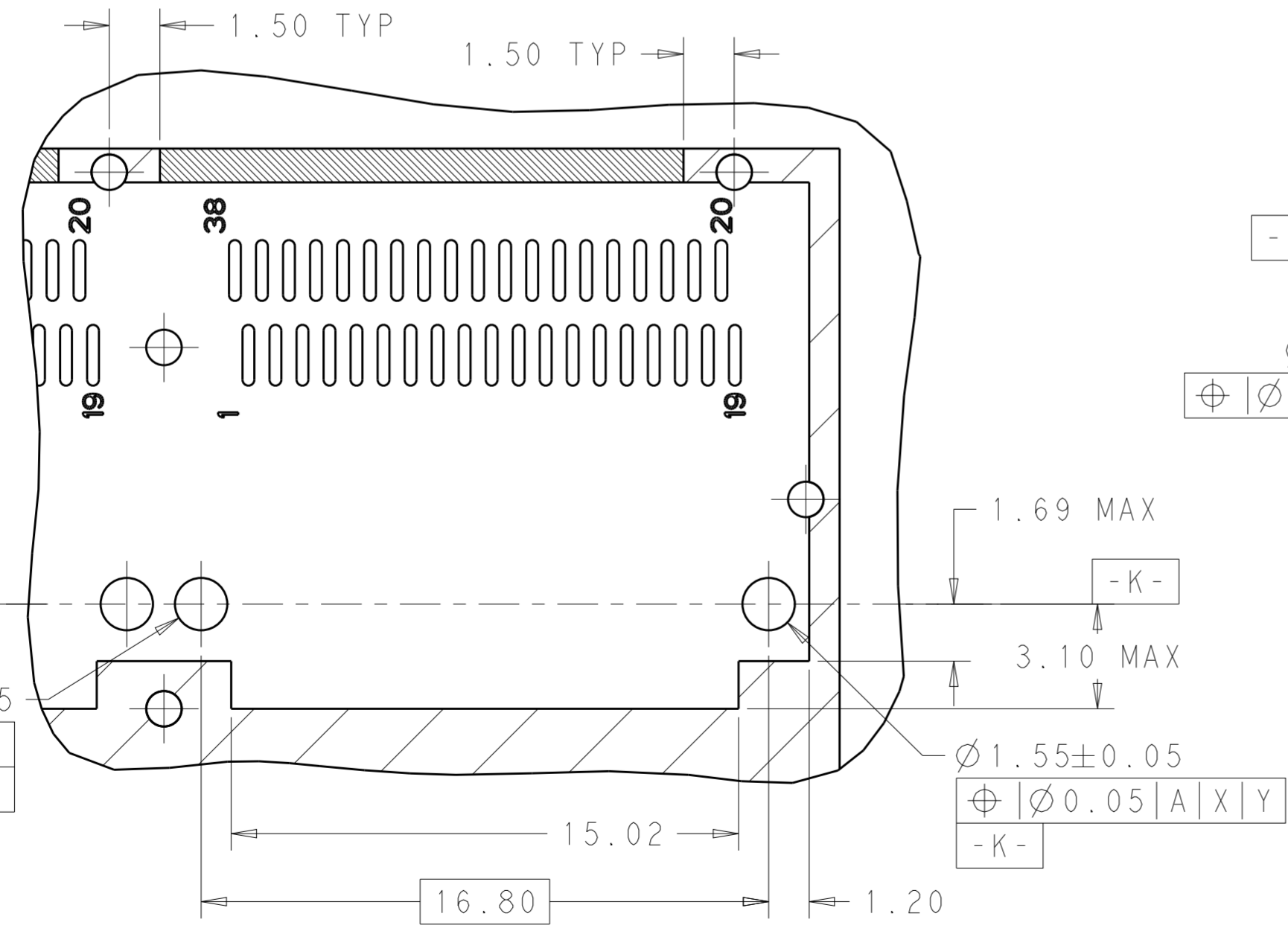
REVISIONS				
P	LTR	DESCRIPTION	DATE	APVD
-	-	SEE SHEET 1	-	-



DETAIL D
SCALE 3:1



DETAIL B
SCALE 6:1



DETAIL A
SCALE 6:1

THIS DRAWING IS A CONTROLLED DOCUMENT.		DWN JASON YANG 25 JUN 2014	TE Connectivity	
		CHK SEAN HAN 11 JAN 2016		
DIMENSIONS: mm	TOLERANCES UNLESS OTHERWISE SPECIFIED:	APVD -	NAME RECEPTACLE CAGE ASSEMBLY WITH HEAT SINKS THRU BEZEL, 1X4, QSFP28	RESTRICTED TO -
	0 PLC ± 1 PLC ±0.25 2 PLC ±0.2 3 PLC ± 4 PLC ±	PRODUCT SPEC 108-19428	SIZE A200779	CAGE CODE C-2170745
MATERIAL SEE NOTES	FINISH SEE NOTES	APPLICATION SPEC 114-32023	DRAWING NO. -	SCALE 3:1
		WEIGHT -	CUSTOMER DRAWING	SHEET 6 OF 6
				REV C