

Distributed by:

JAMECO[®]
ELECTRONICS

www.Jameco.com ♦ 1-800-831-4242

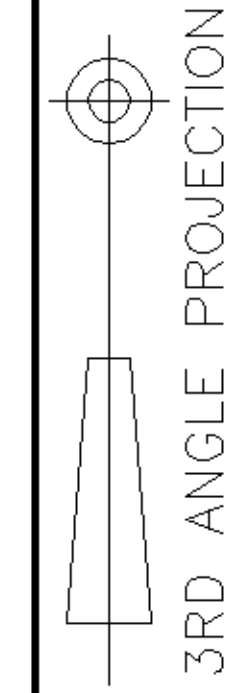
The content and copyrights of the attached
material are the property of its owner.

Jameco Part Number 1404373

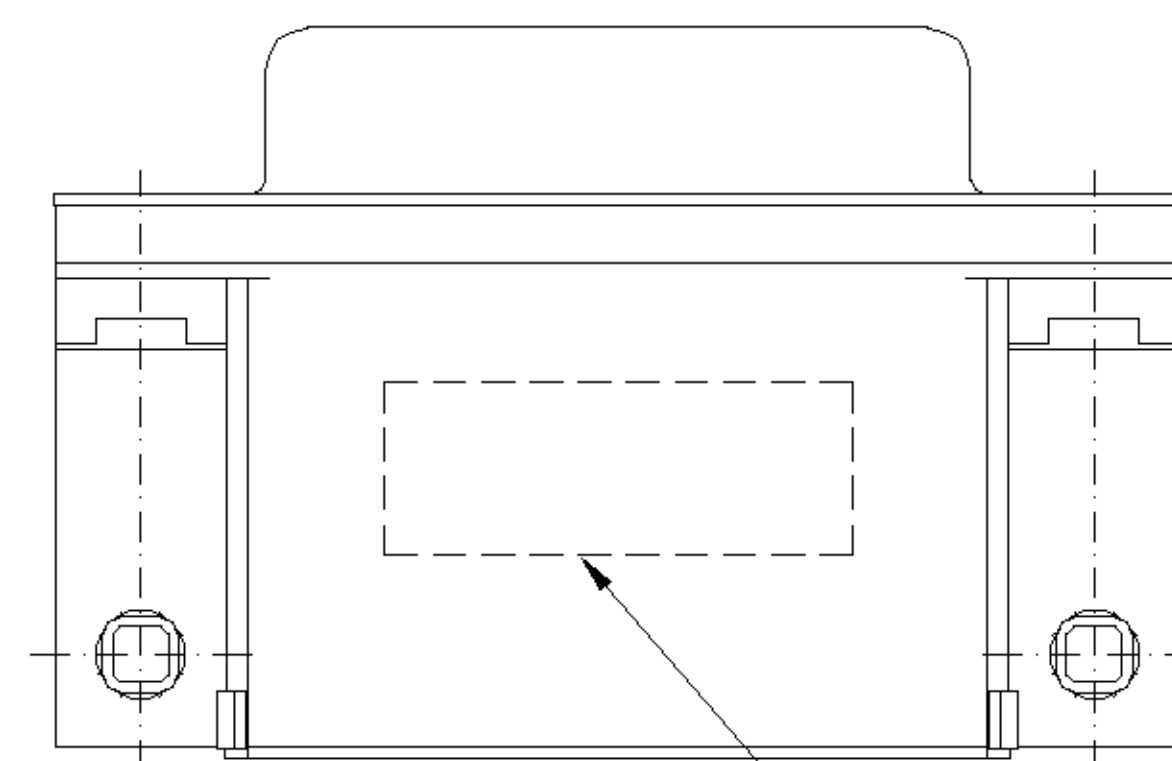
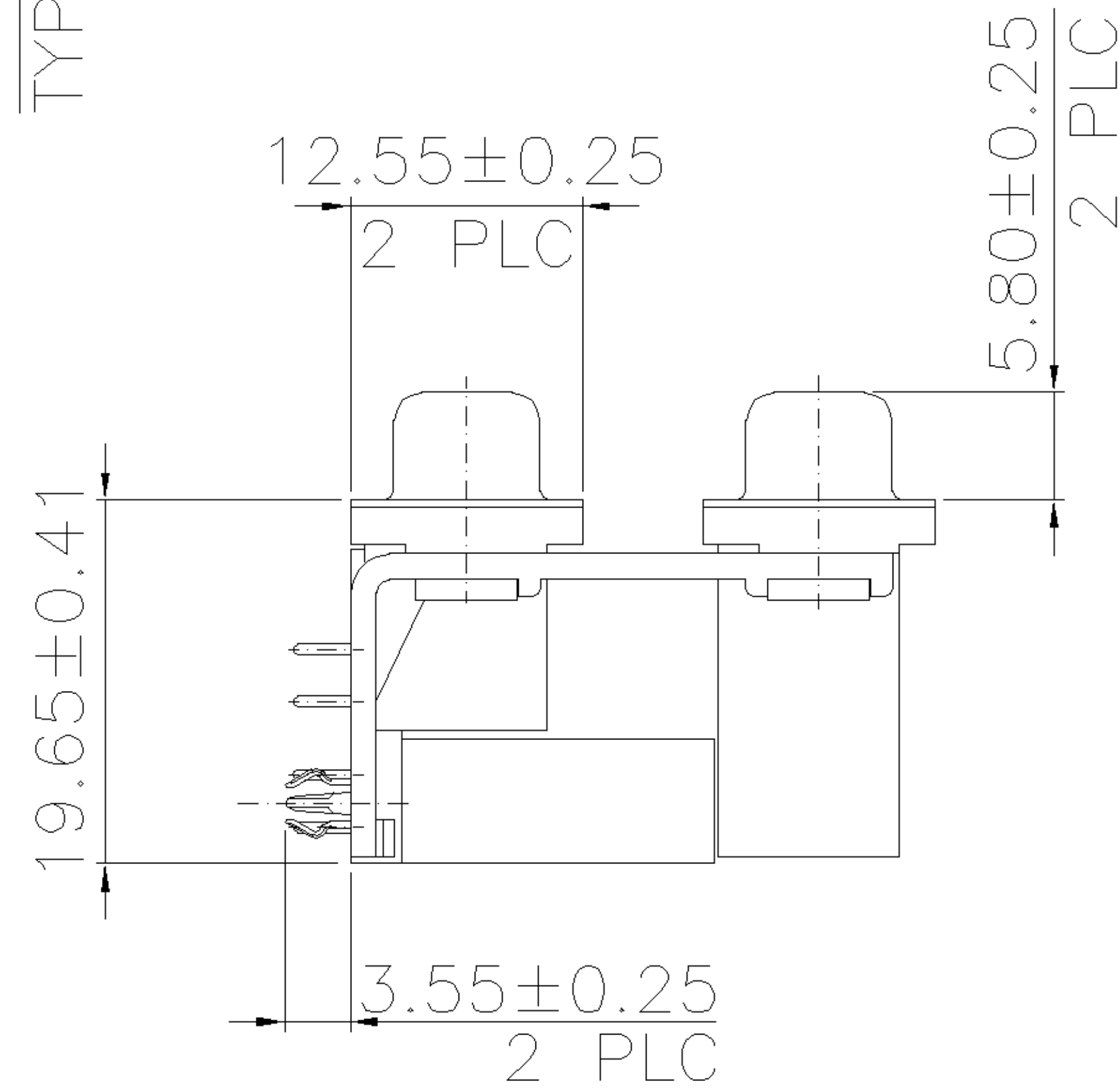
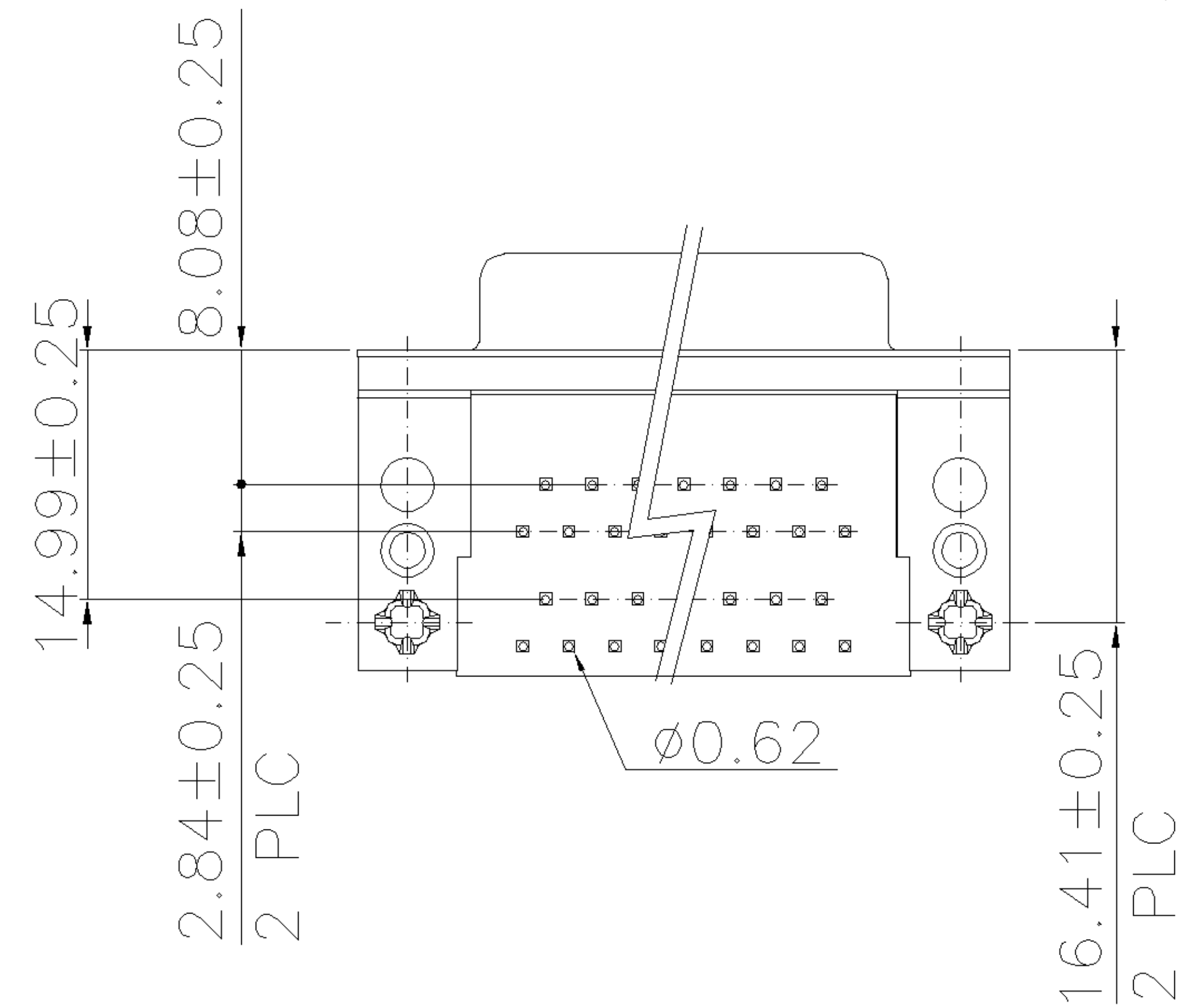
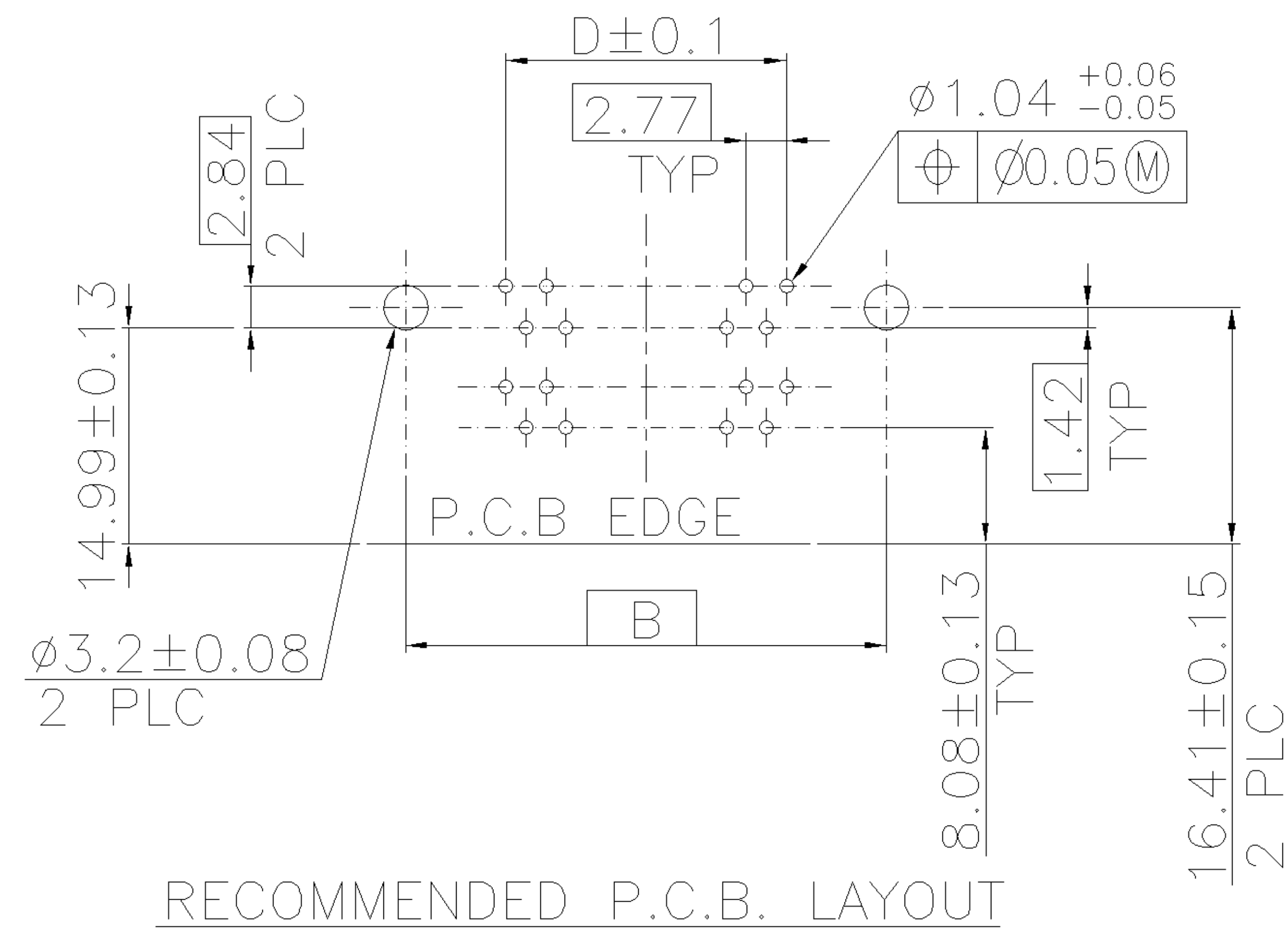
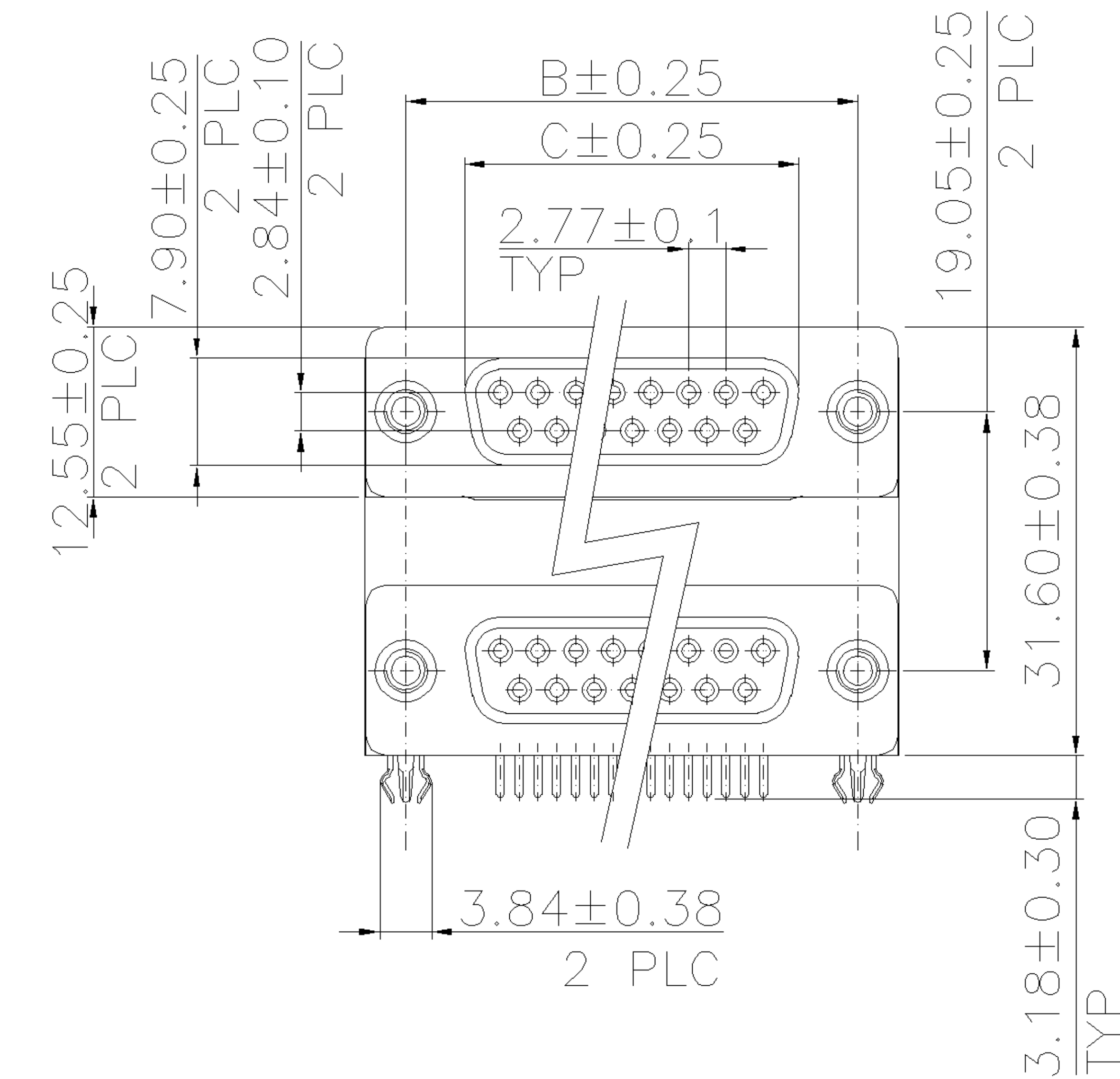
THIS INFORMATION IS CONFIDENTIAL AND IS DISCLOSED TO YOU ON CONDITION THAT NO FURTHER DISCLOSURE IS MADE BY YOU TO OTHER THAN AMP PERSONNEL WITHOUT WRITTEN AUTHORIZATION FROM AMP (TAIWAN) LTD.

PRINT DW

METRIC



NUMBER C-1734285



AMP LOGO & DATE CODE

NOTES:

1. MATERIAL:
 - 1.1 HOUSING/BACK COVER: THERMOPLASTIC, UL94V-0; COLOR: SEE TABLE.
 - 1.2 CONTACTS: COPPER ALLOY
 - 1.3 BOARDLOCK: COPPER ALLOY
 - 1.3 BRACKET: ZINC ALLOY
 - 1.4 SHELL: STEEL
 2. FINISH:
 - 2.1 CONTACT: GOLD PLATING (SEE TABLE) ON CONTACT AREA. 100µ" MIN. BRIGHT TIN PLATING ON SOLDER TAIL AREA, 50µ" MIN. NICKEL UNDERPLATING OVERALL.
 - 2.2 BOARDLOCK: 60µ" MIN. TIN PLATING OVERALL.
 - 2.3 SHELL: 60µ" MIN. TIN PLATING OVERALL.
 3. WAVE SOLDER CAPABLE TO 265°C PER TYCO SPEC. 109-202, CONDITION B.
- *. CHOOSE PRE-FIX FROM LEFT TABLE AND SUFFIX FROM RIGHT TABLE FOR DESIRED PART NUMBER COMBINATION.

9-1734285-X	37-37	M3 X 0.5	69.34	63.50	54.80	49.86
8-1734285-X	9-9	M3 X 0.5	30.95	24.99	16.20	11.08
3-1734285-X	37-37	#4-40 UNC	69.34	63.50	54.80	49.86
2-1734285-X	25-25	#4-40 UNC	53.10	47.04	38.30	33.24
1-1734285-X	15-15	#4-40 UNC	39.30	33.30	24.60	19.39
1734285-X	9-9	#4-40 UNC	30.95	24.99	16.20	11.08
PART NO.	PINS	THREADED INSERT	A	B	C	D

X-1734285-6	30 µ"	PC99/ACTUAL COLOR	37-37 NOT AVAILABLE
X-1734285-5	10 µ"	PC99/ACTUAL COLOR	
X-1734285-4	GOLD FLASH	PC99/ACTUAL COLOR	
X-1734285-3	30 µ"	BLACK	
X-1734285-2	10 µ"	BLACK	
X-1734285-1	GOLD FLASH	BLACK	
PART NO.	GOLD PLATING	HSG COLOR	

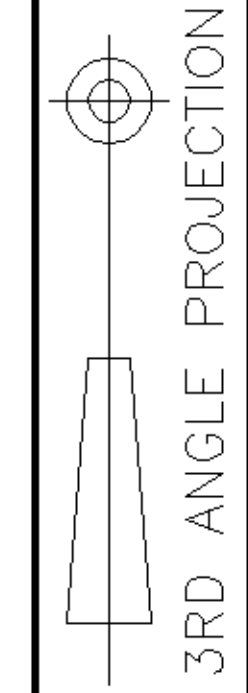
TOLERANCES UNLESS OTHERWISE SPECIFIED: 0 PLC ± 1 PLC ±0.3 2 PLC ±0.2 3 PLC ±0.2 ANGLES ±3'	DWN J. LEE 28-JUL-2005	 TYCO HOLDINGS (BERMUDA) VII LTD. TAIWAN BRANCH
MATERIAL SEE NOTE	CHK S. HOU 28-JUL-2005	
FINISH SEE NOTE	APVD W.J. KE 28-JUL-2005	NAME D-SUB STACKED RCPT OVER RCPT, R/A TYPE, THREAD INSERTS
	PRODUCT SPEC 108-57517	LOC DW
	QUALIFICATION TEST REPORT 501-57590	SIZE A ₃
	WEIGHT SEE SHEET 3	DRAWING NO. C-1734285
		REV 0
		SCALE --
		SHEET 1 OF 3

0	FIRST RELEASED	--	JL	SH	28-JUL 2005
LTR	REVISION RECORD	ECN	DWN	CHK	DATE

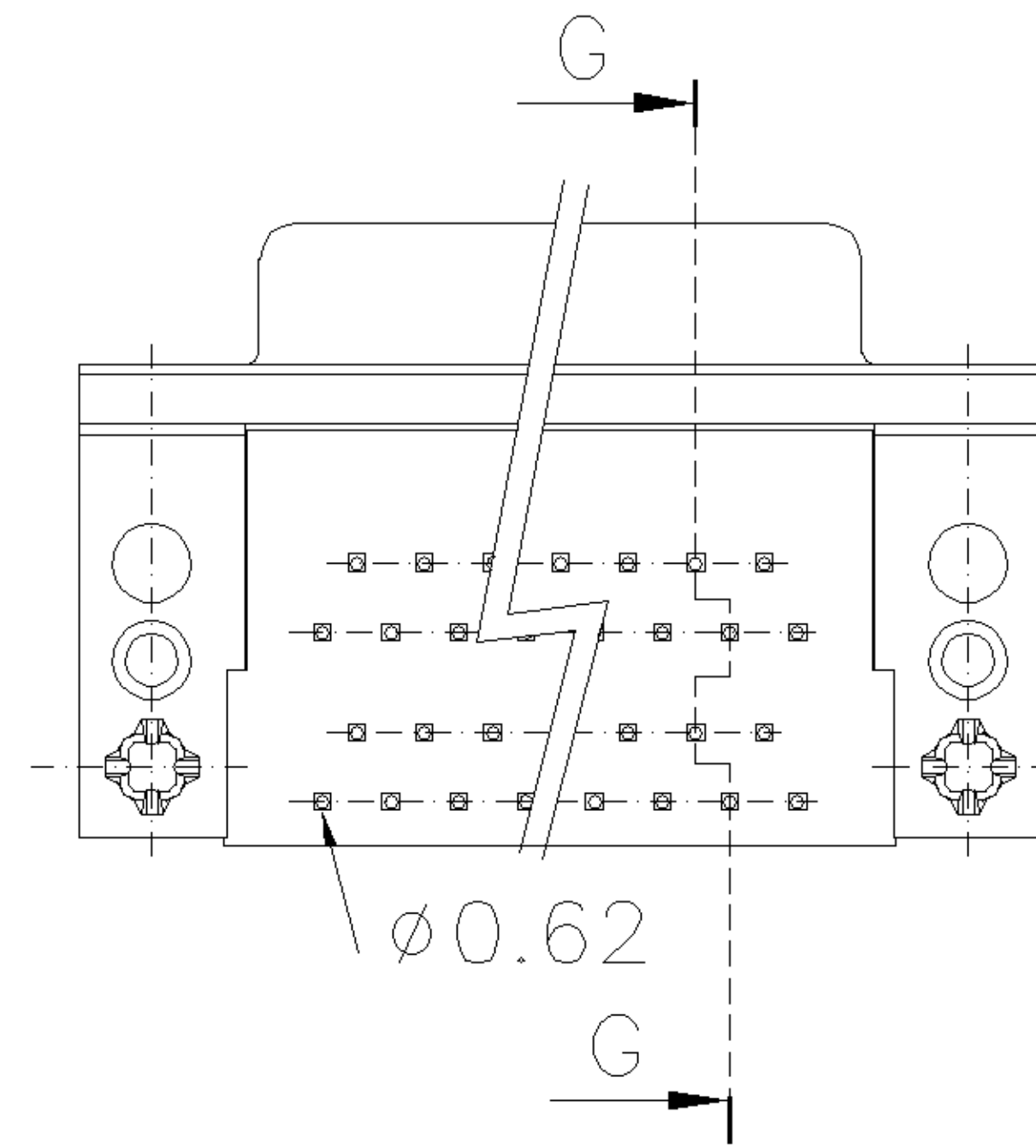
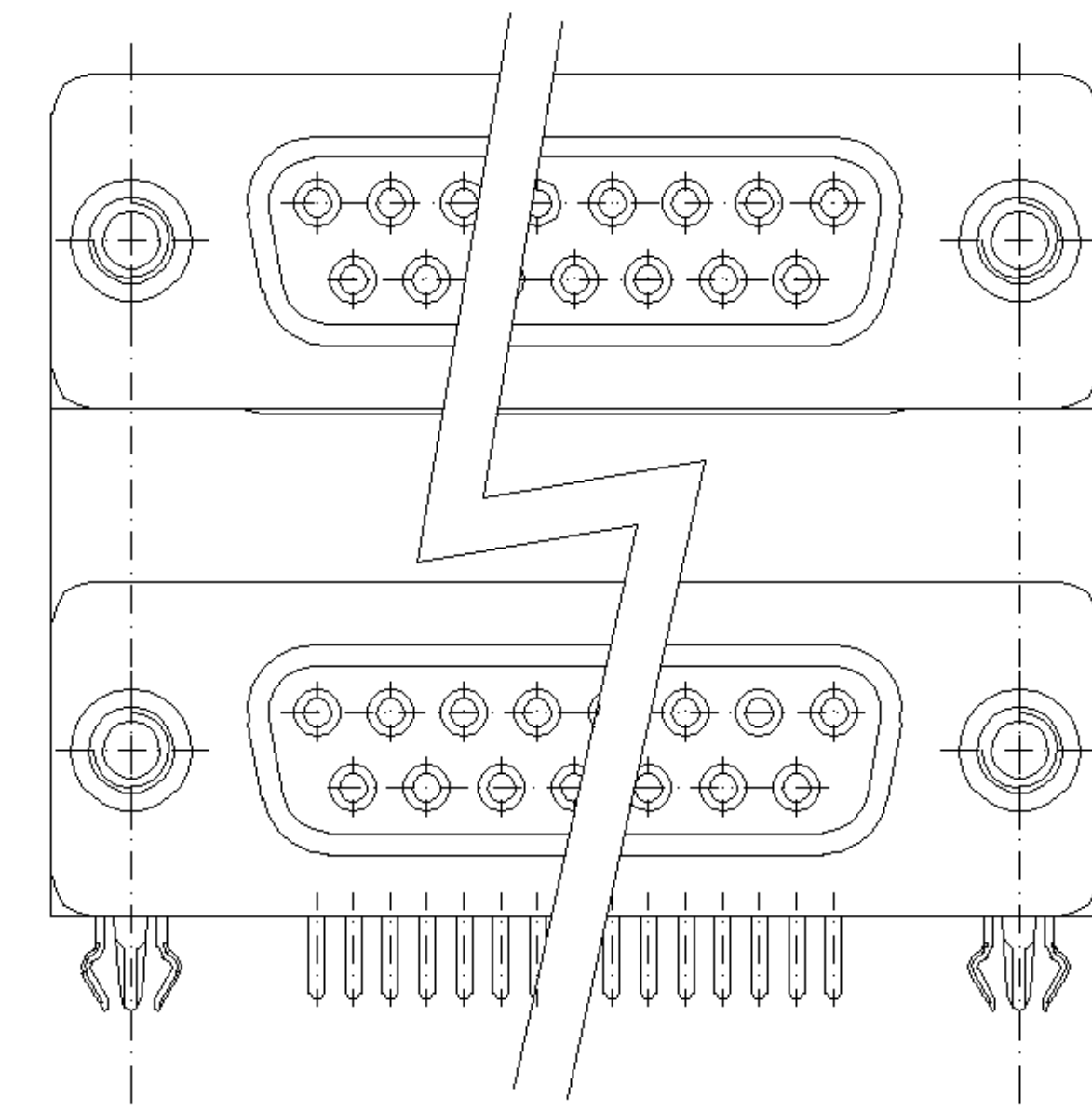
THIS INFORMATION IS CONFIDENTIAL AND IS DISCLOSED TO YOU ON CONDITION THAT NO FURTHER DISCLOSURE IS MADE BY YOU TO OTHER THAN AMP PERSONNEL WITHOUT WRITTEN AUTHORIZATION FROM AMP (TAIWAN) LTD. DIMENSIONS IN MILLIMETERS. DO NOT SCALE PRINT.

PRINT DIST
DW

METRIC

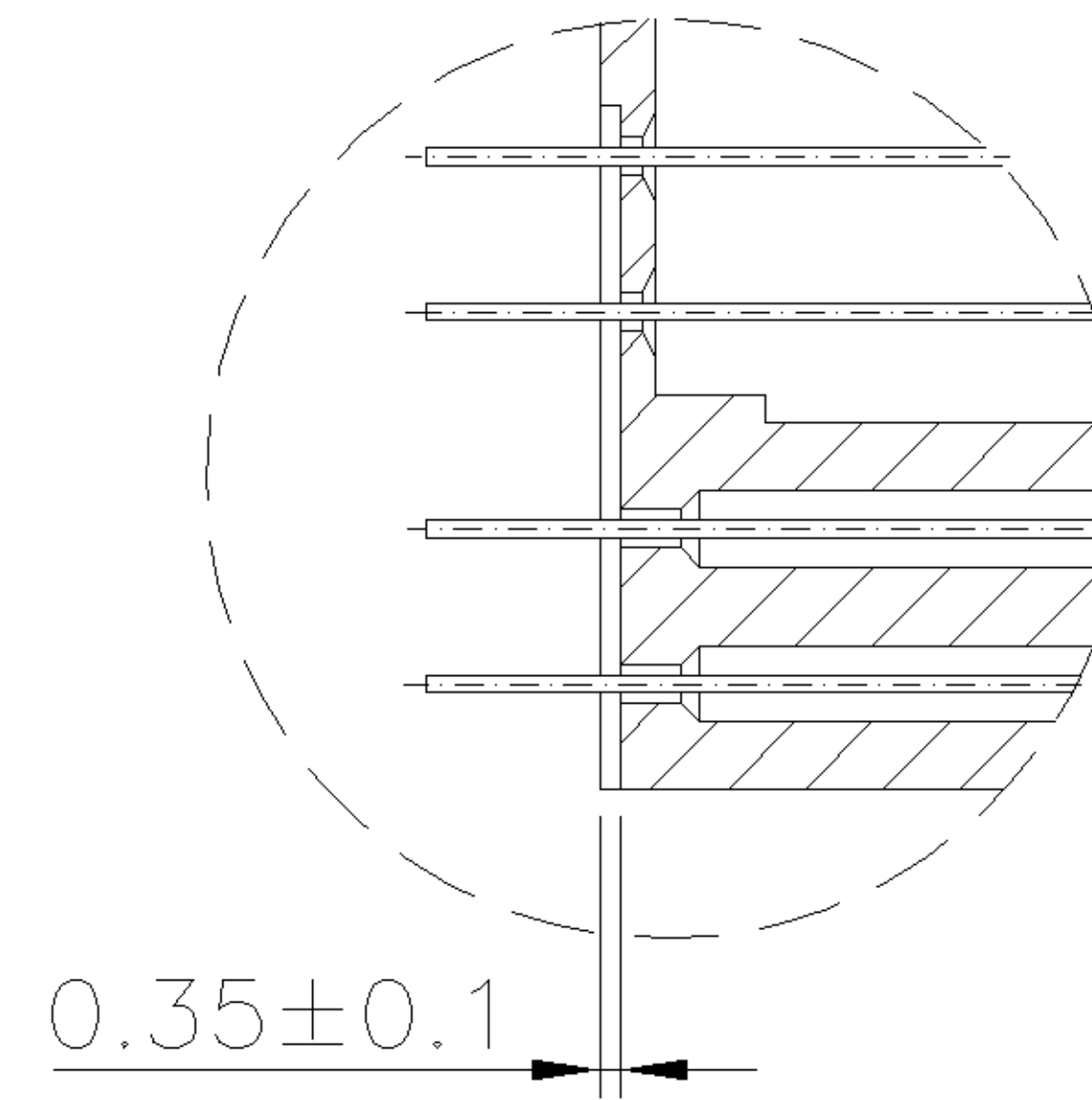
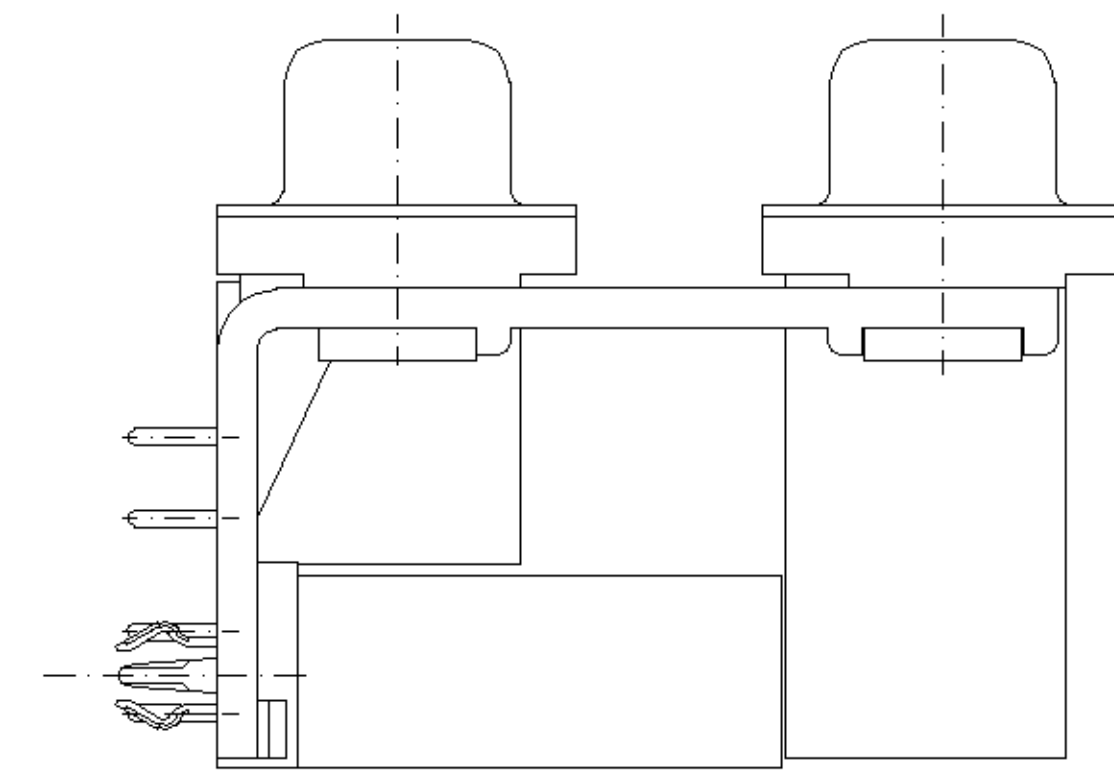


NUMBER
C-1734285



7-1734285-X	37-37	#4-40 UNC	69.34	63.50	54.80	49.86
6-1734285-X	25-25	#4-40 UNC	53.10	47.04	38.30	33.24
5-1734285-X	15-15	#4-40 UNC	39.30	33.30	24.60	19.39
4-1734285-X	9-9	#4-40 UNC	30.95	24.99	16.20	11.08
PART NO.	PINS	THREADED INSERT	A	B	C	D

X-1734285-6	30 μ"	PC99/ACTUAL COLOR	37-37 NOT AVAILABLE
X-1734285-5	10 μ"	PC99/ACTUAL COLOR	
X-1734285-4	GOLD FLASH	PC99/ACTUAL COLOR	
X-1734285-3	30 μ"	BLACK	
X-1734285-2	10 μ"	BLACK	
X-1734285-1	GOLD FLASH	BLACK	
PART NO.	GOLD PLATING	HSG COLOR	



SEC. G-G

	SEE SHEET 1			
LTR	REVISION RECORD	ECN	DWN CHK	DATE

TOLERANCES UNLESS OTHERWISE SPECIFIED: 0 PLC ± 1 PLC ±0.3 2 PLC ±0.2 3 PLC ± ANGLES ±3'		DWN J. LEE 28-JUL-2005	tyco Electronics TYCO HOLDINGS (BERMUDA) VII LTD. TAIWAN BRANCH	
MATERIAL SEE NOTE		CHK S. HOU 28-JUL-2005		
FINISH SEE NOTE		APVD W.J. KE 28-JUL-2005	NAME D-SUB STACKED RCPT OVER RCPT, R/A TYPE, THREAD INSERTS	
WEIGHT SEE SHEET 3		QUALIFICATION TEST REPORT SEE SHEET 1	LOC DW	SIZE A ₃
			DRAWING NO C-1734285	REV 0
			SCALE --	SHEET 2 OF 3

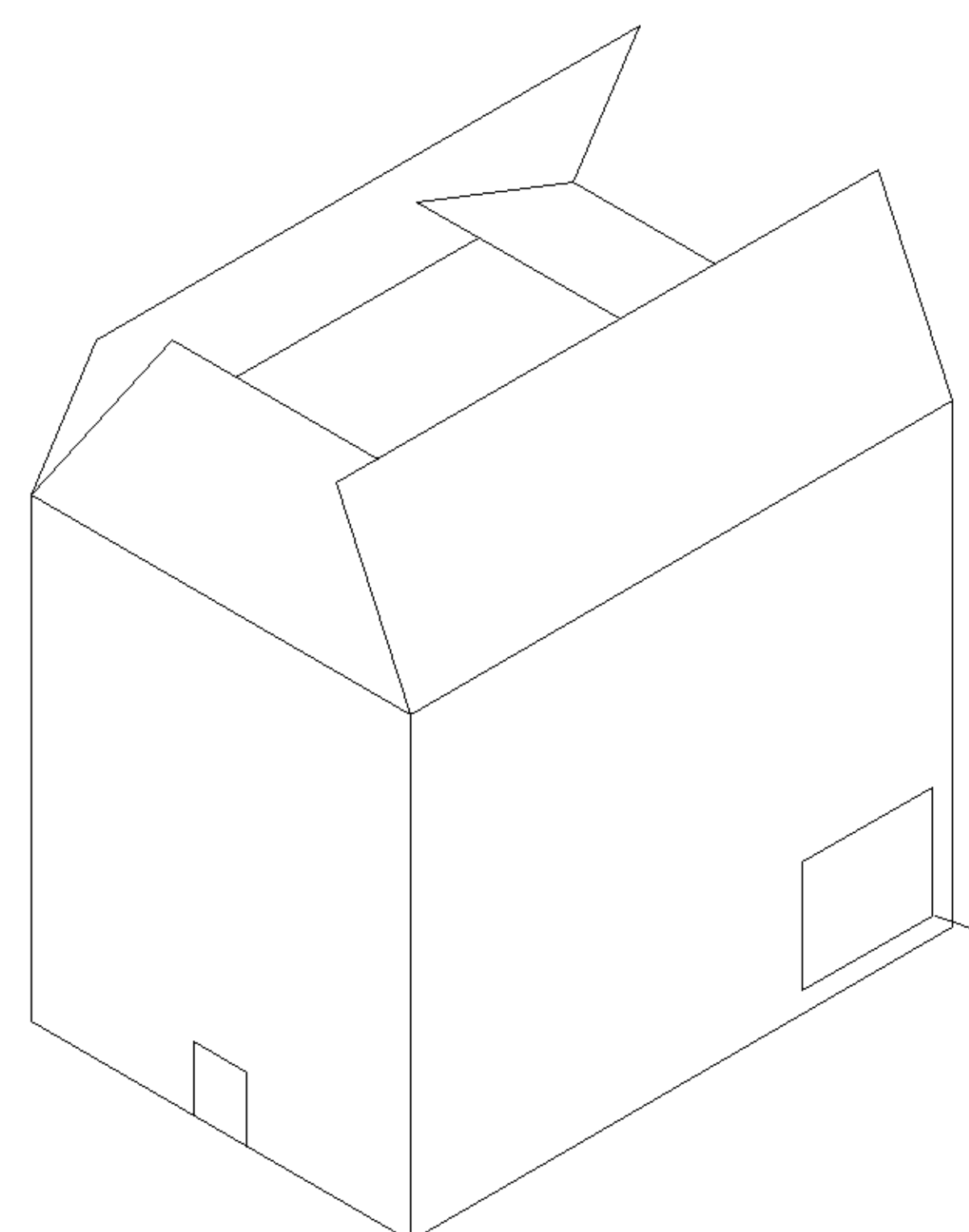
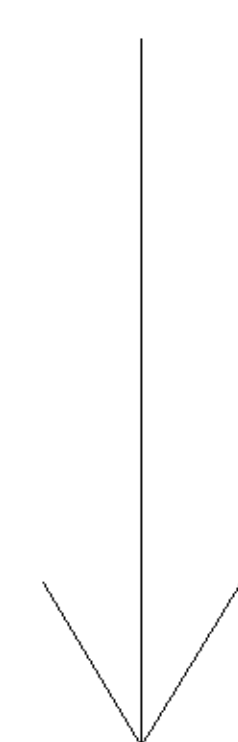
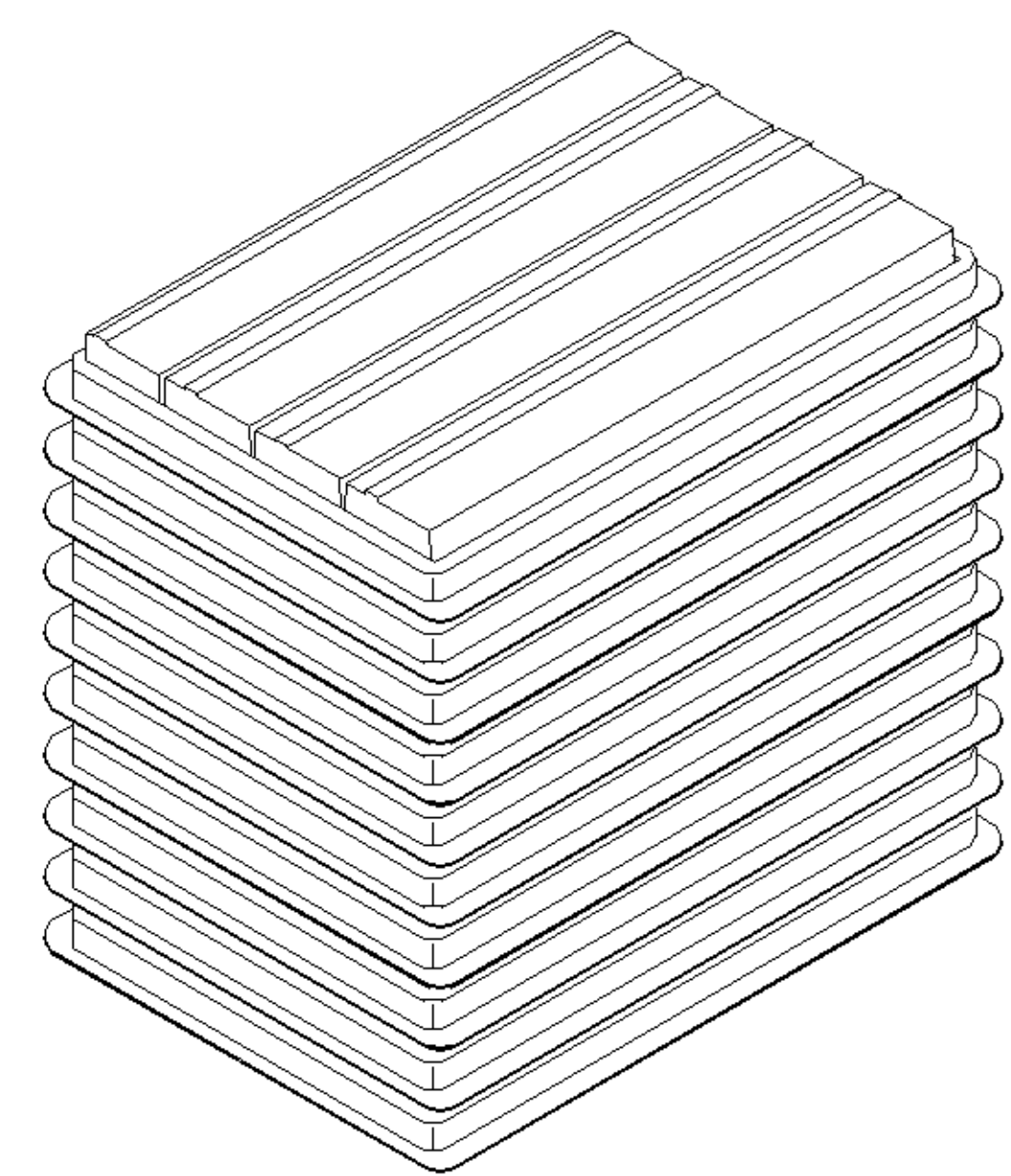
NUMBER
C-1734285

3RD ANGLE PROJECTION

METRIC

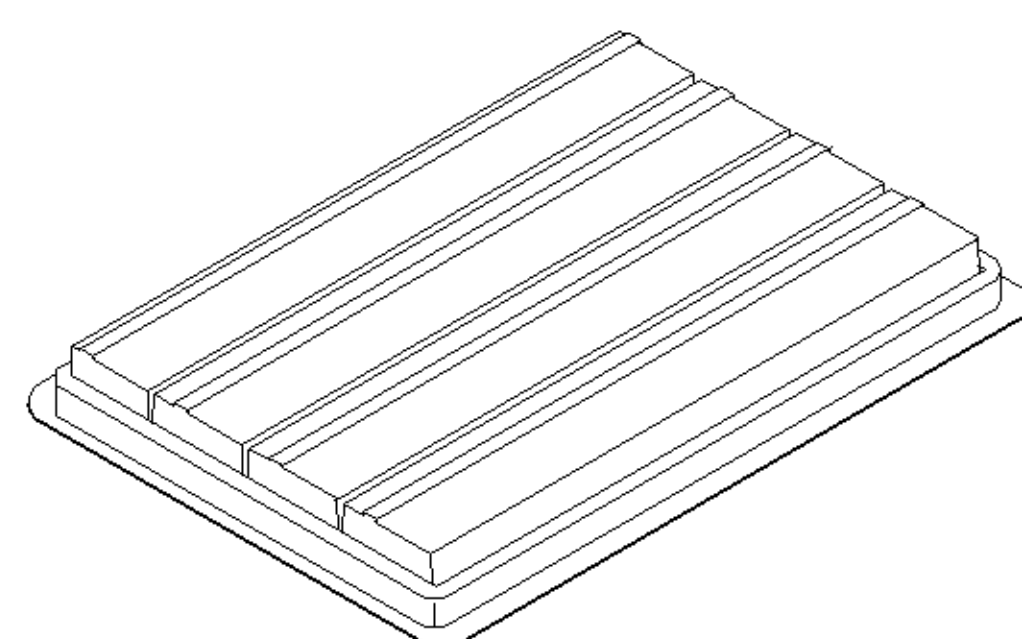
THIS INFORMATION IS CONFIDENTIAL AND IS DISCLOSED TO YOU ON CONDITION THAT NO FURTHER DISCLOSURE IS MADE BY YOU TO OTHER THAN AMP PERSONNEL WITHOUT WRITTEN AUTHORIZATION FROM AMP (TAIWAN) LTD. DIMENSIONS IN MILLIMETERS. DO NOT SCALE PRINT.

PRINT
DW

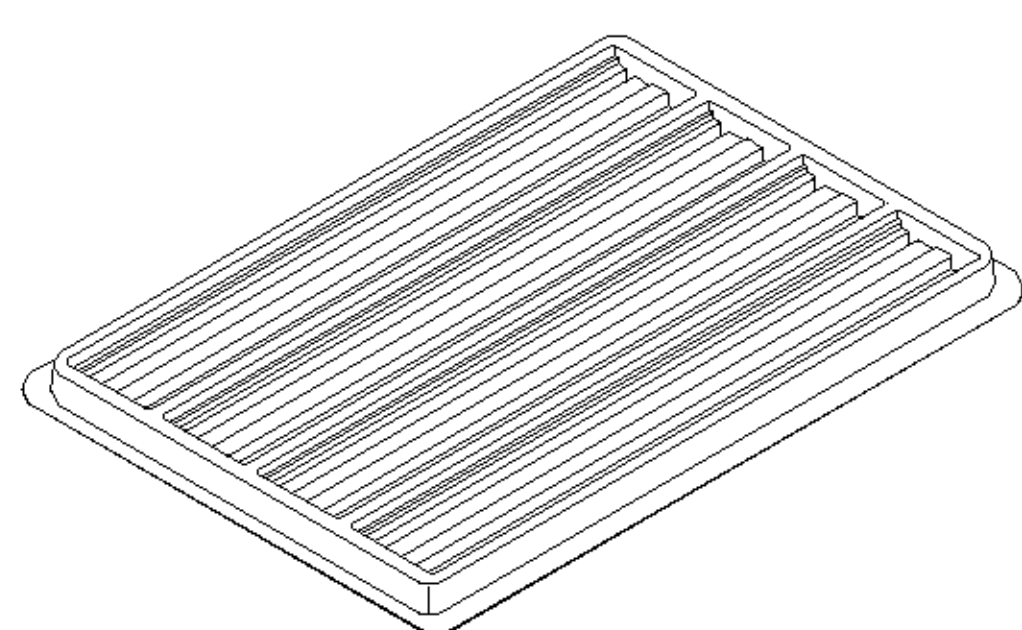


CARTON

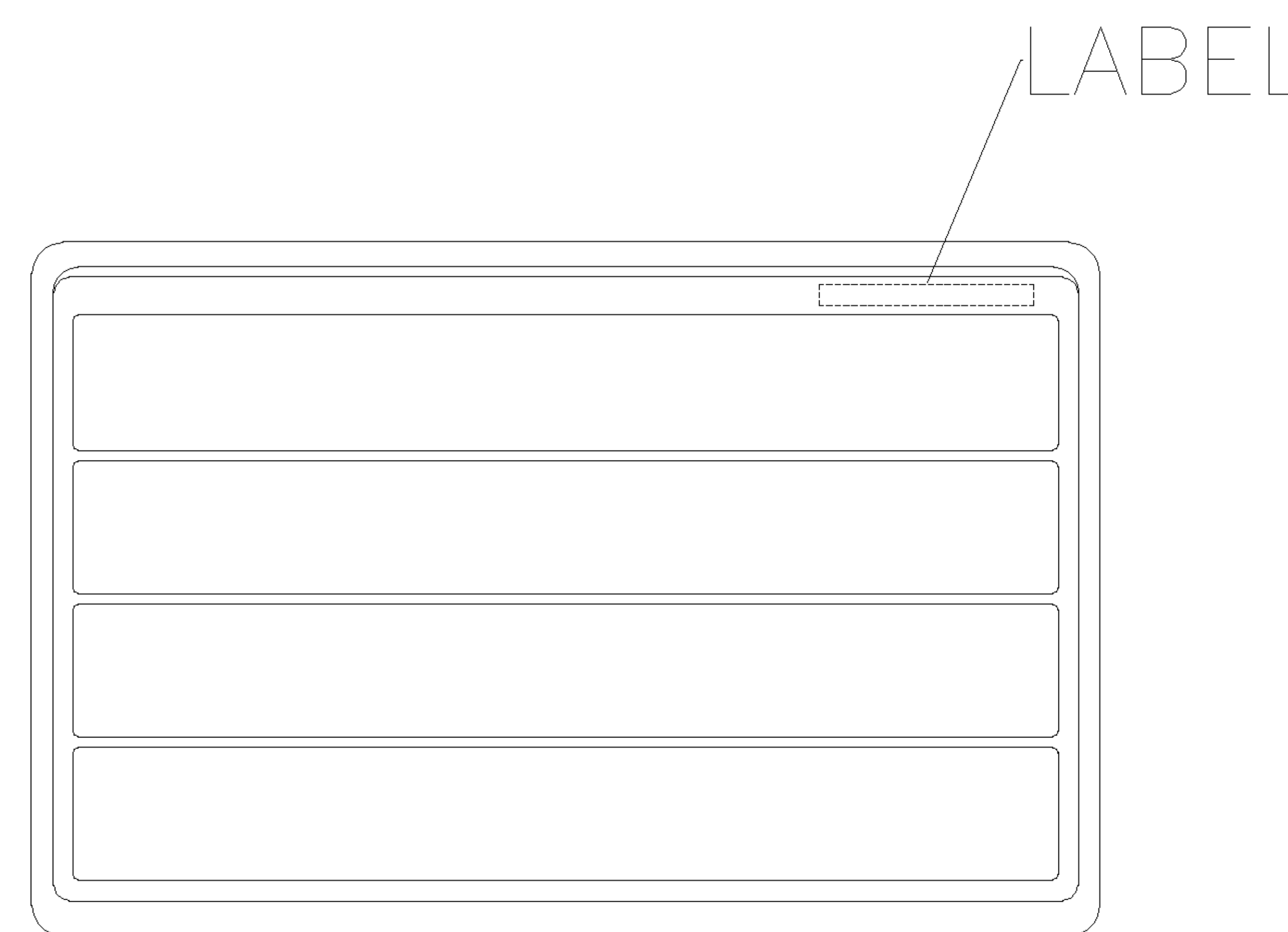
LABEL



TOP COVER



TRAY



TRAY LAYOUT

NOTE :

1. DIMENSION :
 TRAY : L=310, W=215, H=30
 CARTON : L=335, W=230, H=280
2. TRAY : PS or PET
3. QUANTITY:

PIN NO.	9-9	15-15	25-25	37-37
PCS/TRAY	36	28	20	16
TRAY/CARTON	10	10	10	10
PCS/CARTON	360	280	200	160
NET WEIGHT	10.12	9.73	9.53	10.10
GROSS WEIGHT	11.55	11.16	11.01	11.53

8 7 6 5 4 3 2 1

LTR	SEE SHEET 1	ECN	DWN	DATE
	REVISION RECORD		CHK	

TOLERANCES UNLESS OTHERWISE SPECIFIED: 0 PLC ± 1 PLC ± 2 PLC ± 3 PLC ± ANGLES ±		DWN J. LEE 28-JUL-2005	tyco TYCO HOLDINGS (BERMUDA) VII LTD. TAIWAN BRANCH	
MATERIAL SEE NOTE		CHK S. HOU 28-JUL-2005	NAME D-SUB STACKED RCPT OVER RCPT, R/A TYPE, THREAD INSERTS	
FINISH SEE NOTE		APVD W.J. KE 28-JUL-2005	LOC DW	REV 0
		PRODUCT SPEC -	SCALE --	SHEET 3 OF 3
		QUALIFICATION TEST REPORT -	DRAWING NO C-1734285	
		WEIGHT	CUSTOMER DRAWING	

D

C

B

A