

Distributed by:

JAMECO[®]
ELECTRONICS

www.Jameco.com ♦ 1-800-831-4242

The content and copyrights of the attached
material are the property of its owner.

Jameco Part Number 836254

LOC	DIST	REVISIONS					
J		P	LTR	DESCRIPTION	DATE	DWN	APVD
		D		REVISED	ECR-05-006575	12JUL05	J.Z S.Y

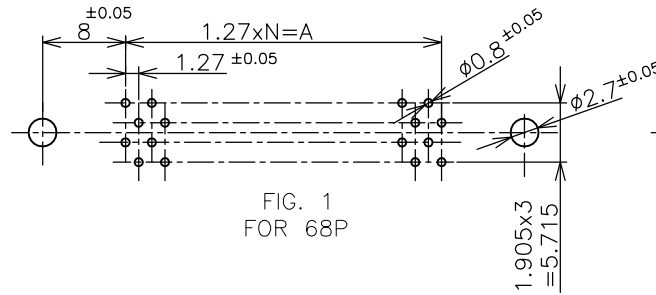
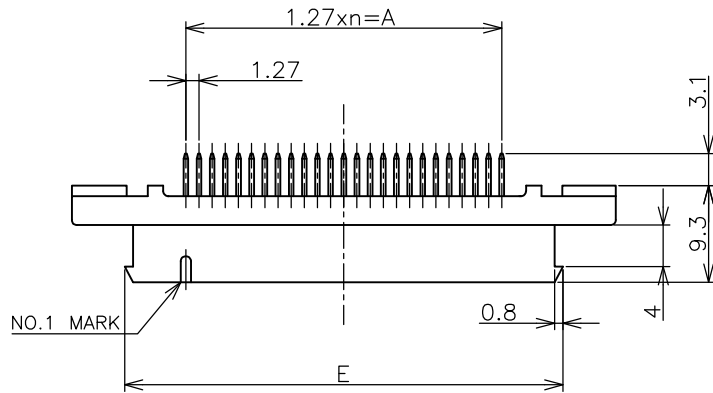


FIG. 1 FOR 68P

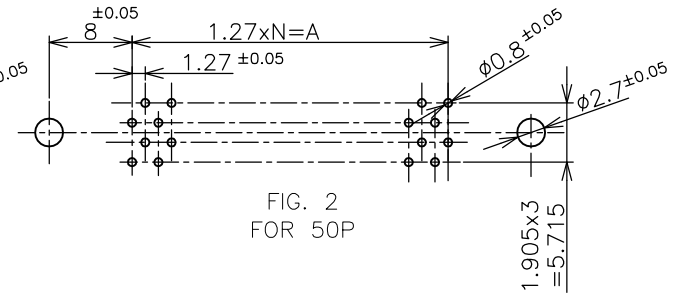
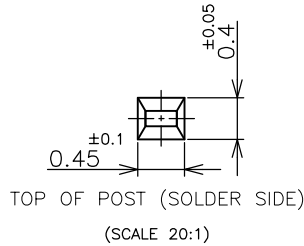
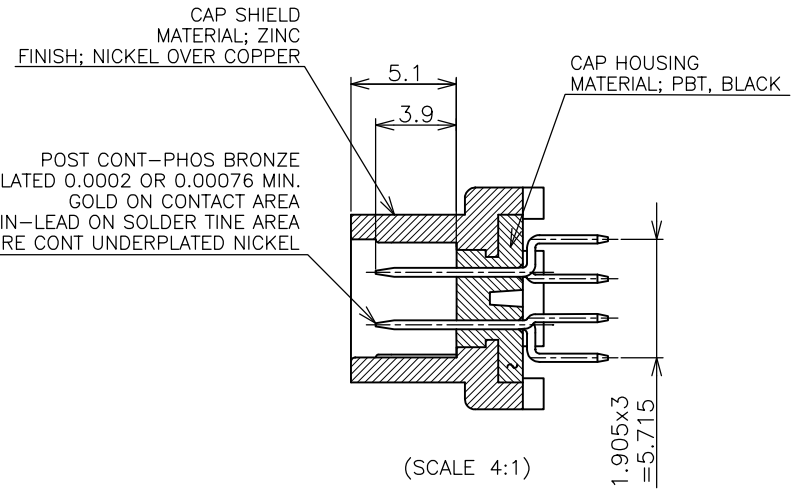
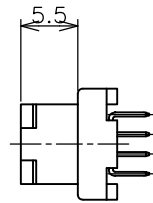
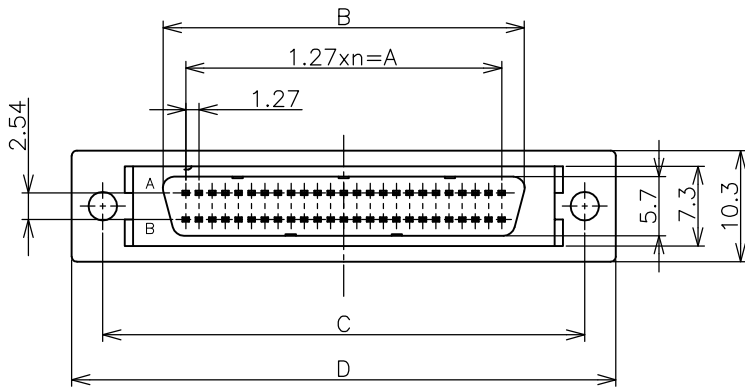


FIG. 2 FOR 50P



TOP OF POST (SOLDER SIDE)
(SCALE 20:1)

- P.C BOARD HOLE LAY-OUT AS SHOWN FIG.1 & 2.
- USED SCREW; M2.5x0.45 PANHEAD SCREW.
- CONNECTOR TO BE MATED;
X-174340-X

GENERAL TOLERANCE 10 ≥ ±0.2 30 ≥ >10: ±0.25 100 ≥ >30: ±0.3 ANGLES: ±3°	68	33	41.91	46.28	57.9	63.9	53.71	0.00076 MIN	2-174339-5
	50	24	30.48	34.85	46.5	52.5	42.28		2-174339-4
	68	33	41.91	46.28	57.9	63.9	53.71	0.0002 MIN	174339-5
	50	24	30.48	34.85	46.5	52.5	42.28		174339-4
	POS	N	A	B	C	D	E	GOLD THK	PART NO.

THIS DRAWING IS A CONTROLLED DOCUMENT.		DWN H.TAGUCHI 16DEC03	tyco Electronics	Tyco Electronics AMP K.K. Kawasaki, Japan		
DIMENSIONS: MM		CHK T.FUTATSUGI 16DEC03		NAME		
TOLERANCES UNLESS OTHERWISE SPECIFIED:		APVD H.KODAMA 16DEC03	CAP HEADER (VERTICAL/M2.5) AMPLIMITE .050 SERIES II CONN. TYPE B			
0 PLC ± -		PRODUCT SPEC	SIZE	CAGE CODE	DRAWING NO	RESTRICTED TO
1 PLC ± -		APPLICATION SPEC	A3	00779	C-174339	
2 PLC ± -		WEIGHT	SCALE 2:1		SHEET 1 OF 1	REV D
3 PLC ± -		CUSTOMER DRAWING				
4 PLC ± -						
ANGLES ± -						
FINISH						
SEE ABOVE						