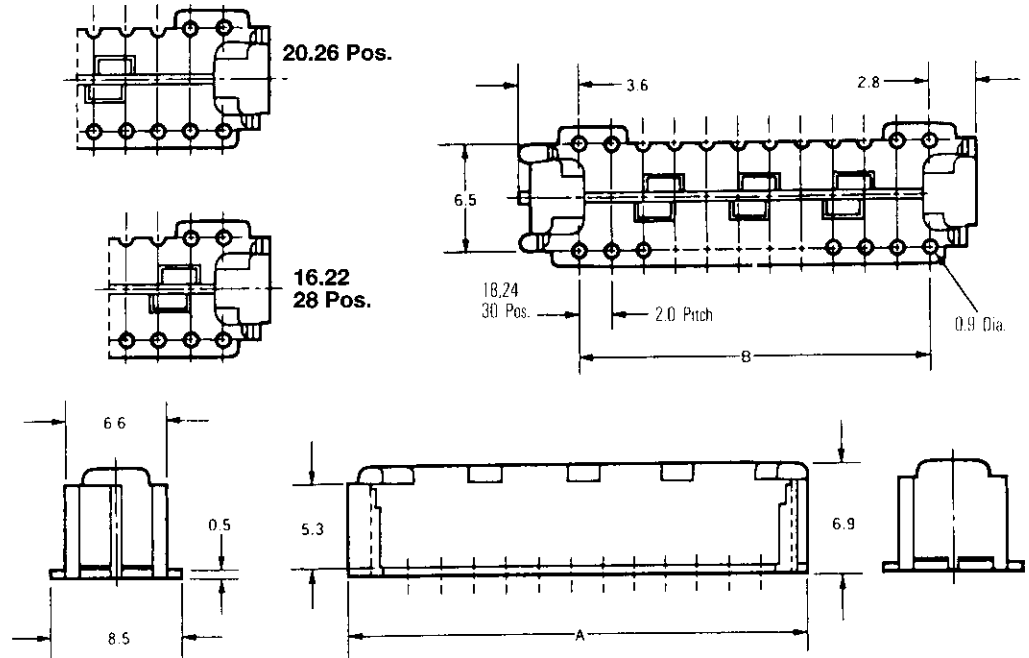


Wire to Board Connectors CT (Common Termination) Connector System Double Row Arrangement

Receptacle Connector Captivating Holder Reinforced Retention Connectors Type (Wire Application Side)

(Applicable connectors are MT connectors.)

Material : 66 Nylon, natural



No. of Pos.	Dimensions		Part Number of Holder	Part Number of Applicable Connector*
	A	B		
16	20.3	14.0	1-179608-6	173977-8
18	22.3	16.0	1-179608-8	173977-9
20	24.3	18.0	2-179608-0	1-173977-0
22	26.3	20.0	2-179608-2	1-173977-1
24	28.3	22.0	2-179608-4	1-173977-2
26	30.3	24.0	2-179608-6	1-173977-3
28	32.3	26.0	2-179608-8	1-173977-4
30	34.3	28.0	3-179608-0	1-173977-5

* For receptacle connectors, refer to sections on MT connectors.

** As to receptacle connectors, two pieces each are required per holder.