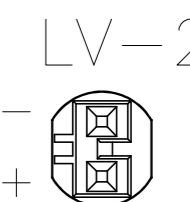
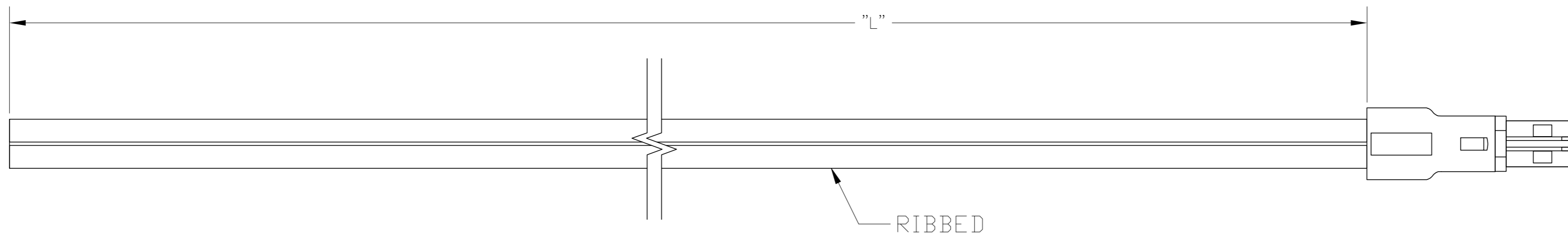


THIS DRAWING IS UNPUBLISHED. RELEASED FOR PUBLICATION
 © COPYRIGHT - By - ALL RIGHTS RESERVED.

| REVISIONS | | | | | |
|-----------|-----|---------------|-----------|-----|------|
| P | LTR | DESCRIPTION | DATE | DWN | APVD |
| | A1 | ECR-19-012676 | 14AUG2019 | GSK | SBH |



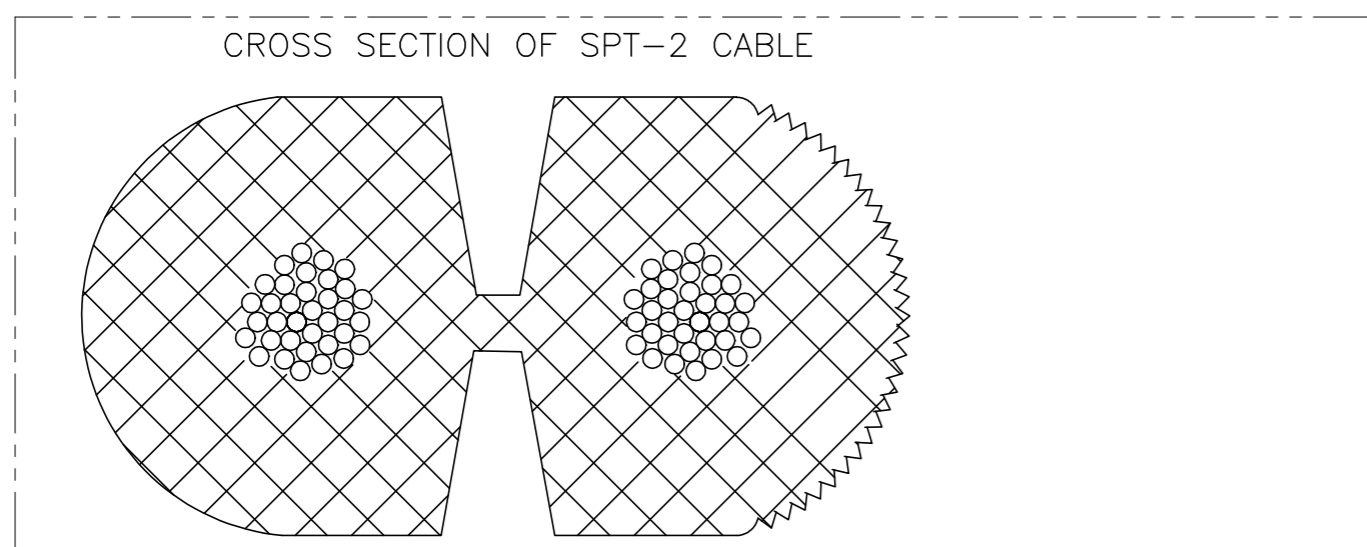
NOTES:

1. PACKAGING ACC. TO TE SPEC.107-18032
BUNDLE EVERY 25 ASSEMBLIES WITH A RUBBER BAND
2. ELECTRICAL TEST CONTAINING "SHORT CIRCUIT TEST, CONTINUITY AND ACCURATE CAVITY ASSIGNMENT TEST" ACC. TO TE-SPEC.108-18857, SUBSECTION 3.1.1

3 WIRING SCHEDULE AS SHOWN

4 PROP 65 WARNING LABEL, SEE SHEET 2

| WIRING SCHEDULE | | |
|-----------------|--------|------|
| | SIDE | PLUG |
| + | RIBBED | 1 |
| - | SMOOTH | 2 |



| | | |
|---------|---------------------|-----------|
| 16.0 FT | ±3.84 | 2181195-8 |
| 14.0 FT | ±3.36 | 2181195-7 |
| 12.0 FT | ±2.88 | 2181195-6 |
| 10.0 FT | ±2.4 | 2181195-5 |
| 8.0 FT | ±1.92 | 2181195-4 |
| 6.0 FT | ±1.44 | 2181195-3 |
| 4.0 FT | ±.96 | 2181195-2 |
| 2.0 FT | ±.48 | 2181195-1 |
| "L" | TOLERANCES [INCHES] | TE P/N |

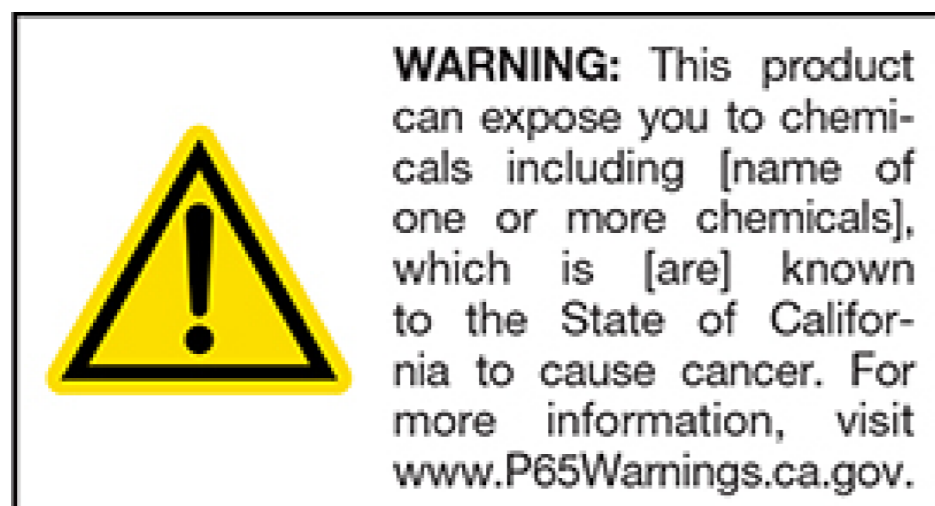
| | | | | |
|---|--|------------------------------------|--|-----------------------|
| THIS DRAWING IS A CONTROLLED DOCUMENT. | | DWN E.C. CLAYBAUGH 17/JUN/11 | | |
| DIMENSIONS: INCHES | | CHK P. BECKER 13/JUL/11 | | |
| TOLERANCES UNLESS OTHERWISE SPECIFIED: | | APVD P. BECKER 01/AUG/11 | NAME CABLE ASSY, NECTOR, LV-2, PLUG - PIGTAIL | |
| 0 PLC ± - 1 PLC ± - 2 PLC ± - 3 PLC ± - 4 PLC ± - ANGLES ± - | | PRODUCT SPEC APPLICATION SPEC | SIZE A2 | |
| MATERIAL | | WEIGHT | CAGE CODE 00779 | DRAWING NO 2181195 |
| | | CUSTOMER DRAWING | SCALE NTS | SHEET 1 of 2 |
| | | | REV A1 | |

THIS DRAWING IS UNPUBLISHED. RELEASED FOR PUBLICATION -,-
 © COPYRIGHT - By - ALL RIGHTS RESERVED.

| REVISIONS | | | | | |
|-----------|-----|-------------|------|-----|------|
| P | LTR | DESCRIPTION | DATE | DWN | APVD |
| - | - | SEE SHEET 1 | - | - | - |

NOTES:

- 4 CONTINUATION FROM SHEET 1:
- THE WARNING LABEL IS TO BE ON THE PRODUCT OR LOWEST LEVEL PACKAGING THAT IS FEASIBLE. (IN THE EASIEST WAY FOR TE, IT WOULD BE ON THE BOX OR ON THE POLYBAG IF EXIST)
 - THE LABEL REQUIRES COLOR, UNLESS THE EXISTING PRODUCT LABELING SCHEME IS BLACK ON WHITE, THEN THE PROP 65 WARNING MAY ALSO BE BLACK ON WHITE (NO YELLOW).
 - THE MINIMUM FONT SIZE IS 6mm
 - CHEMICAL NAME: ANTIMONY TRIOXIDE



| | | | | |
|---|--------|------------------------------------|--|-------------------------|
| THIS DRAWING IS A CONTROLLED DOCUMENT. | | DWN E.C. CLAYBAUGH 17/JUN/11 | | |
| DIMENSIONS: INCHES | | CHK P. BECKER 13/JUL/11 | | |
| TOLERANCES UNLESS OTHERWISE SPECIFIED: | | APVD P. BECKER 01/AUG/11 | NAME CABLE ASSY, NECTOR, LV-2, PLUG - PIGTAIL | |
| 0 PLC ± - 1 PLC ± - 2 PLC ± - 3 PLC ± - 4 PLC ± - ANGLES ± - | | PRODUCT SPEC APPLICATION SPEC | SIZE A2 | |
| MATERIAL | FINISH | WEIGHT | CAGE CODE 00779 | DRAWING NO C=2181195 |
| - | | - | RESTRICTED TO | - |
| CUSTOMER DRAWING | | | SCALE NTS | SHEET 2 of 2 |
| | | | REV A1 | |