

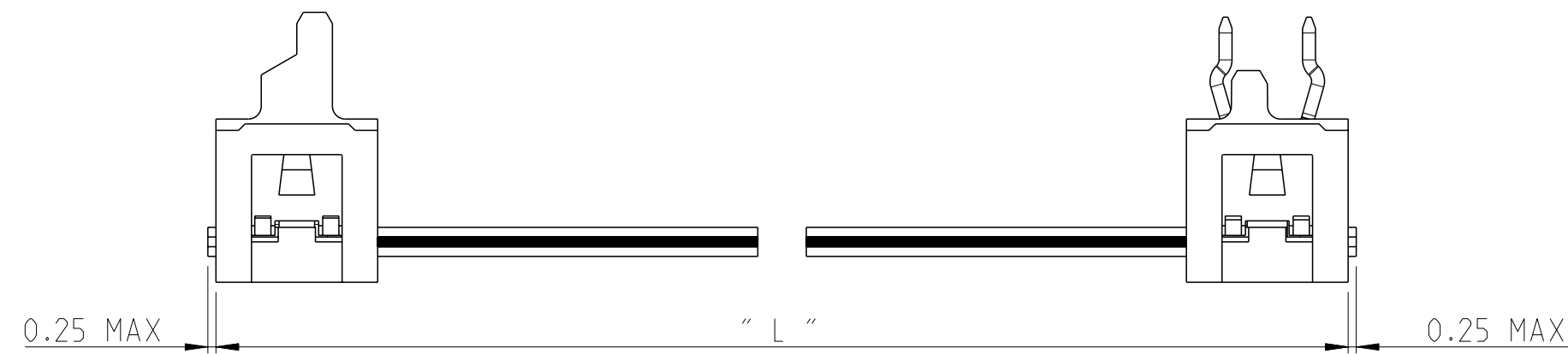
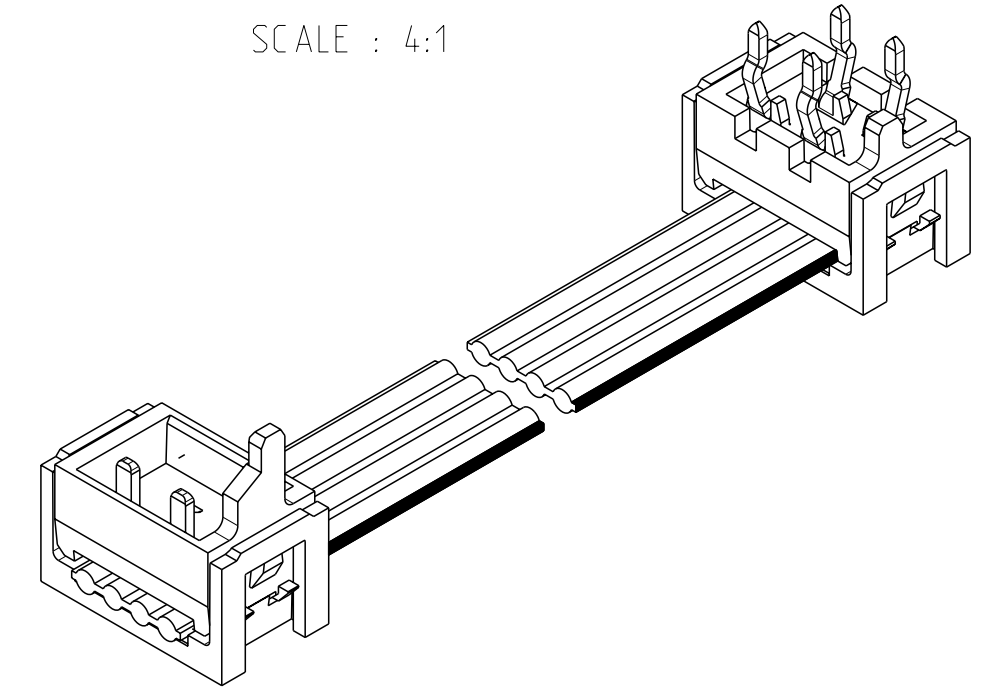
THIS DRAWING IS UNPUBLISHED. RELEASED FOR PUBLICATION 20
 © COPYRIGHT 20 BY - ALL RIGHTS RESERVED.

NOTES:

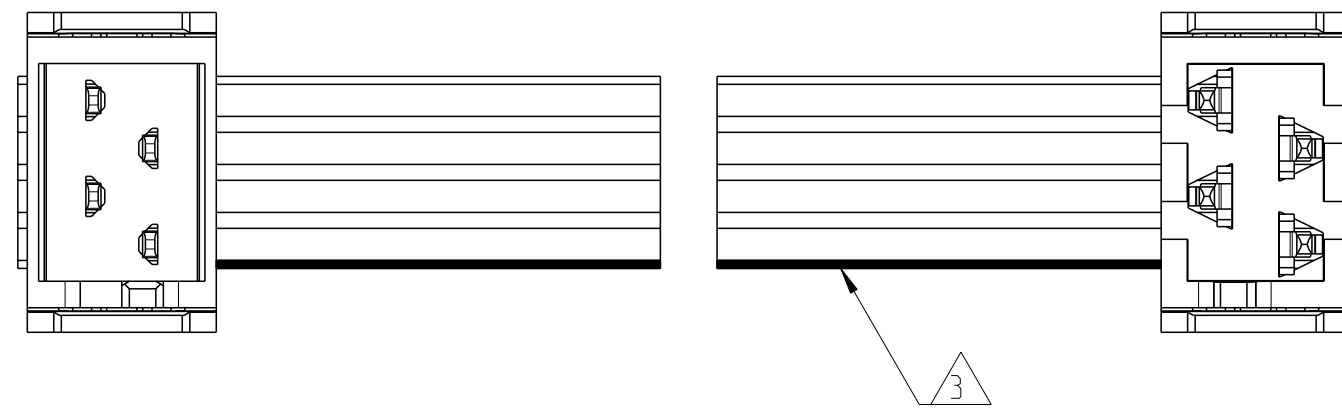
- 1 ASSEMBLIES TO BE TESTED FOR 100% CONTINUITY
- 2 ASSEMBLIES ARE PACKAGED ACCORDING PACKAGING SPEC 107-19582
- 3 RED MARKED CORRESPONDS TO PIN 1
- 4 FOR MOW TO MOW SEE 2205060

| REVISIONS | | | | |
|-----------|-----|-----------------|-----------|--------|
| P | LTR | DESCRIPTION | DATE | APVD |
| A | | INITIAL RELEASE | 16DEC2013 | KR BvH |
| | | | | |
| | | | | |

SCALE : 4:1



SIDE A



SIDE B

2205068-X (4 POSITION CABLE ASSEMBLY) AS SHOWN

| TE PN | POS | LENGTH | DESCRIPTION |
|-----------|-----|--------|------------------------------|
| 2205077-3 | 20 | 200 | CA MICRO-MATCH MOW -PB 20POS |
| 2205077-2 | 20 | 130 | CA MICRO-MATCH MOW -PB 20POS |
| 2205077-1 | 20 | 70 | CA MICRO-MATCH MOW -PB 20POS |
| 2205075-3 | 18 | 200 | CA MICRO-MATCH MOW -PB 18POS |
| 2205075-2 | 18 | 130 | CA MICRO-MATCH MOW -PB 18POS |
| 2205075-1 | 18 | 70 | CA MICRO-MATCH MOW -PB 18POS |
| 2205074-3 | 16 | 200 | CA MICRO-MATCH MOW -PB 16POS |
| 2205074-2 | 16 | 130 | CA MICRO-MATCH MOW -PB 16POS |
| 2205074-1 | 16 | 70 | CA MICRO-MATCH MOW -PB 16POS |
| 2205073-3 | 14 | 200 | CA MICRO-MATCH MOW -PB 14POS |
| 2205073-2 | 14 | 130 | CA MICRO-MATCH MOW -PB 14POS |
| 2205073-1 | 14 | 70 | CA MICRO-MATCH MOW -PB 14POS |
| 2205072-3 | 12 | 200 | CA MICRO-MATCH MOW -PB 12POS |
| 2205072-2 | 12 | 130 | CA MICRO-MATCH MOW -PB 12POS |
| 2205072-1 | 12 | 70 | CA MICRO-MATCH MOW -PB 12POS |
| 2205071-3 | 10 | 200 | CA MICRO-MATCH MOW -PB 10POS |
| 2205071-2 | 10 | 130 | CA MICRO-MATCH MOW -PB 10POS |
| 2205071-1 | 10 | 70 | CA MICRO-MATCH MOW -PB 10POS |
| 2205070-3 | 8 | 200 | CA MICRO-MATCH MOW -PB 8POS |
| 2205070-2 | 8 | 130 | CA MICRO-MATCH MOW -PB 8POS |
| 2205070-1 | 8 | 70 | CA MICRO-MATCH MOW -PB 8POS |
| 2205069-3 | 6 | 200 | CA MICRO-MATCH MOW -PB 6POS |
| 2205069-2 | 6 | 130 | CA MICRO-MATCH MOW -PB 6POS |
| 2205069-1 | 6 | 70 | CA MICRO-MATCH MOW -PB 6POS |
| 2205068-3 | 4 | 200 | CA MICRO-MATCH MOW -PB 4POS |
| 2205068-2 | 4 | 130 | CA MICRO-MATCH MOW -PB 4POS |
| 2205068-1 | 4 | 70 | CA MICRO-MATCH MOW -PB 4POS |

THIS DRAWING IS A CONTROLLED DOCUMENT.

DWN: 13DEC 2013 K. RAGHAVENDRA
 CHK: 23DEC 2013 B. VELDHOVEN
 APVD: 23DEC 2013 G. DOREMALLEN VAN

STE TE Connectivity

NAME: CABLE ASSY MICRO-MATCH MOW -PB

PRODUCT SPEC: -
 APPLICATION SPEC: -
 WEIGHT: -

SIZE: A2 CAGE CODE: - DRAWING NO: C-2205068 RESTRICTED TO: -

Customer Drawing SCALE: 5:1 SHEET: 1 OF 1 REV: A