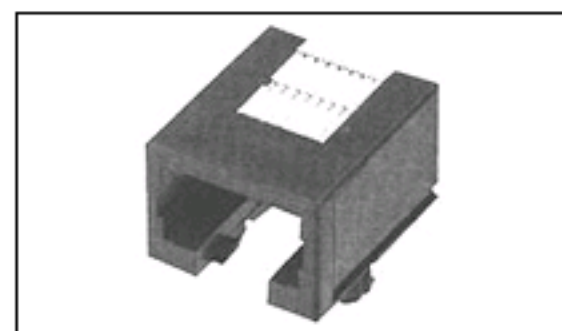




2-215876-3 Product Details

Share | Print | Email



2-215876-3

TE Internal Number: 2-215876-3

Active

View 3D PDF

PCB Mounted Jacks - Single Port, Multi-port and Stacked

Converted to EU RoHS/ELV Compliant (Statement of Compliance)

Product Highlights:

- Connector
- Preloaded
- Single Port Configuration
- 1 x 1 Jack Configuration
- Jack Type = RJ25

[View all Features](#)

Quick Links

- ▶ Pricing & Availability
- ▶ Search for Tooling
- ▶ Product Feature Selector
- ▶ Contact Us About This Product

[Add to My Part List](#) | [Request Sample](#) | [Find Similar Products](#) | [Buy Product](#)

Documentation & Additional Information

Product Drawings:

- [MODULAR JACK, SIDE ENTRY, 6/6 FOR PRINTED CIRCUIT BOARD \(PDF, English\)](#)

Catalog Pages/Data Sheets:

- None Available

Product Specifications:

- None Available

Application Specifications:

- None Available

Instruction Sheets:

- None Available

CAD Files: (CAD Format & Compression Information)

- [2D Drawing \(DXF, Version L\)](#)
- [3D Model \(IGES, Version L\)](#)
- [3D Model \(STEP, Version L\)](#)

Additional Information:

- [Product Line Information](#)

Related Products:

- [Tooling](#)

[List all Documents](#)

Product Features (Please use the Product Drawing for all design activity)

Product Type Features:

- Product Type = Connector
- Jack Type = RJ25
- PCB Mounting Orientation = Side Entry (Right Angle)
- PCB Mount Style = Through Hole
- Termination Method to PC Board = Solder
- Performance Category = Cat 3
- LED = Without
- Grounding Options = Without
- Panel Stops = Without
- Keyed = No
- Profile = Low
- Color = Black
- Latch Style = Standard

Mechanical Attachment:

- Panel Mount Retention = With
- Flanged = No

Electrical Characteristics:

- Shielded = No

Termination Features:

- Solder Tail Contact Plating = Tin over Nickel

Dimensions:

- Height (mm [in]) = 11.50 [0.453]
- PCB Tail Length (mm [in]) = 3.20 [0.126]
- PCB Thickness, Recommended (mm [in]) = 1.57 [0.062]

Body Features:

- Inverted Jack Face = No

Contact Features:

- Contact Plating, Mating Area, Material = Gold (50)
- Contact Base Material = Phosphor Bronze

Housing Features:

- Housing Material = High Temperature Nylon
- UL Flammability Rating = UL 94V-0

Configuration Features:

- Preloaded = Yes
- Port Configuration = Single
- Jack Configuration = 1 x 1
- Number of Positions = 6
- Number of Contacts Loaded = 6

Industry Standards:

- RoHS/ELV Compliance = RoHS compliant, ELV compliant
- Lead Free Solder Processes = Wave solder capable to 260°C, Wave solder capable to 240°C, Wave solder capable to 265°C
- RoHS/ELV Compliance History = Converted to comply with RoHS directive

Packaging Features:

- Packaging Method = Tape Mounted on Reel
- Packaging Quantity = 800 Pieces Per Reel

Product Availability:

- Region = Asia, North America

Other:

- Brand = AMP
- Comment = True positioning of the solder tines may be affected by bulk packaging.

Corporate Information

- [About TE](#)
- [Investors](#)
- [News Room](#)
- [Supplier Portal](#)
- [Careers](#)
- [Terms & Conditions](#)
- [Privacy Policy](#)

Quick Links

- [Distributor Inventory](#)
- [Product Cross Reference](#)
- [Documents & Drawings](#)
- [Product Compliance Support Center](#)
- [Site Map](#)

Customer Support

- [Email or Chat With Us](#)
- [Find a Phone Number](#)
- [Knowledge Base](#)
- [Manage Your Account](#)

Keep Me Informed

