



Z-PACK 2mm FutureBus+ Connectors (Continued)
IEC61076-4-0X(48B)

5 Row — Signal Modules, Right Angle Receptacle Assemblies
(Free-Board Connector), 2mm x 2mm Circuit Grid

Receptacle Assemblies with Solder Leads and Compliant Press-Fit Leads

Material and Finish:

Housing — Liquid crystal polymer
Receptacle Contacts — Copper alloy 18C, duplex plated gold flash over 0.0008 min. palladium-nickel on mating surface, 0.0038 min. tin-lead on solder lead, with entire contact underplated 0.0013 nickel

Related Product Data

Material Specifications — page 293
Compliant Press-Fit Contact Specifications — page 293
Application Tooling — page 360

Technical Documents

Product Specification
108-1441

Application Specification
114-1075

Instruction Sheets
408-6927, 408-9910, 408-9979

Electrical Performance Report
1242176

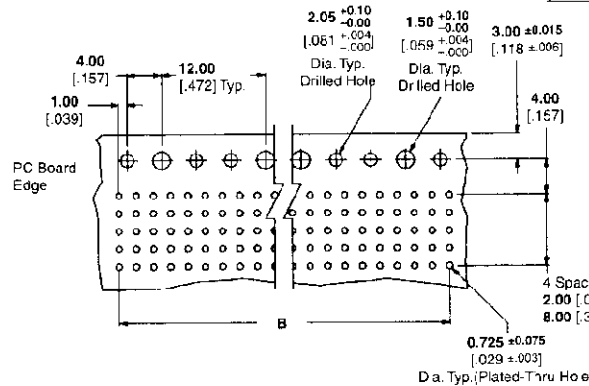
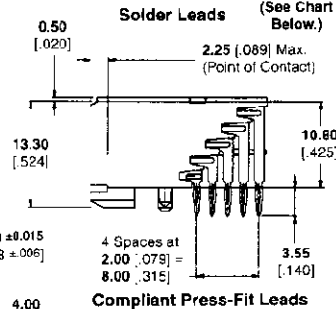
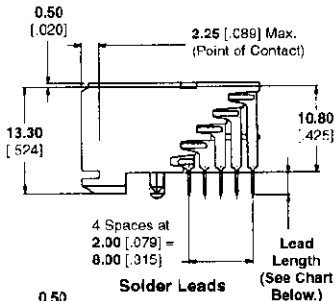
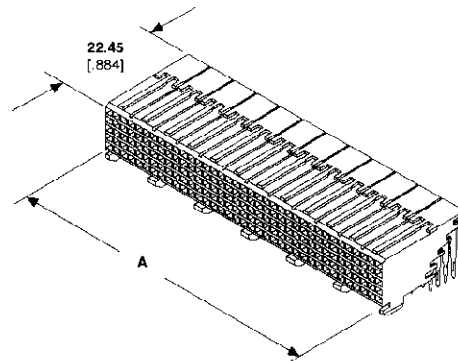
5 Row Select Load R/A Receptacle Assemblies

Notes: Right angle receptacles can be select loaded by column. Consult AMP Incorporated for loading patterns and part numbers

5 Row Extended Length R/A Receptacle Assemblies

Part Number 223036
Part Number 223054

Notes: Refer to customer drawing for specific loading patterns and part numbers. Consult AMP Incorporated for additional versions.



Recommended PC Board Hole Layout
per IPC-D-300, Type II, Class C (Component Side)

Receptacle Assembly

No. of Positions	Dimensions A B		Part Numbers			Seating Tooling
			with Solder Leads		with Press-Fit Leads	
			2.73 [0.107] Lead Length	3.53 [0.139] Lead Length		
30	11.88 0.468	10.00 0.394	223004-1	223007-1	223008-1	Industry Standard Flat Rock
60	23.88 0.940	22.00 0.866	223004-2	223007-2	223008-2	
90	35.88 1.413	34.00 1.339	223004-3	223007-3	223008-3	
120	47.88 1.885	46.00 1.811	223004-4	223007-4	223008-4	
150	59.88 2.357	58.00 2.283	223004-5	223007-5	223008-5	
180	71.88 2.830	70.00 2.756	223004-6	223007-6	223008-6	
210	83.88 3.302	82.00 3.228	223004-7	223007-7	223008-7	
240	95.88 3.775	94.00 3.701	223004-8	223007-8	223008-8	
270	107.88 4.247	106.00 4.173	223004-9	223007-9	223008-9	
300	119.88 4.720	118.00 4.646	1-223004-0	1-223007-0	1-223008-0	
330	131.88 5.192	130.00 5.118	1-223004-1	1-223007-1	1-223008-1	

Note: Contact AMP for additional sizes.