

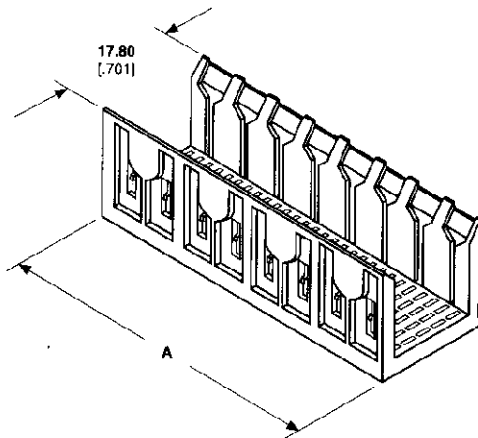
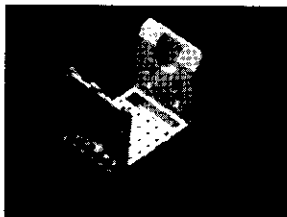


Z-PACK 2mm FutureBus+ Connectors (Continued)

IEC61076-4-0X(48B)

5 Row — Vertical Feed-Through Shrouds

18mm Wide Body Pin Assemblies with Feed-Through Compliant Press-Fit Leads



Material and Finish:

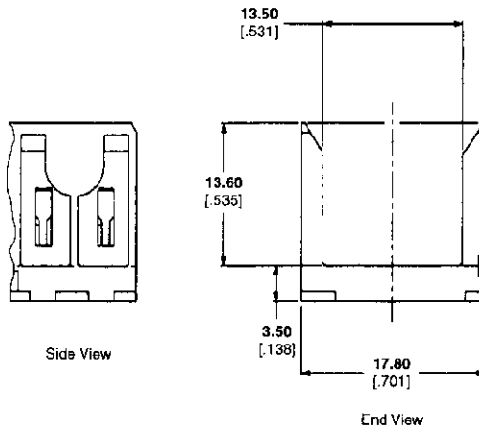
Housing — Liquid crystal polymer
Pin Contacts — Phosphor bronze, entire contact plated gold flash over 0.0008 min., palladium nickel on mating surfaces, with entire contact underplated .00013 nickel

Related Product Data

- Material Specifications** — page 277
- Compliant Press-Fit Contact Specifications** — page 277
- Application Tooling** — page 338

Technical Documents

- Product Specification** 108-144
- Application Specification** 114-1075
- Instruction Sheets** 408-6927, 408-9910, 408-9979
- Electrical Performance Report** 1242176



Compliant Press-Fit Leads

| Number of Positions | Dimensions | | Part Number |
|---------------------|-----------------|-----------------|-------------|
| | A | B | |
| 30 | 11.88 .468 | 10.00 .394 | 223041-1 |
| 60 | 23.88 .940 | 22.00 .866 | 223041-2 |
| 90 | 35.88 1.413 | 34.00 1.339 | 223041-3 |
| 120 | 47.88 1.885 | 46.00 1.811 | 223041-4 |
| 150 | 59.88 2.357 | 58.00 2.283 | 223041-5 |
| 180 | 71.88 2.830 | 70.00 2.756 | 223041-6 |
| 210 | 83.88 3.302 | 82.00 3.228 | 223041-7 |
| 240 | 95.88 3.775 | 94.00 3.701 | 223041-8 |
| 270 | 107.88 4.247 | 106.00 4.173 | 223041-9 |