

THIS DRAWING IS UNPUBLISHED.

RELEASED FOR PUBLICATION

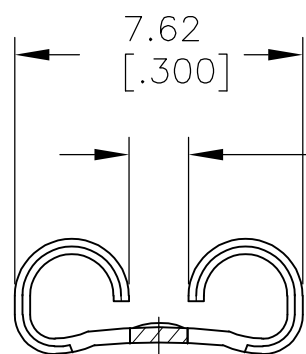
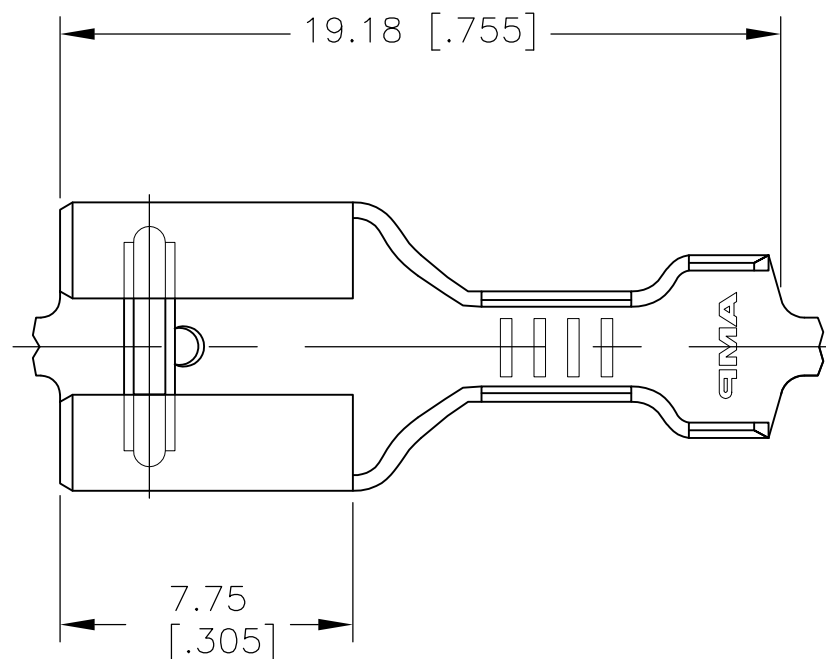
REVISIONS

© COPYRIGHT - By -

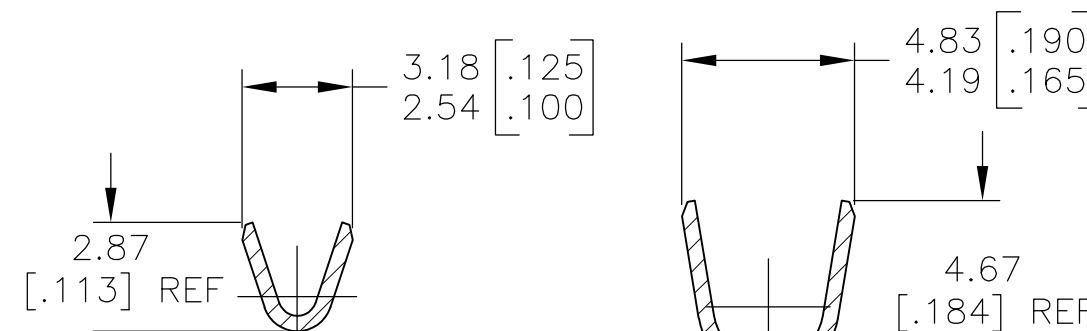
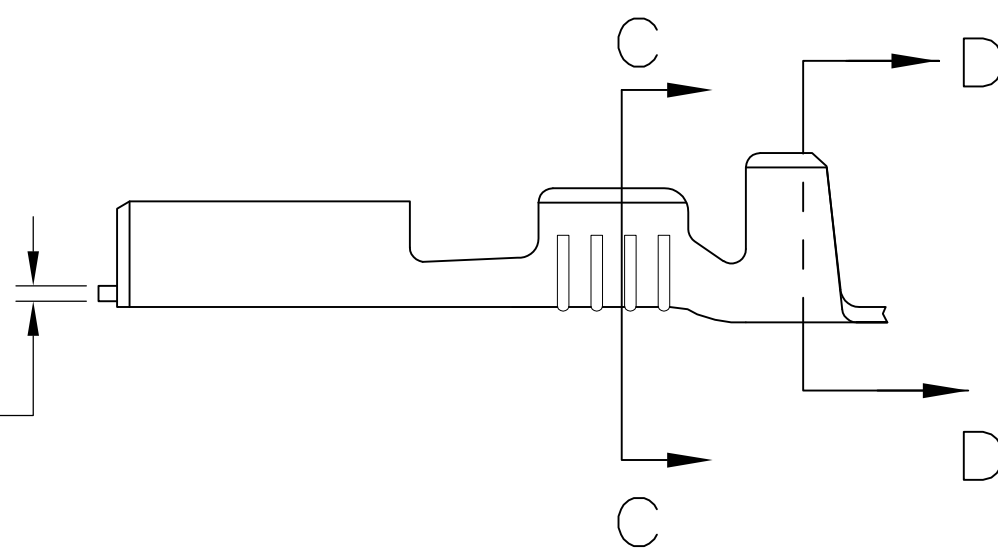
ALL RIGHTS RESERVED.

P	LTR	DESCRIPTION	DATE	DWN	APVD
	A	RELEASED	5/5/16	RS	DH

- 1 CONTINUOUS STRIP ON REELS
- 2 WIRE SIZE IS #22-#18 AWG
- 3 INSULATION RANGE IS 2.29-3.30 [.090-.130] DIA
- 4 MATING TAB THK IS 0.81±0.025 [.032±.001]



0.41±0.025
[.016±.001]



TIN PLATE	2238027-4
NONE	2238027-3
FINISH	PART NO.

THIS DRAWING IS A CONTROLLED DOCUMENT.		DWN	JR RUTH	25MAR2013	 TE Connectivity	PRELIMINARY	
DIMENSIONS: MM [INCHES]		CHK	PETE DESANTIS	25MAR13			
TOLERANCES UNLESS OTHERWISE SPECIFIED:		APVD	PETE DESANTIS	25MAR13			
0 PLC ± - 1 PLC ± - 2 PLC ± 0.25 [.010] 3 PLC ± - 4 PLC ± - ANGLES ± -		NAME					
MATERIAL BRASS		FINISH SEE TABLE		PRODUCT SPEC	RECEPTACLE, FASTON, LOW INSERTION, .250 SERIES		RESTRICTED TO
		WEIGHT	0.000000	SIZE	A3	CAGE CODE	00779
		CUSTOMER DRAWING		DRAWING NO	C-2238027		
				SCALE	5:1	SHEET	1 OF 1
						REV	A