



250 SERIES MINIATURE FASTON RECEPTACLE

Low insertion force terminal fits where others do not

TE Connectivity (TE) introduces a 250 series straight, miniature FASTON receptacle terminal for applications where there is not enough space for a traditional, full size straight receptacle. Many power tools, small appliances and other applications have very limited space for the quick connect crimp connections. TE's 250 series straight, miniature FASTON receptacle provides a solution. This miniature, tin plated brass receptacle mates with a standard .250 x .032 tab and supports a continuous current rating up to 7 amps, and an intermittent current rating up to 14 amps. Its smaller size supports competitive pricing. Insertion and extraction forces are comparable to full size FASTON receptacles.

FEATURES AND BENEFITS:

- With its miniature size this receptacle fits within confined spaces, and – as a straight terminal – it typically costs less than a flag receptacle that might have been considered to dress the wire out of the confined space.
- The low insertion force of only 8 pounds or 35.6 Newtons maximum is ergonomically-friendly, and this may help to increase line workers' comfort and productivity when making connections.
- As a 250 series receptacle, it mates with standard .250 x .032 inch tabs that are broadly used across a range of applications.
- Accepting 22 through 18 gauge wire, it supports a continuous current rating up to 7 amps, and an intermittent current rating up to 14A.
- The robust design meets UL 310 and CSA C 22.2 No. 153 requirements, and this agency recognition may aid OEMs the compliance of their end products.
- UL Recognized, File E66717

APPLICATIONS:

- Power tools
- Small appliances
- Applications with limited space

APPLICATION TOOLING:

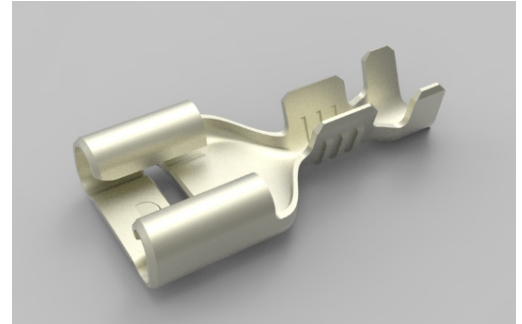
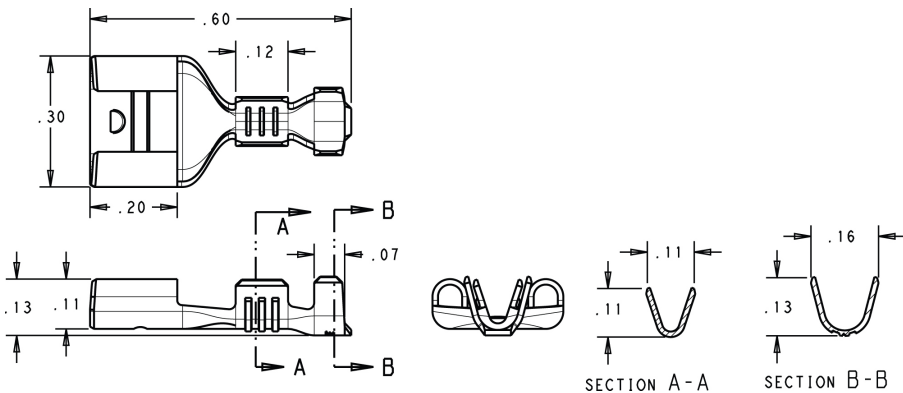
This 250 series miniature FASTON receptacle is designed to be a machine-applied terminal. Application tooling is available from TE in the form of an OCEAN end-feed applicator. (part number X-2150663-Y) The OCEAN applicator can be used with a range of different presses and leadmakers.

TE offers no hand tool for the application of this new receptacle. It is expected to be applied in volume applications where semi- or fully-automated process is used.

250 SERIES MINIATURE FASTON RECEPTACLE

Low insertion force terminal fits where others do not

2238045-2 OUTLINE DIMENSIONS: Dimensions are shown in inches, multiply by 25.4 for millimeters.



2238045-2 PART NUMBER DETAILS:

| Part Number | Description | Terminal Style | Crimp Style | Wire Size | Mates With | Insulation Diameter | Material | Thickness |
|-------------|-----------------------------------|---|---------------------|--|---|-------------------------------|------------------|------------------|
| 2238045-2 | 250 Series Mini FASTON Receptacle | Straight terminal, .6 in (15.24mm) long | F-crimp open barrel | 22 - 18 AWG (0.3 - 0.9 mm ²) | .250 x .032 in (6.3 x .81 mm) tabs with retention holes | 0.094 - 0.11 in (2.4- 2.8 mm) | Tin-plated brass | 0.126 in (.32mm) |

DESIGN IN QUESTIONS:

1. Do you have a space constrained design where you need to mate to a .250x.032 tab with a quick disconnect?
2. Are you using .250 inch flag terminals to dress 22 - 18 AWG wire out of a tight space?

If the answers are “yes,” TE’s 250 series miniature FASTON receptacle may represent a possible solution for the application. Its compact size allows it to fit where full size straight 250 series receptacles may not. Additionally, its small size may allow this straight receptacle to be used where a more expensive flag receptacle was previously required.

TE TECHNICAL SUPPORT CENTER

USA: +1 (800) 522-6752

Canada: +1 (905) 475-6222

Mexico: +52 (0) 55-1106-0800

Latin/S. America +54 (0) 11-4733-2200

Germany: +49 (0) 6251-133-1999

UK: +44 (0) 800-267666

France: +33 (0) 1-3420-8686

Netherlands: +31 (0) 73-6246-999

China: +86 (0) 400-820-6015 te.com

te.com

FASTON, Positive Lock, TE Connectivity, TE Connectivity (logo) and Every Connection Counts are trademarks. All other logos, products and/or company names referred to herein might be trademarks of their respective owners.

The information given herein, including drawings, illustrations and schematics which are intended for illustration purposes only, is believed to be reliable. However, TE Connectivity makes no warranties as to its accuracy or completeness and disclaims any liability in connection with its use. TE Connectivity’s obligations shall only be as set forth in TE Connectivity’s Standard Terms and Conditions of Sale for this product and in no case will TE Connectivity be liable for any incidental, indirect or consequential damages arising out of the sale, resale, use or misuse of the product. Users of TE Connectivity products should make their own evaluation to determine the suitability of each such product for the specific application.

© 2016 TE Connectivity Ltd. family of companies All Rights Reserved.

1-1773904-1

12/16

Original