

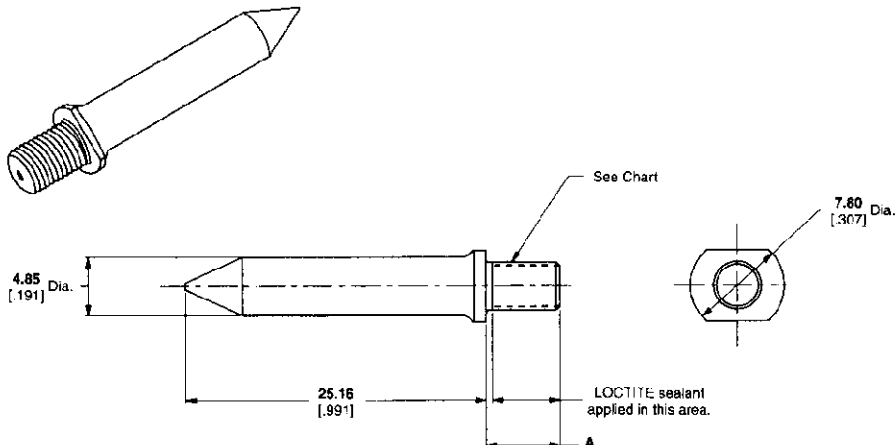


# Z-PACK 2mm HM Connectors (Continued)

## Guiding Hardware

### Guide Pin

Material and Finish:  
 Passivated stainless steel.  
 Part Number 223956-1.



A	Thread	Part Numbers
7.5 [.295]	M4 x 7-6G	223982-1*
9.2 [.362]	M4 x 7-6G	223969-7
12.7 [.500]	8-32 UNC-2A	223969-4
12.7 [.500]	M4 x 7-6G	223969-7
6.2 [.244]	M4 x 7-6G	223956-1

\*6.35 Hex Base

### Female Guide Module

Material and Finish:  
 Zinc alloy, chromate conversion coated.

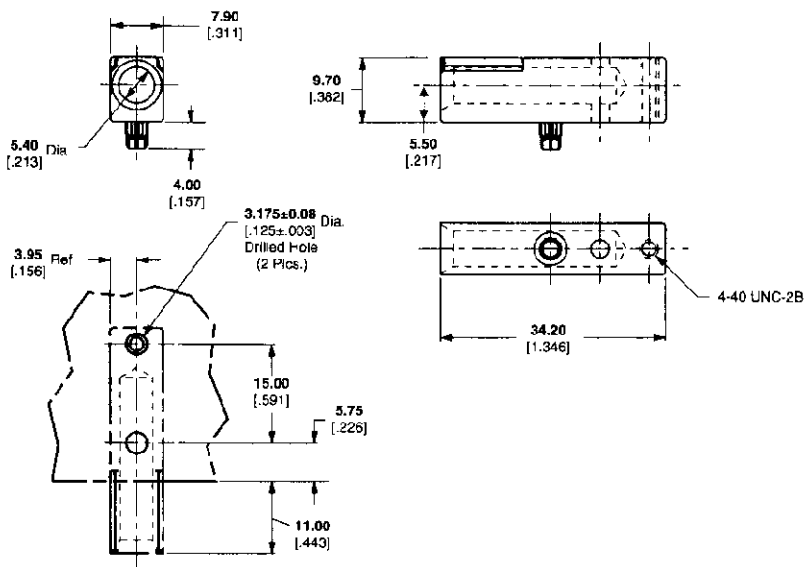
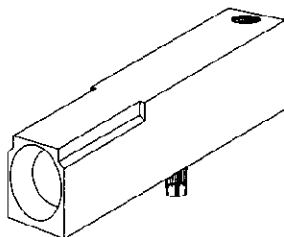
Related Product Data:  
 Application Tooling —  
 Seating Tool, 224440-1.  
 Board Support Fixture, 217603-1.

Technical Documents:  
 Product Specification  
 108-1651.

Application Specification  
 114-1103.

Part Number 223957-1.  
 (as shown)

Part Number 223979-1.  
 (dual alignment posts)



Recommended PC Board Hole Layout