

Distributed by:

JAMECO[®]
ELECTRONICS

www.Jameco.com ♦ 1-800-831-4242

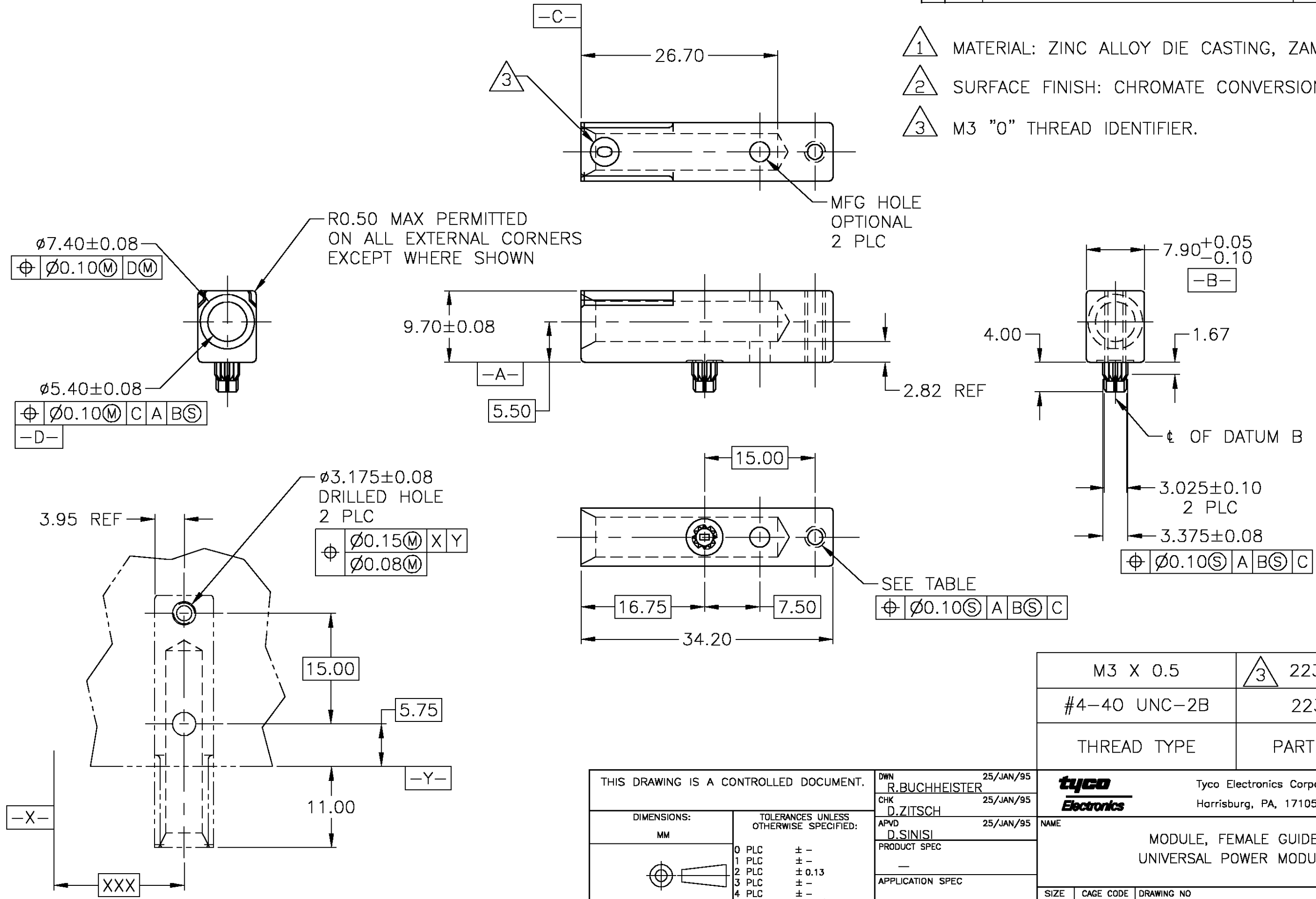
The content and copyrights of the attached
material are the property of its owner.

Jameco Part Number 840190

THIS DRAWING IS UNPUBLISHED. RELEASED FOR PUBLICATION
 © COPYRIGHT BY TYCO ELECTRONICS CORPORATION. ALL RIGHTS RESERVED.

LOC	DIST	REVISIONS					
AD	00	P	LTR	DESCRIPTION	DATE	DWN	APVD
		F		REV PER EC 0S12-0186-03	06MAY03	BC	RP

- 1 MATERIAL: ZINC ALLOY DIE CASTING, ZAMAK 3.
- 2 SURFACE FINISH: CHROMATE CONVERSION COATING.
- 3 M3 "0" THREAD IDENTIFIER.



THIS DRAWING IS A CONTROLLED DOCUMENT.		DWN	25/JAN/95	 Tyco Electronics Corporation Harrisburg, PA, 17105-3608	NAME		MODULE, FEMALE GUIDE, UNIVERSAL POWER MODULE		
DIMENSIONS: MM		CHK	25/JAN/95		PRODUCT SPEC		SIZE		
TOLERANCES UNLESS OTHERWISE SPECIFIED:		APVD	25/JAN/95		APPLICATION SPEC		CAGE CODE		
0 PLC $\pm -$ 1 PLC $\pm -$ 2 PLC ± 0.13 3 PLC $\pm -$ 4 PLC $\pm -$ ANGLES $\pm -$		PRODUCT SPEC			DRAWING NO		RESTRICTED TO		
MATERIAL 1		FINISH 2		WEIGHT -		A3 00779 C-223957			
CUSTOMER DRAWING				SCALE	2:1	SHEET	1 OF 1	REV	F