

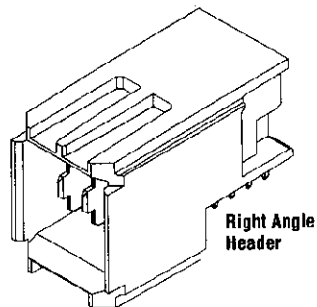
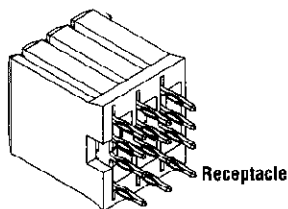
Universal Power Module - Right Angle Header

Material and Finish:

Housing — Liquid crystal polymer, natural color

Contacts — Phosphor bronze, plated 0.00127 [.000050] min. gold in mating area, 0.00050 [.000020] min. tin-lead on ACTION PIN post area, with entire contact underplated 0.00127 [.000050] min. nickel

Note: Contact lubrication with Bellcore approved lubricant



Related Product Data:

Guiding Hardware (Optional) — page 230.

Application Tooling —

Header

Seating Tool, 224441-1
Board Support Fixture, 224442-1.

Receptacle

Seating Tool, 224421-1
Board Support Fixture, 217602-1.

Technical Documents:

Product Specification

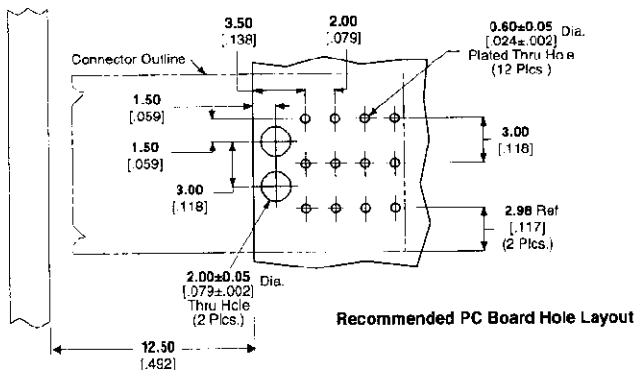
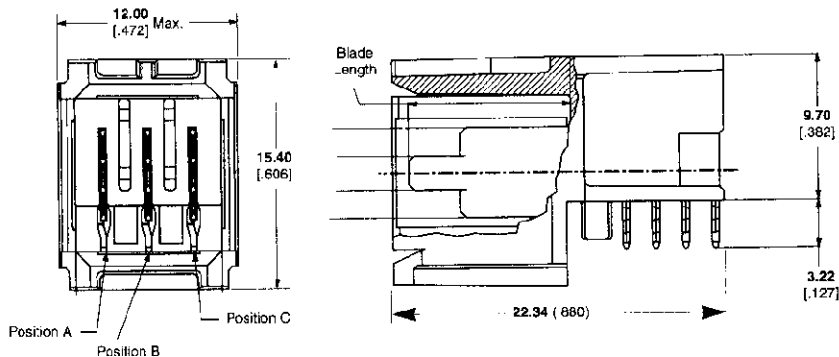
108-1651

Application Specification

114-1103

AMP Instruction Sheet

408-4169 (Receptacle Seating Tool 224421-1)



Blade Length Dimensions			Right Angle Header Part Numbers
Position A	Position B	Position C	
10.90 [.429]	10.90 [.429]	10.90 [.429]	223961-1
10.90 [.429]	9.30 [.366]	10.90 [.429]	223962-1
10.90 [.429]	9.30 [.366]	9.30 [.366]	223968-1
10.90 [.429]	7.68 [.302]	10.90 [.429]	223972-1
10.90 [.429]	7.68 [.302]	9.30 [.366]	223971-1
10.90 [.429]	7.68 [.302]	7.68 [.302]	223970-1
9.30 [.429]	10.90 [.429]	9.30 [.366]	223963-1
9.30 [.366]	10.90 [.429]	7.68 [.302]	223964-1
9.30 [.366]	9.30 [.366]	9.30 [.366]	223967-1
9.30 [.366]	—	9.30 [.366]	223975-1
9.30 [.366]	9.30 [.366]	7.68 [.302]	223981-1
9.30 [.366]	7.68 [.302]	9.30 [.366]	223965-1
7.68 [.302]	9.30 [.366]	7.68 [.302]	223983-1
7.68 [.302]	7.68 [.302]	9.30 [.366]	223980-1
7.68 [.302]	7.68 [.302]	7.68 [.302]	223974-1

Backplane Systems

Backplane Connectors