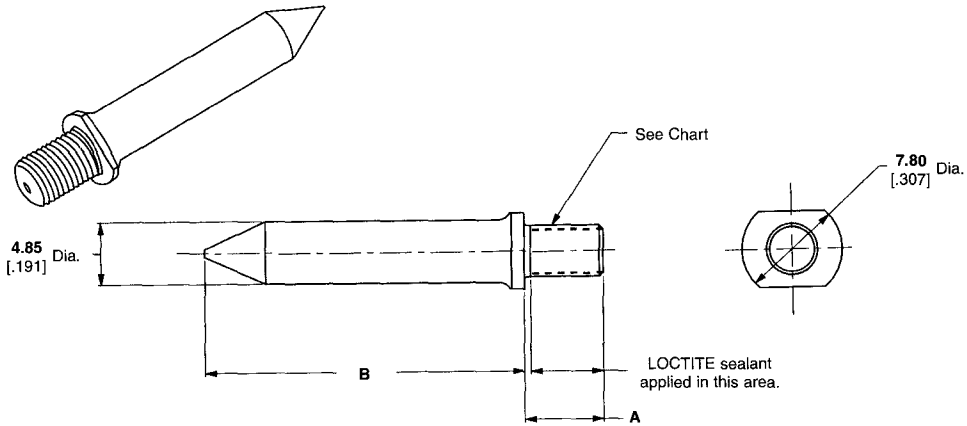


Z-PACK HM-Zd Connector (Continued)

Power and Guide Hardware
(Continued)

Guide Pin (Unkeyed)

Material and Finish
Guide Pin — Passivated stainless steel
Part Number 223956-1



Dimension		Thread	Part Numbers
A	B		
7.50 [0.295]	24.73 [0.974]	M4 x 7-6g	223982-1 1, 2
9.20 [0.362]	25.16 [0.991]	M4 x 7-6g	223969-7 2
12.70 [0.500]	25.16 [0.991]	8-32 UNC-2A	223969-4 2
12.70 [0.500]	25.16 [0.991]	M4 x 7-6g	223969-1 2
6.20 [0.244]	25.16 [0.991]	M4 x 7-6g	223956-1 2
12.70 [0.500]	31.25 [1.230]	8-32 UNC-2A	1-223969-0 2
3.80 ³ [0.150]	27.16 [1.069]	M4 x 7-6h	120646-1 2
2.00 ³ [0.079]	27.16 [1.069]	M3 x 0.5	223988-1 2

1 6.35 Hex Base.
2 RoHS Compliant.
3 Internal Thread.

Female Guide Module (Unkeyed)

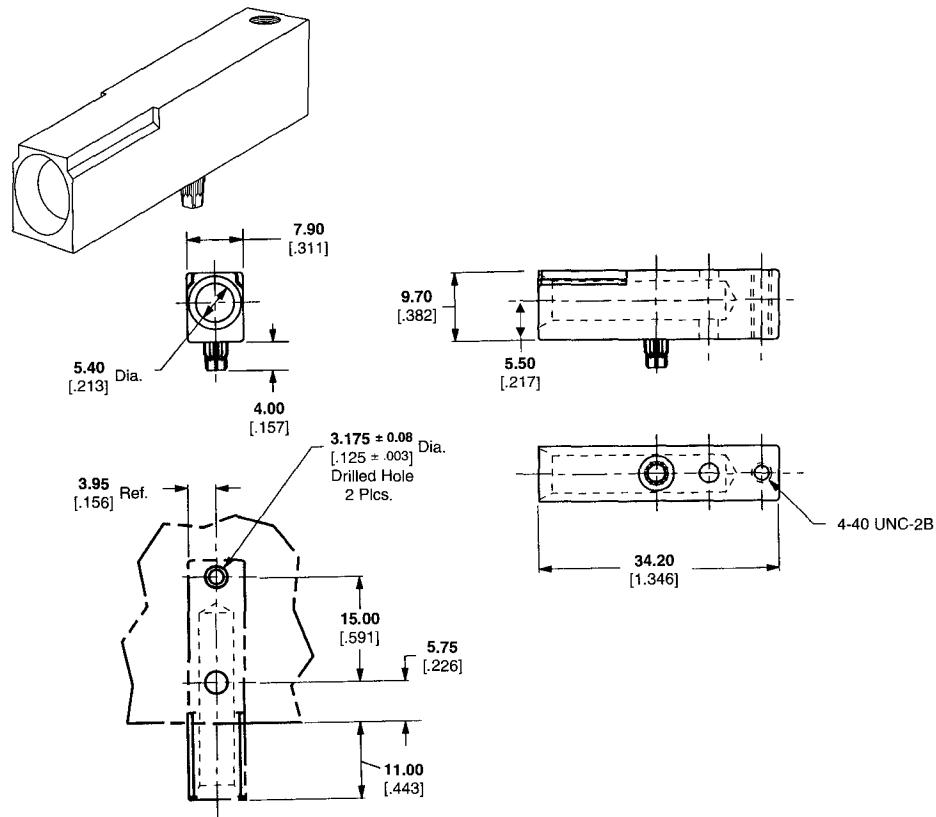
Material and Finish
Guide Module — Zinc alloy, chromate conversion coated

Related Product Data

Application Tooling —
Seating Tool, 224440-1.
Board Support Fixture, 217603-1.

Technical Documents

Product Specification
108-1651
Application Specification
114-1103
Part Number 223957-1
(as shown)
Part Number 223979-1
(dual alignment posts)



Recommended PC Board Hole Layout

Z-PACK HM-Zd Connector