



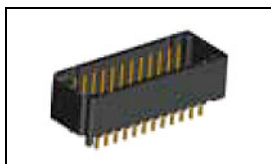
Have a Question?
 Chat with a Product
 Information Specialist

What can we help you find?

[Products](#) |
 [Industries](#) |
 [Resources](#) |
 [About TE](#) |
 [My Account](#) |
 [Innovation](#) |
 [Support Center](#)

2-292141-2 Product Details

[Share](#) |
 [Print](#) |
 [Email](#)



2-292141-2

TE Internal Number: 2-292141-2

Active

[View 3D PDF](#)

2mm AMP CT Connectors

Always EU RoHS/ELV Compliant (Statement of Compliance)

Product Highlights:

- Wire-to-Board
- Applies To Printed Circuit Board
- Connector
- Header
- Header Type = Shrouded

[View all Features](#)

Quick Links

- ▶ [Pricing & Availability](#)
- ▶ [Search for Tooling](#)
- ▶ [Product Feature Selector](#)
- ▶ [Contact Us About This Product](#)

[Add to My Part List](#) |
 [Request Sample](#) |
 [Find Similar Products](#) |
 [Buy Product](#)

Documentation & Additional Information	
<p>Product Drawings:</p> <ul style="list-style-type: none"> • POST HEADER (VERTICAL) WITH BOSS CT DOUBLE ROW CONN. (PDF, English) <p>Catalog Pages/Data Sheets:</p> <ul style="list-style-type: none"> • 2.0MM AMP CT CONNECTOR SERIES QUICK REF GUIDE (PDF, English) <p>Product Specifications:</p> <ul style="list-style-type: none"> • CT DOUBLE ROW CONNECTOR, LEAD FREE VERSION (PDF, Japanese) <p>Application Specifications:</p> <ul style="list-style-type: none"> • None Available <p>Instruction Sheets:</p> <ul style="list-style-type: none"> • None Available <p>CAD Files: (CAD Format & Compression Information)</p> <ul style="list-style-type: none"> • 2D Drawing (DXF, Version 0) • 3D Model (IGES, Version 0) • 3D Model (STEP, Version 0) 	<p>Additional Product Images:</p> <ul style="list-style-type: none"> • Typical Application <p>Related Products:</p> <ul style="list-style-type: none"> • Tooling

[List all Documents](#)

Product Features (Please use the Product Drawing for all design activity)	
<p>Product Type Features:</p> <ul style="list-style-type: none"> • Product Type = Connector • Connector Type = Header • PCB Mounting Orientation = Vertical • PCB Mount Alignment = With • PCB Mount Retention = With • PCB Mount Retention Type = Boardlock(s) • Sealed = No • CSA File Number = LR 7189 <p>Electrical Characteristics:</p> <ul style="list-style-type: none"> • Contact - Rated Current (A) = 4 • Operating Voltage Reference = AC/DC, AC, DC • Operating Voltage (VAC) = 125 • Operating Voltage (VDC) = 125 <p>Termination Features:</p> <ul style="list-style-type: none"> • Wire/Cable Size (AWG) = 22 - 28 • Termination Method to PC Board = Through Hole - Solder <p>Dimensions:</p> <ul style="list-style-type: none"> • Mating Post Length (mm [in]) = 4.70 [0.180] • PCB Thickness, Recommended (mm [in]) = 1.60 [0.063] • Tail Length (mm [in]) = 3.2 [0.126] • Length (X-Axis) (mm [in]) = 27.90 [1.0984] • Width (Z-Axis) (mm [in]) = 10.70 [0.421] • Profile Height (Y-Axis) (mm [in]) = 7.50 [0.295] 	<p>Housing Features:</p> <ul style="list-style-type: none"> • Connector Style = Plug • Centerline (mm [in]) = 2.00 [0.079] • Housing Color = Natural <p>Configuration Features:</p> <ul style="list-style-type: none"> • Number of Positions = 22 • Number of Rows = 2 • Tail Orientation = In-line • Shrouded = Yes <p>Industry Standards:</p> <ul style="list-style-type: none"> • RoHS/ELV Compliance = RoHS compliant, ELV compliant • Lead Free Solder Processes = Wave solder capable to 240°C • RoHS/ELV Compliance History = Always was RoHS compliant • UL Flammability Rating = UL 94V-0 • Agency/Standard = CSA, UL • UL File Number = E28476 <p>Environmental:</p> <ul style="list-style-type: none"> • Operating Temperature (°C [°F]) = -30 - +105 [-22 - +221] <p>Conditions for Usage:</p> <ul style="list-style-type: none"> • Applies To = Printed Circuit Board <p>Operation/Application:</p> <ul style="list-style-type: none"> • Application Use = Wire-to-Board • Contact Transmits (Typical Application) = Signal (Data)

<p>Body Features:</p> <ul style="list-style-type: none"> Header Type = Shrouded Mating Retention = Without <p>Contact Features:</p> <ul style="list-style-type: none"> Contact Type = Pin Contact Plating, Mating Area, Material = Tin Contact Plating, Mating Area, Thickness (μm [μin]) = 1 [39.37] Contact Plating, Termination Area, Material = Tin Contact Plating, Termination Area, Thickness (μm [μin]) = 1 [39.37] 	<p>• Pick and Place Cover = Without</p> <p>Packaging Features:</p> <ul style="list-style-type: none"> Packaging Method = Tray, Box <p>Other:</p> <ul style="list-style-type: none"> Brand = AMP
--	---

Corporate Information

- [About TE](#)
- [Investors](#)
- [News Room](#)
- [Supplier Portal](#)
- [Careers](#)
- [Terms & Conditions](#)
- [Privacy Policy](#)
- [AODA Accessibility Policy](#)
- [AODA Multi-Year Accessibility Plan](#)

Quick Links

- [Distributor Inventory](#)
- [Product Cross Reference](#)
- [Documents & Drawings](#)
- [Product Compliance Support Center](#)
- [Site Map](#)

Customer Support

- [Email or Chat With Us](#)
- [Find a Phone Number](#)
- [Knowledge Base](#)
- [Manage Your Account](#)

Keep Me Informed



THIS DRAWING IS UNPUBLISHED.

RELEASED FOR PUBLICATION

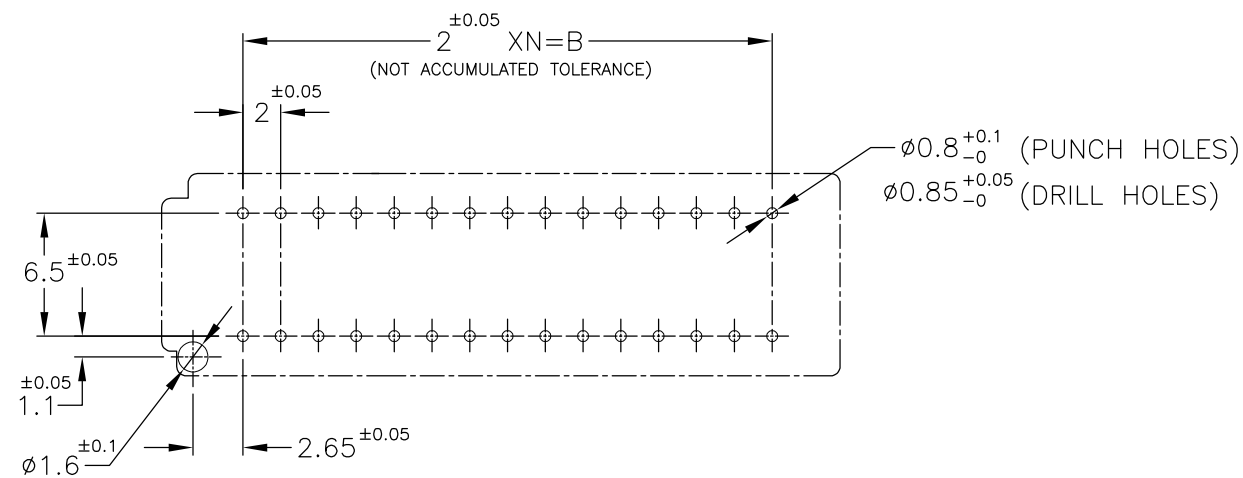
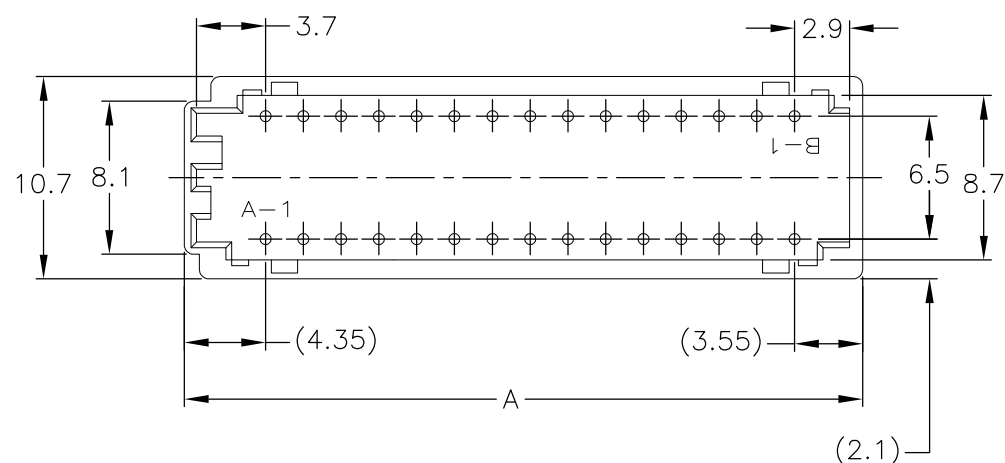
© COPYRIGHT - By -

ALL RIGHTS RESERVED.

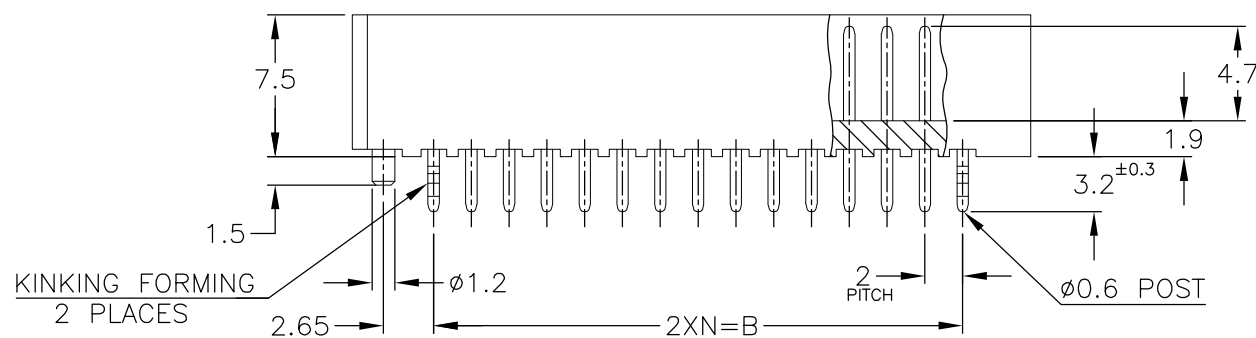
LOC FB DIST 00

REVISIONS

P	LTR	DESCRIPTION	DATE	DWN	APVD
P		REVISED PER ECO-11-005033	28MAR11	RK	HMR



P.C.B MOUNTING DIMENSIONS
(CONNECTOR MOUNT SIDE)
(P.C.B THK 1.6)



KINKING FORMING
2 PLACES

NOTE

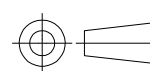
1 MATERIAL : HOUSING/66 NYLON UL94V-0 NATURAL
Ø0.6 POST/TIN BRASS 3/4H

35.9	28.0	14	30	3-292141-0
33.9	26.0	13	28	2- -8
31.9	24.0	12	26	2- -6
29.9	22.0	11	24	2- -4
27.9	20.0	10	22	2- -2
25.9	18.0	9	20	2- -0
23.9	16.0	8	18	1- -8
21.9	14.0	7	16	1-292141-6
A	B	N	POS	P/N

THIS DRAWING IS A CONTROLLED DOCUMENT.

DIMENSIONS:

mm



MATERIAL
SEE NOTE

TOLERANCES UNLESS OTHERWISE SPECIFIED:

0 PLC	± -
1 PLC	± -
2 PLC	± -
3 PLC	± -
4 PLC	± -
ANGLES	± -

FINISH
SEE NOTE

DWN S.XU 31JAN03

CHK S.YAO 31JAN03

APVD T.SASAKI 31JAN03

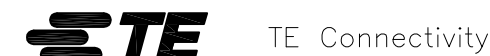
PRODUCT SPEC

108-60020

APPLICATION SPEC

WEIGHT -

CUSTOMER DRAWING



POST HEADER (VERTICAL) WITH BOSS
CT DOUBLE ROW CONN.

SIZE	CAGE CODE	DRAWING NO	RESTRICTED TO
A3	00779	C-292141	-

TOLERANCES UNLESS OTHERWISE SPECIFIED:

10 ≥ *	: ±0.2
30 ≥ * > 10	: ±0.25
100 ≥ * > 30	: ±0.3
ANGEL	: ±3°