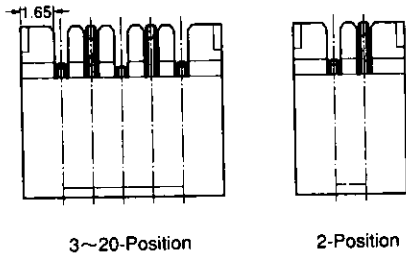


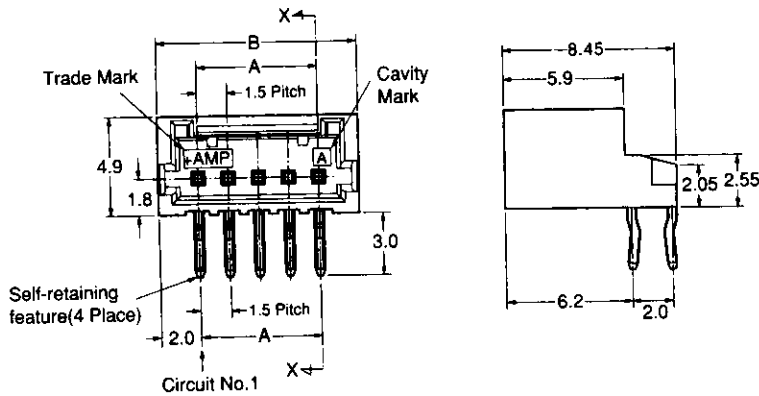
Wire to Board Connectors Mini CT (Common Termination) Connector System Post Header Assemblies (Board-mount)

One-Row DIP Type / Horizontal-mount Type

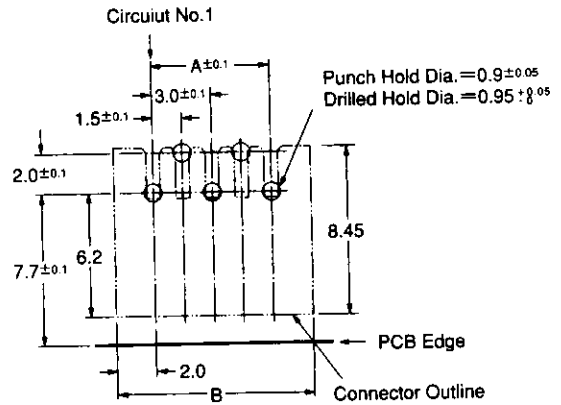


3~20-Position

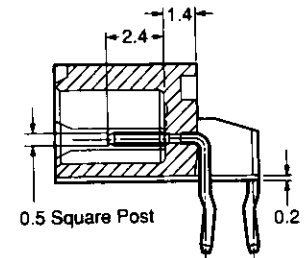
2-Position



Circuit No.1



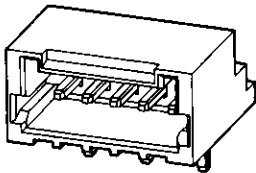
PC Board Layout (Component Side)
(Applicable board thickness=1.6mm)



Section X-X

Material and Finish :

Housing — UL94V-0 rated,
glassfiber reinforced Nylon,
grey and blue
Post — 0.5mm square, pre-
tinned, brass wire



No. of Pos.	Dimensions		Part No. of Post Header Assemblies	
	A	B	Grey	Blue
2	1.5	5.5	292206-2	5-292206-2
3	3.0	7.0	292206-3	5-292206-3
4	4.5	8.5	292206-4	5-292206-4
5	6.0	10.0	292206-5	5-292206-5
6	7.5	11.5	292206-6	5-292206-6
7	9.0	13.0	292206-7	5-292206-7
8	10.5	14.5	292206-8	5-292206-8
9	12.0	16.0	292206-9	5-292206-9
10	13.5	17.5	1-292206-0	6-292206-0
11	15.0	19.0	1-292206-1	6-292206-1
12	16.5	20.5	1-292206-2	6-292206-2
13	18.0	22.0	1-292206-3	6-292206-3
14	19.5	23.5	1-292206-4	6-292206-4
15	21.0	25.0	1-292206-5	6-292206-5
16	22.5	26.5	1-292206-6	6-292206-6
17	24.0	28.0	1-292206-7	6-292206-7
18	25.5	29.5	1-292206-8	6-292206-8
19	27.0	31.0	1-292206-9	6-292206-9
20	28.5	32.5	2-292206-0	7-292206-0