

Distributed by:

JAMECO[®]
ELECTRONICS

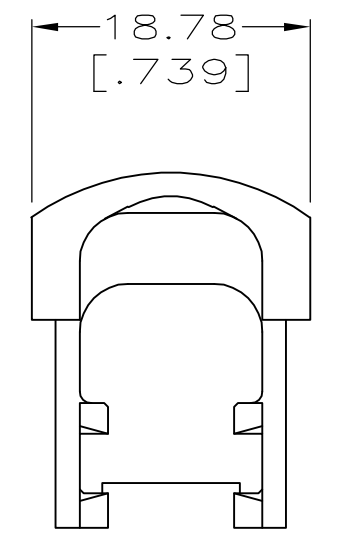
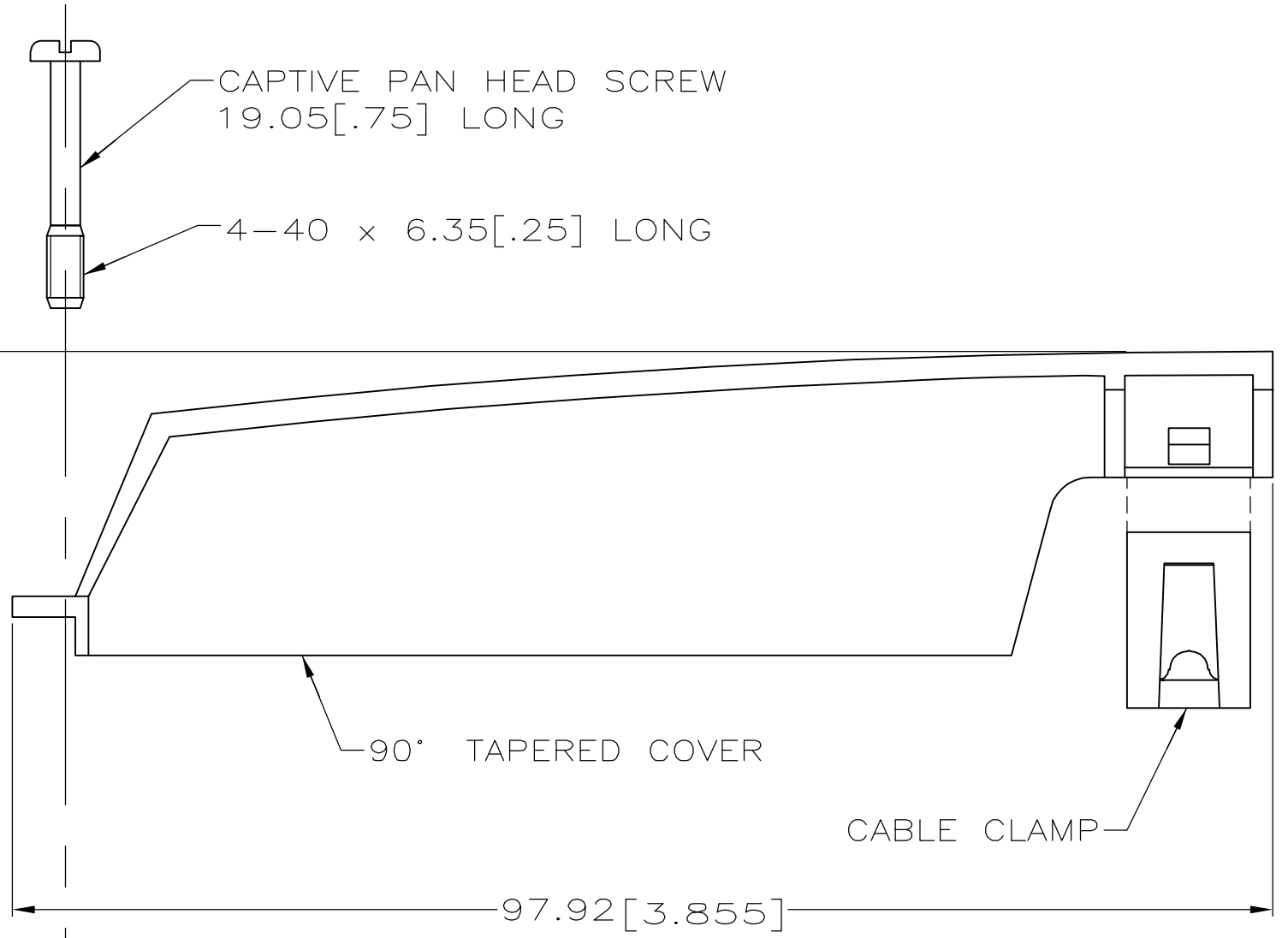
www.Jameco.com ♦ 1-800-831-4242

The content and copyrights of the attached
material are the property of its owner.

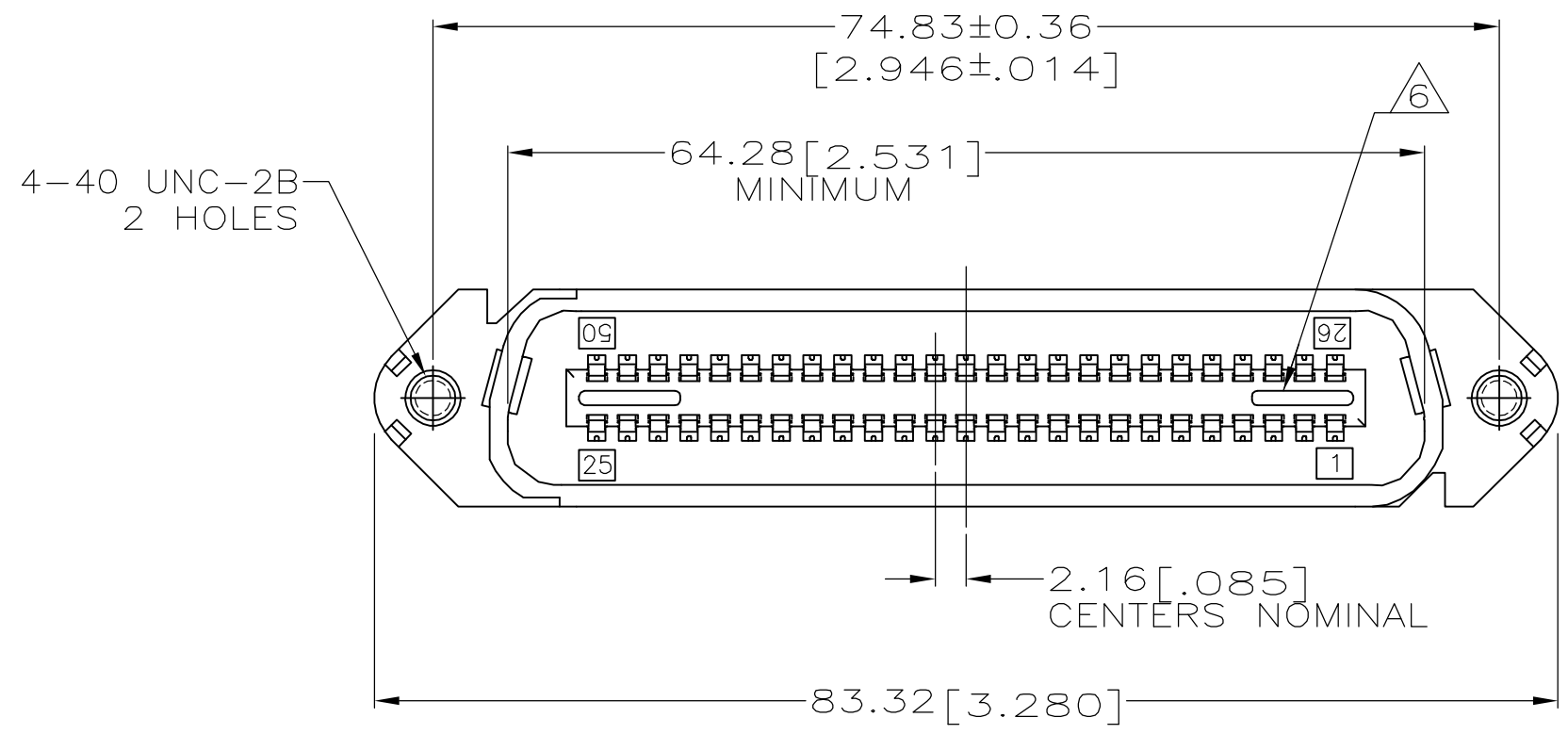
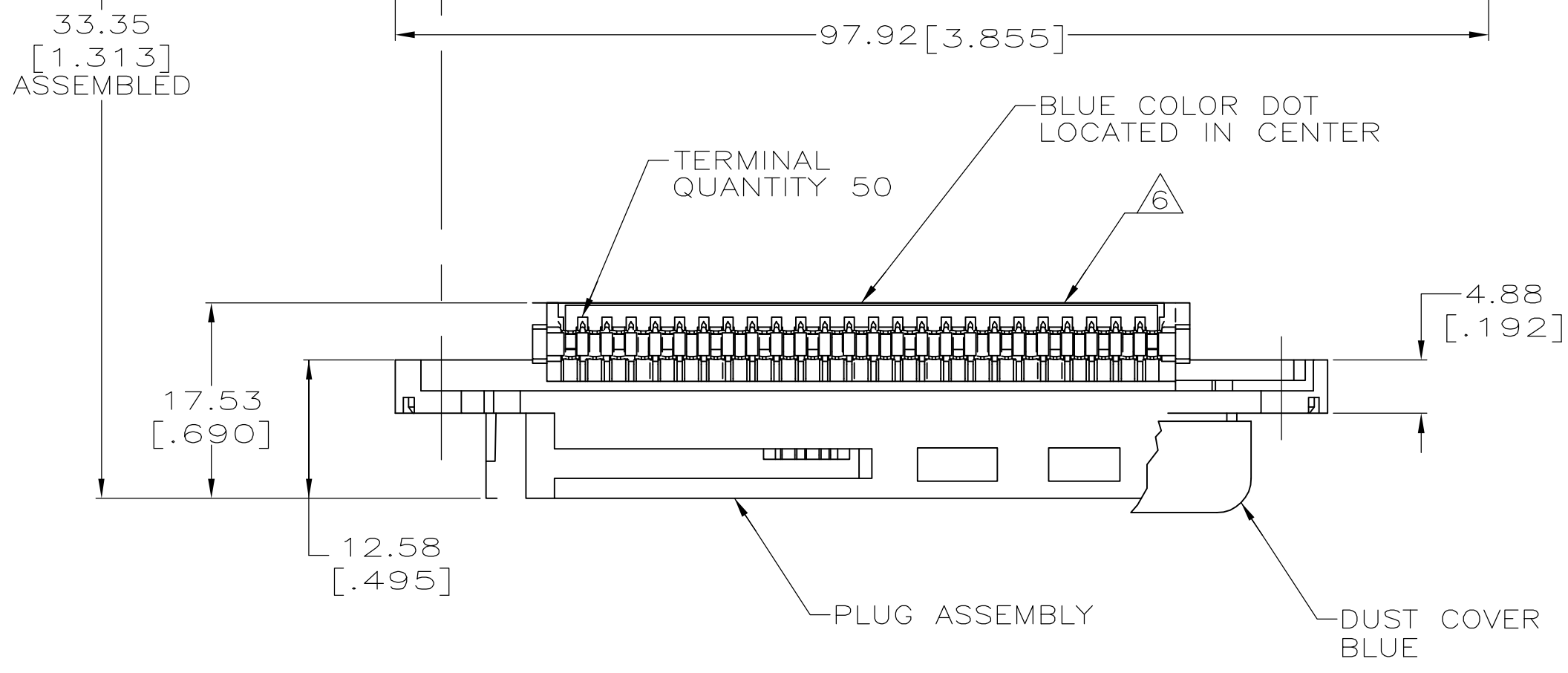
Jameco Part Number 921395

THIS DRAWING IS UNPUBLISHED. RELEASED FOR PUBLICATION
 © COPYRIGHT BY TYCO ELECTRONICS CORPORATION. ALL RIGHTS RESERVED.

LOC	DIST	REVISIONS					
		P	LTR	DESCRIPTION	DATE	DWN	APVD
GP	00		AJ	REVISED PER ECO-06-026525	10/NOV/06	ZR	WLM



1. THE CONTACT SURFACES OF THE TERMINALS ARE COATED WITH LUBRICANT.
 2. DIMENSIONS ARE MAXIMUM UNLESS OTHERWISE SPECIFIED.
 3. MATERIAL: HOUSING AND COVER - POLYPHENYLENE OXIDE.
CABLE CLAMP - POLYESTER MOLDING COMPOUND.
TERMINAL - HIGH STRENGTH COPPER ALLOY PLATED WITH 0.76μm [30μ] MIN GOLD OR GOLD FLASH OVER 0.76μm [30μ] MIN PALLADIUM NICKEL ON CONTACT MATING SURFACE, OVER 1.27μm [50μ] MIN NICKEL PLATING.
HARDWARE - ZINC PLATED STEEL.
DUST COVER - POLYETHYLENE MOLDING COMPOUND.
 4. THIS KIT SHIPPED NOT ASSEMBLED.
 5. WIRE SIZE: 24 & 26 AWG SOLID & 24/7 STRAND COPPER CONDUCTORS. MAXIMUM INSULATION DIAMETER OF 1.14 [.045] IS ACCEPTABLE FOR MOST APPLICATIONS.
6. CORING MAY OR MAY NOT APPEAR AND IS AT THE DISCRETION OF AMP INCORPORATED.
7. OBSOLETE



PACKAGING	CABLE RANGE	DUST COVER	COLOR	PART NUMBER
BULK PACKED	φ7.62-8.26 [φ.300-.325]	YES	BLACK	6-229912-7
	φ8.89-10.80 [φ.350-.425]	YES	GRAY	6-229912-4
		NO	BLACK	6-229912-3
POLY BAGGED	φ10.80-12.70 [φ.425-.500]	YES	BLACK	3-229912-1
		NO	BLACK	2-229912-1
	φ8.89-10.80 [φ.350-.425]	YES	GRAY	1-229912-4
		YES	BLACK	1-229912-1
		NO	GRAY	229912-4
NO	BLACK	229912-1		

THIS DRAWING IS A CONTROLLED DOCUMENT.

DIMENSIONS: mm [INCHES]	TOLERANCES UNLESS OTHERWISE SPECIFIED:	DWN K. SHELTON 11 AUG 86	Tyco Electronics Corporation Harrisburg, PA 17105-3608
0 PLC ± -	1 PLC ± -	CHK B. FOX 19 AUG 86	
2 PLC ± -	3 PLC ± -	APVD J. TRAMMEL 21 AUG 86	NAME
4 PLC ± -	ANGLES ± -	PRODUCT SPEC	PLUG KIT, 50 POSITION, B-SLOT, SCREW LOCK WITH TAPERED COVER, CHAMP-LOK
MATERIAL	FINISH	APPLICATION SPEC	SIZE CAGE CODE DRAWING NO RESTRICTED TO
		WEIGHT	A2 00779 C=229912
		CUSTOMER DRAWING	SCALE 2:1 SHEET 1 OF 1 REV AJ