

Distributed by:

JAMECO[®]
ELECTRONICS

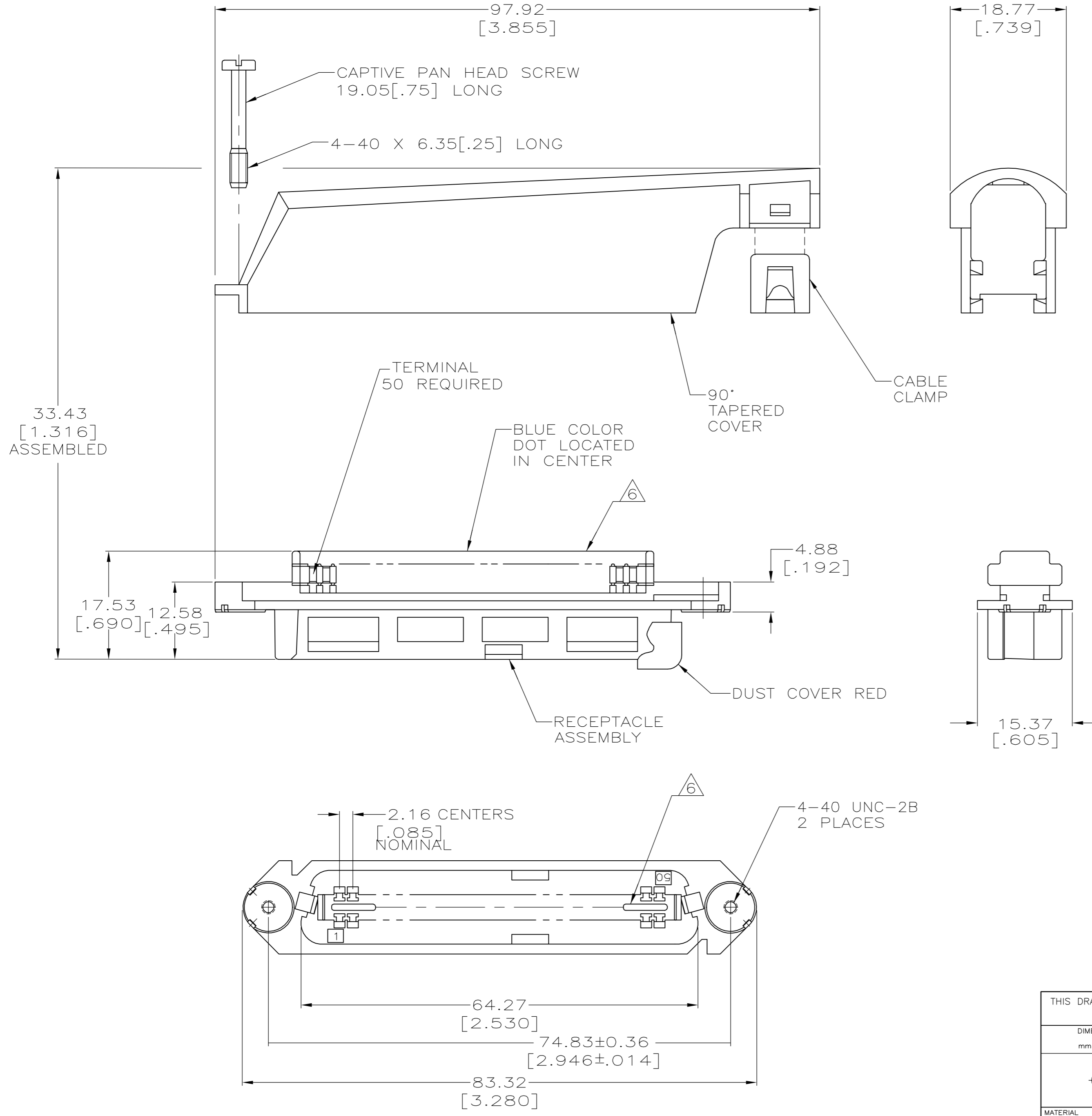
www.Jameco.com ♦ 1-800-831-4242

The content and copyrights of the attached
material are the property of its owner.

Jameco Part Number 921424

THIS DRAWING IS UNPUBLISHED. RELEASED FOR PUBLICATION
 © COPYRIGHT BY TYCO ELECTRONICS CORPORATION. ALL RIGHTS RESERVED.

| Loc | | DIST | | REVISIONS | | | |
|-----|-----|-------------|--------------------------|-----------|------|-----|--|
| P | LTR | DESCRIPTION | DATE | DWN | APVD | | |
| GP | 00 | AH | REVISED PER ECO-06-26525 | 10/NOV/06 | ZMR | WLM | |



- THE CONTACT SURFACES OF THE TERMINALS ARE COATED WITH LUBRICANT.
- DIMENSIONS ARE MAXIMUM UNLESS OTHERWISE SPECIFIED.
- MATERIAL: HOUSING AND COVER - POLYPHENYLENE OXIDE.
 CABLE CLAMP - POLYESTER MOLDING COMPOUND.
 TERMINAL - HIGH STRENGTH COPPER ALLOY PLATED WITH 0.76µm [30µ] MIN GOLD OR GOLD FLASH OVER 0.76µm [30µ] MIN PALLADIUM NICKEL ON CONTACT MATING SURFACE, OVER 1.27µm [50µ] MIN NICKEL PLATING.
 HARDWARE - ZINC PLATED STEEL.
 DUST COVER - POLYETHYLENE MOLDING COMPOUND.
- THIS KIT SHIPPED NOT ASSEMBLED.
- WIRE SIZE: 24 & 26 AWG SOLID & 24 AWG STRAND COPPER CONDUCTORS. MAXIMUM INSULATION DIAMETER OF 1.15 [.045] IS ACCEPTABLE FOR MOST APPLICATIONS.
- CORING MAY OR MAY NOT APPEAR AND IS AT THE DISCRETION OF AMP INCORPORATED.
- OBSOLETE

| PACKAGING | CABLE RANGE | DUST COVER | COLOR | PART NUMBER |
|-------------|---------------------------|------------|-------|--------------|
| BULK PACKED | φ7.62-8.26 [φ.300-.325] | YES | BLACK | 6-229913-7 |
| | φ8.89-10.80 [φ.350-.425] | YES | GRAY | △ 6-229913-4 |
| | | YES | BLACK | 6-229913-3 |
| POLY BAGGED | φ10.80-12.70 [φ.425-.500] | NO | BLACK | 6-229913-1 |
| | | YES | BLACK | 3-229913-1 |
| | φ8.89-10.80 [φ.350-.425] | NO | BLACK | 2-229913-1 |
| | | YES | GRAY | △ 1-229913-4 |
| | | YES | BLACK | 1-229913-1 |
| | | NO | GRAY | 229913-4 |
| NO | BLACK | 229913-1 | | |

THIS DRAWING IS A CONTROLLED DOCUMENT.

DWN L. McEACHIN/UTA 30 AUG 93
 CHK C. WHITT 09 NOV 93
 APVD J. TRAMMEL 15 NOV 93

NAME Tyco Electronics Corporation Harrisburg, PA 17105-3608

RECEPTACLE KIT, 50 POSITION, B-SLOT, SCREW LOCK, TAPERED COVER, CHAMP-LOK®

SIZE A2 CAGE CODE 00779 DRAWING NO C=229913 RESTRICTED TO -

MATERIAL FINISH WEIGHT CUSTOMER DRAWING SCALE 2:1 SHEET 1 of 1 REV AH