

Distributed by:

JAMECO[®]
ELECTRONICS

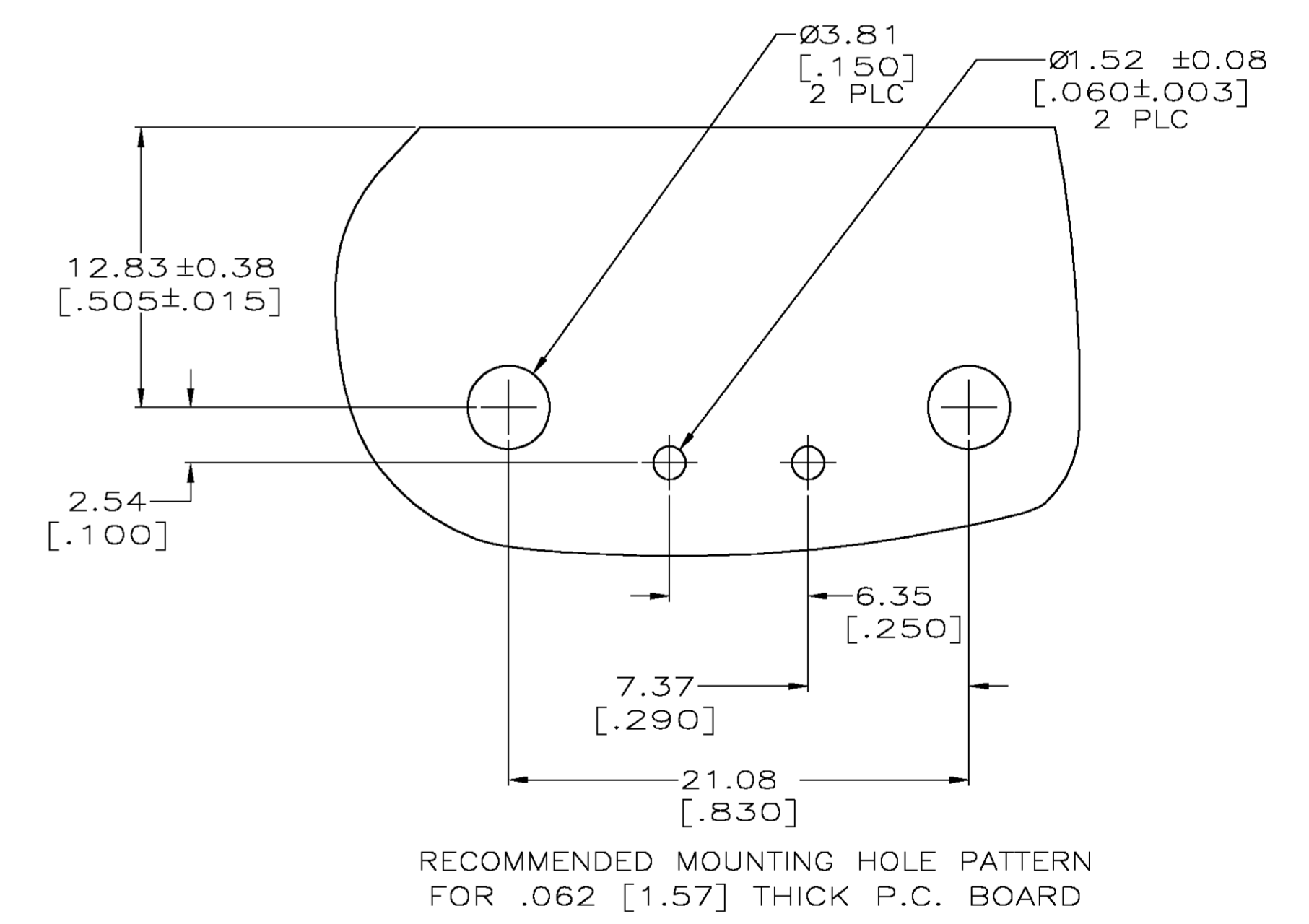
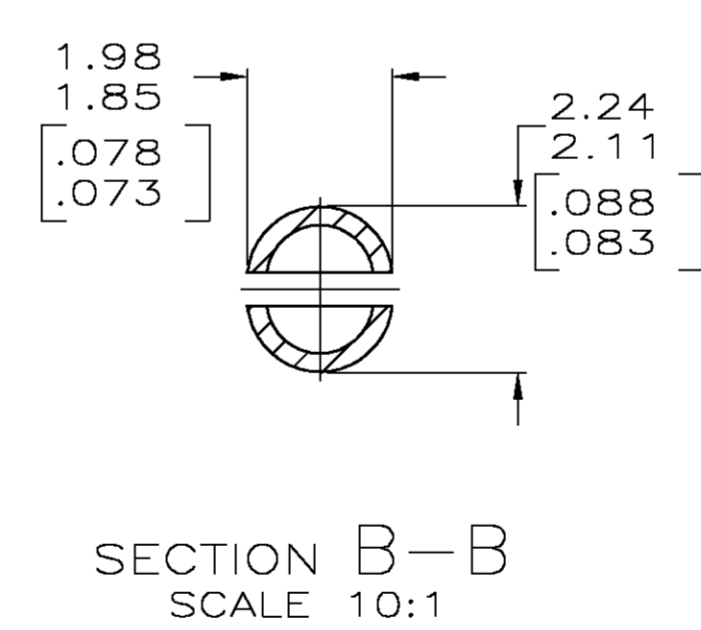
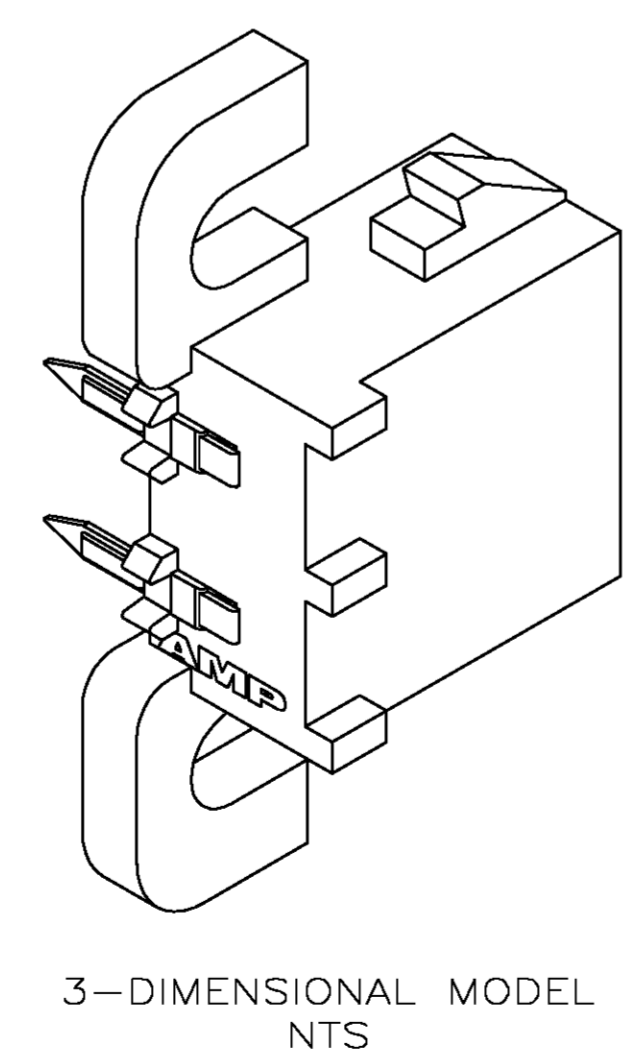
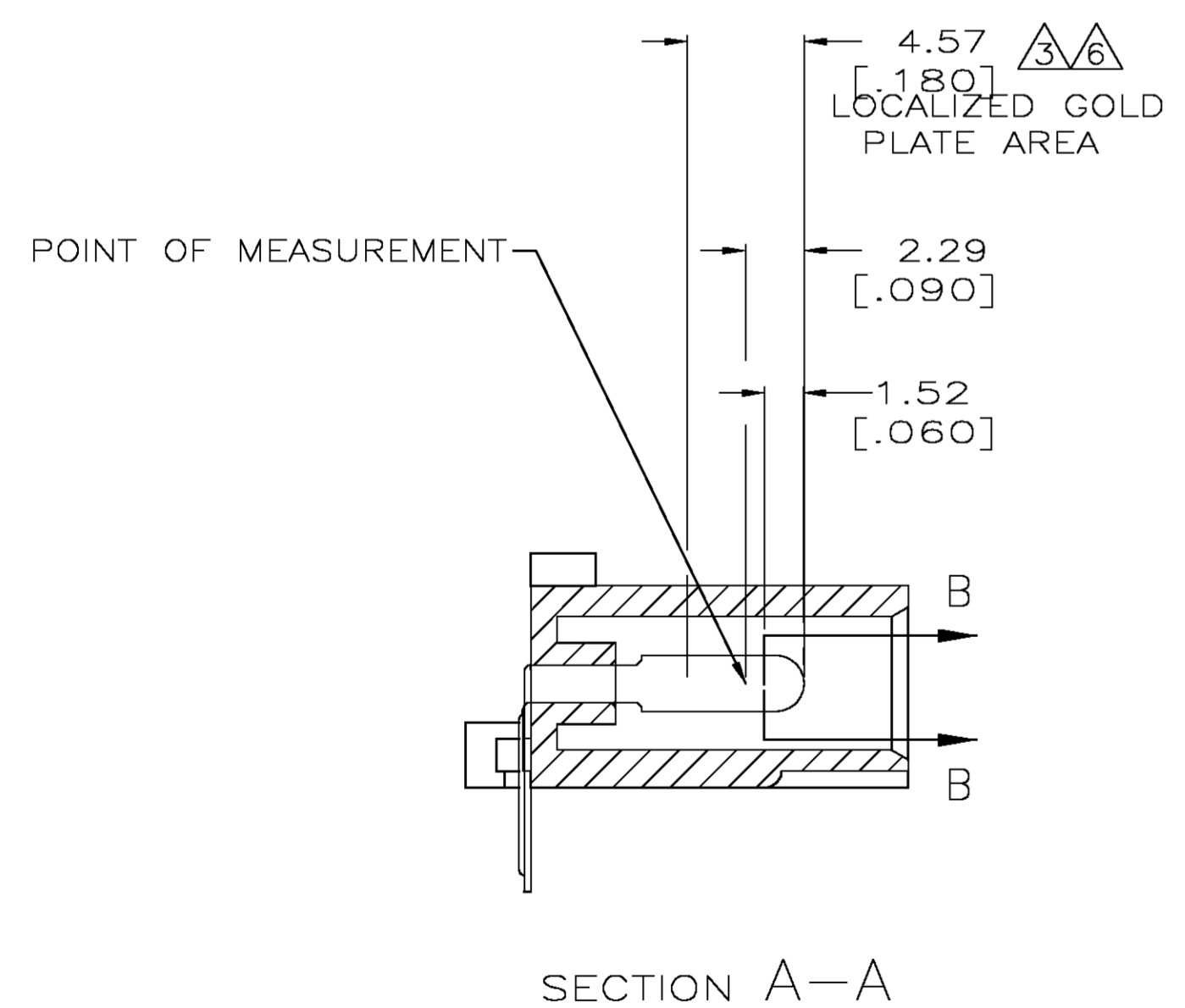
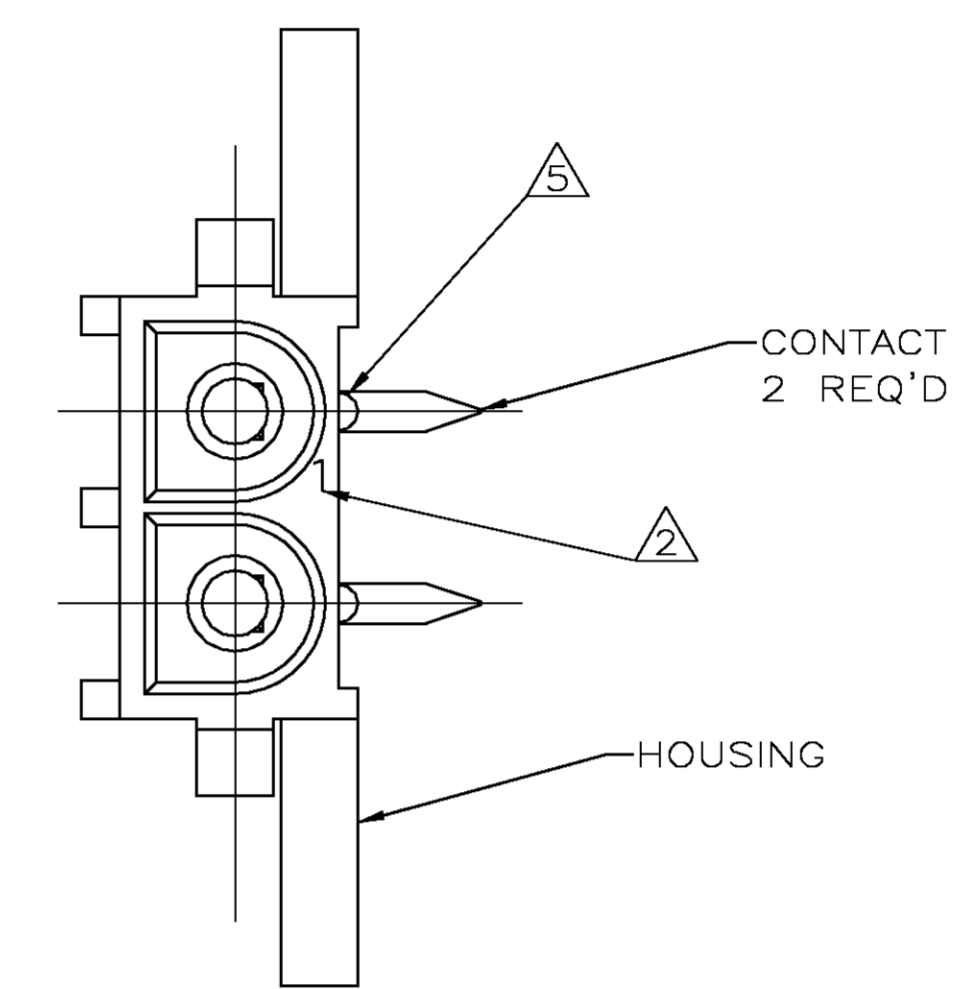
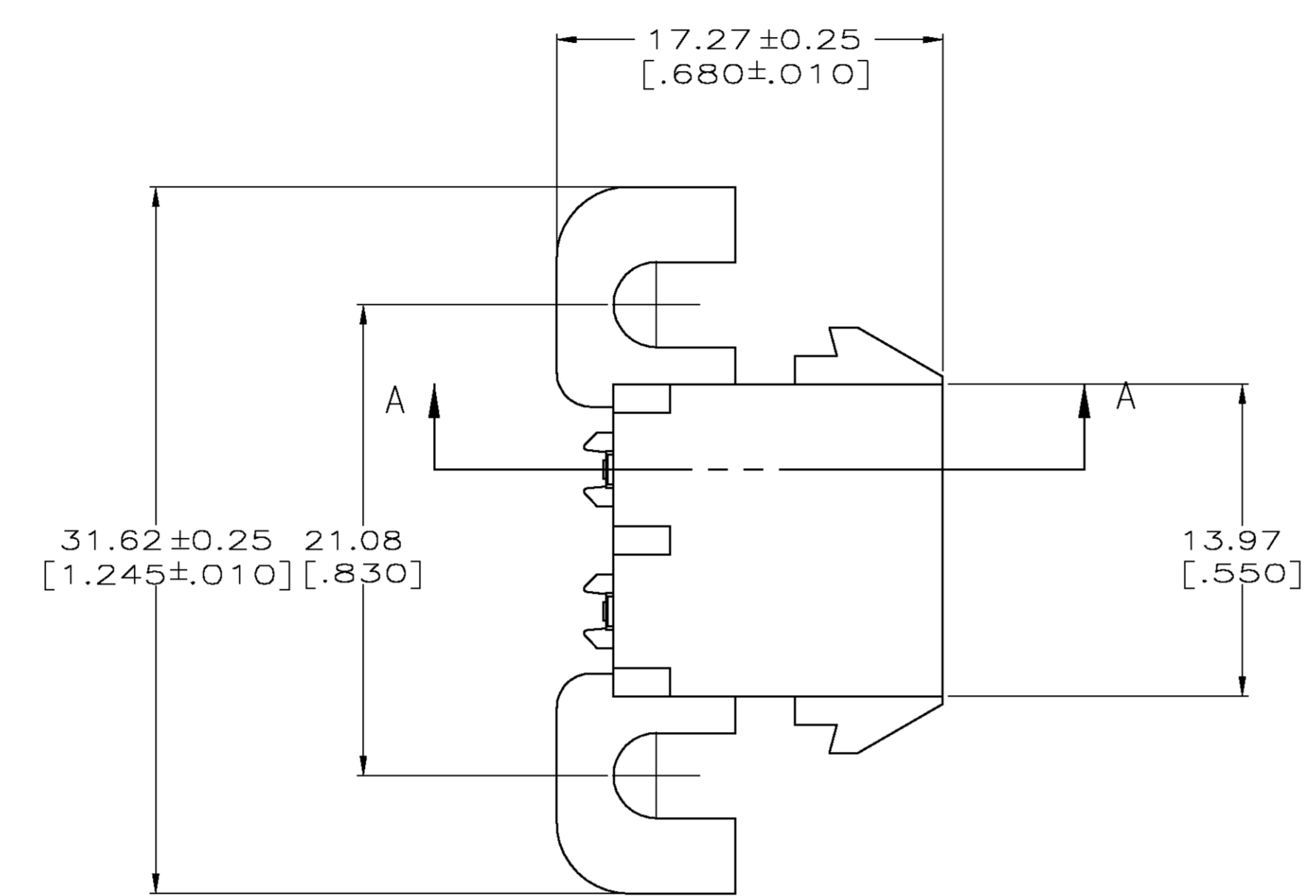
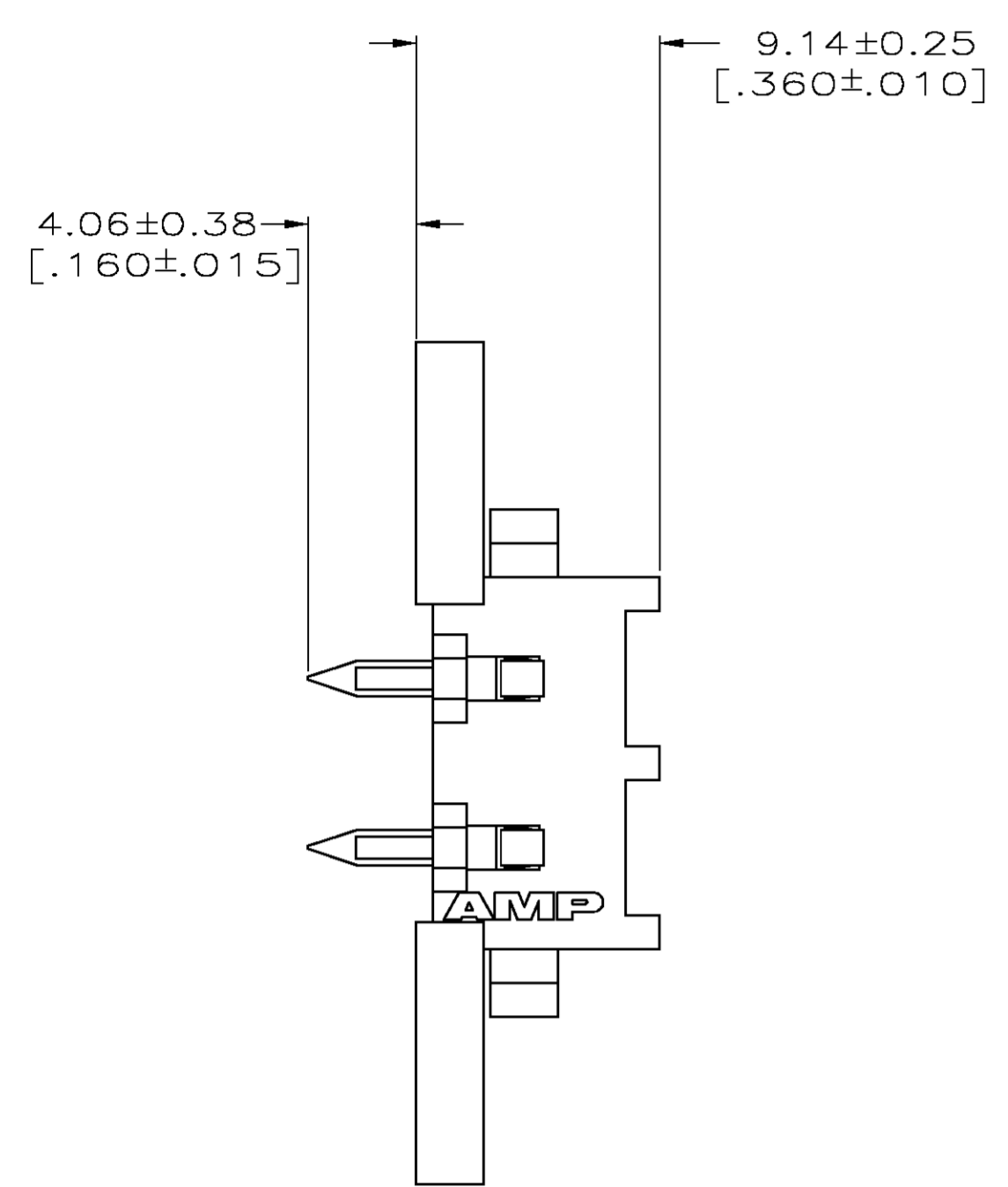
www.Jameco.com ♦ 1-800-831-4242

The content and copyrights of the attached
material are the property of its owner.

Jameco Part Number 836596

LOC		DIST		REVISIONS			
P	LTR	DESCRIPTION	DATE	DNW	APVD		
L		REVISED PER EC 063B-1094-05	22FEB05	KW	SR		

- PARTS COMPLY WITH AMP SOLDERABILITY SPECIFICATION 109-11-5.
- CIRCUIT IDENTIFICATION CHARACTERS ARE ADJACENT TO THE INDICATED CAVITIES, BUT LOCATION AND ORIENTATION MAY DIFFER FROM PRINT.
- CONTACT IS PLATED OVERALL WITH 0.00127 [.000050] MIN NICKEL, THEN 0.00076 [.000030] GOLD OVER CONTACT LENGTH INDICATED AND MATTE TIN LEAD FINISH ON SOLDER TAIL END.
- DIMENSIONS IN BRACKETS ARE IN INCHES.
- OPTIONAL CONSTRUCTION MAY DELETE THIS RIB.
- CONTACT IS PLATED OVERALL WITH 0.00127 [.000050] MIN NICKEL, THEN 0.00076 [.000030] GOLD OVER CONTACT LENGTH INDICATED AND MATTE TIN FINISH ON SOLDER TAIL END.



PH BRZ GOLD $\Delta 6$	NYLON UL 94V-0	3-350942-0
PH BRZ GOLD $\Delta 3$	NYLON UL 94V-0	2-350942-0
PH BRZ TIN	NYLON UL 94V-0	1-350942-0
CONTACT	HOUSING	PART NO

THIS DRAWING IS A CONTROLLED DOCUMENT.		DNW K. WHITAKER 22FEB2005	Tyco Electronics Corporation Harrisburg, Pa 17105-3608	
DIMENSIONS: mm [INCHES]	TOLERANCES UNLESS OTHERWISE SPECIFIED:	CHK S. RIDGILL 22FEB2005	NAME S. RIDGILL	
0 PLC ± -	1 PLC ± -	PRODUCT SPEC		
2 PLC ± -	3 PLC ± 0.13 [0.005]	APPLICATION SPEC		
4 PLC ± -	ANGLES ± -	SIZE DATE CODE DRAWING NO		
MATERIAL SEE TABLE	FINISH SEE TABLE	RESTRICTED TO		
CUSTOMER DRAWING		WEIGHT -	A1 00779 C=350942	SCALE 4:1 SHEET 1 of 1 REV L

METRIC