

Distributed by:

**JAMECO**<sup>®</sup>  
ELECTRONICS

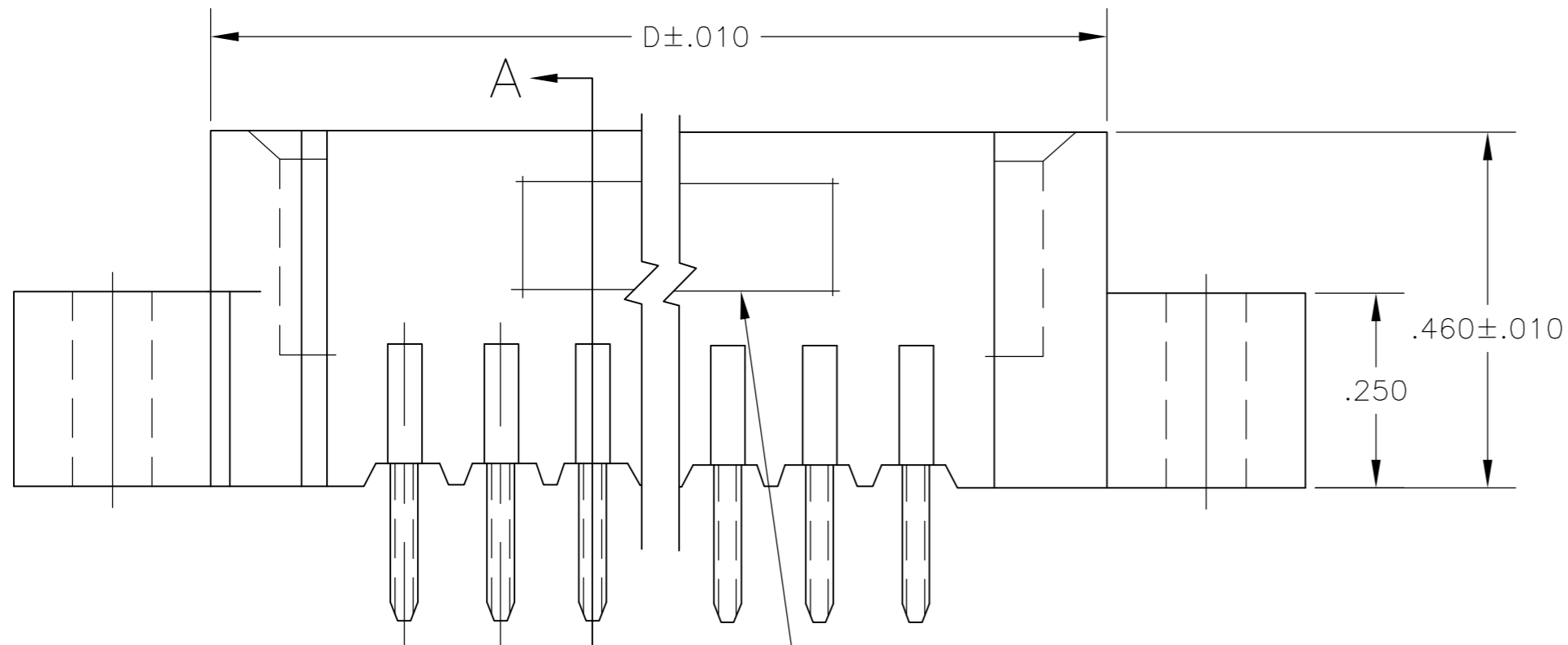
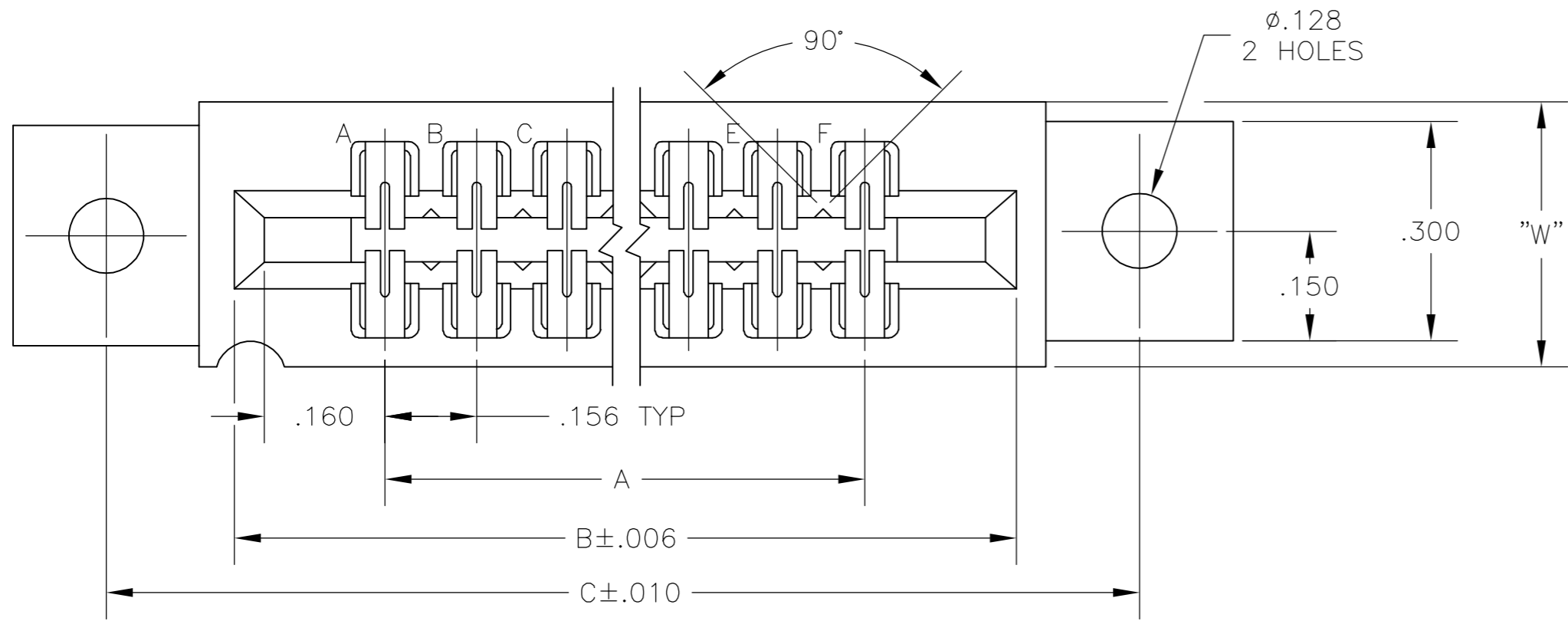
**www.Jameco.com ♦ 1-800-831-4242**

The content and copyrights of the attached  
material are the property of its owner.

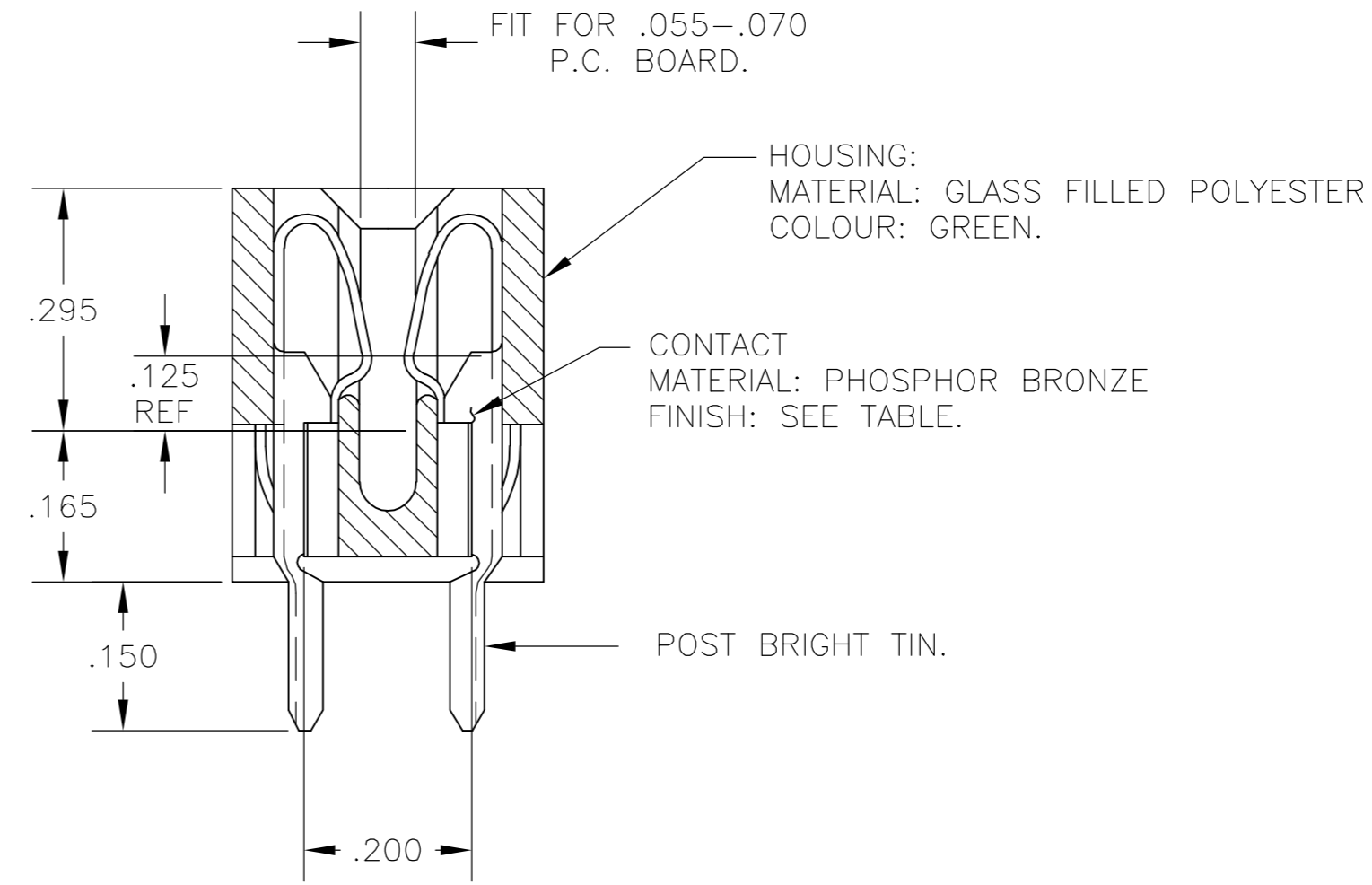
Jameco Part Number 1404461

THIS DRAWING IS UNPUBLISHED. RELEASED FOR PUBLICATION  
 © COPYRIGHT BY TYCO ELECTRONICS CORPORATION. ALL RIGHTS RESERVED.

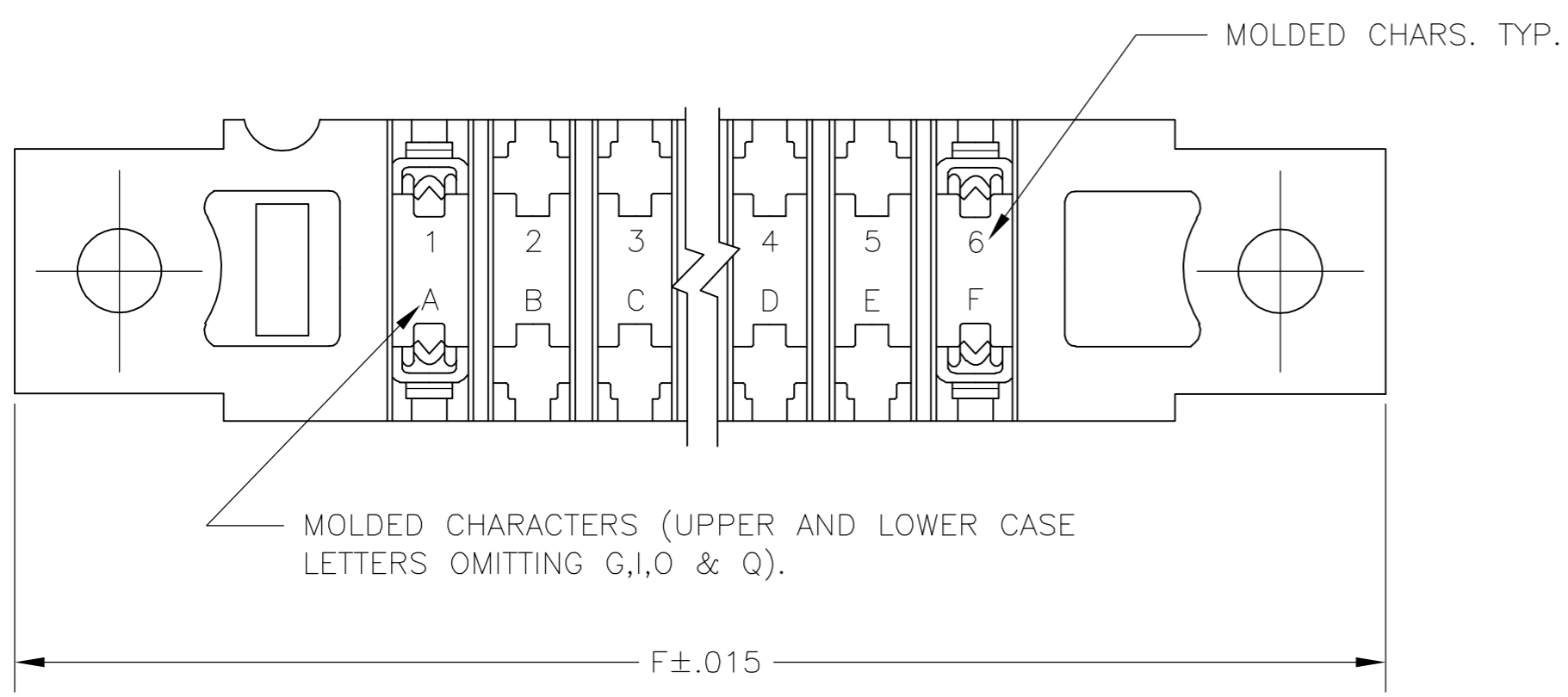
LOC		DIST		REVISIONS			
P	LTR	DESCRIPTION	DATE	DWN	APVD		
AD	00	L	ECO-05-006325	28JUL06	BSV	MK	



"AMP" PART NO & DATE CODE  
 INK STAMPED WHITE OR  
 HOT STAMP (NO WHITE TAPE)  
 IN THIS AREA (SIDE OPTIONAL)



SECTION A-A



MOLDED CHARACTERS (UPPER AND LOWER CASE  
 LETTERS OMITTING G,I,O & Q).

THIS DRAWING IS A CONTROLLED DOCUMENT.		DWN	19MAR75	 Tyco Electronics Corporation Harrisburg, Pa 17105-3608
DIMENSIONS: INCHES		CHK	20MAR75	
TOLERANCES UNLESS OTHERWISE SPECIFIED:		APVD	20MAR75	
0 PLC ± - 1 PLC ± - 2 PLC ± - 3 PLC ± .005 4 PLC ± - ANGLES ± - FINISH SEE CALL-OUT		PRODUCT SPEC - APPLICATION SPEC - WEIGHT -		NAME HOUSING ASSY, LOW PROFILE, EDGE CONNECTOR, FLOW SOLDER, FOR .052 DIA. HOLE, .156X.200 CENTERS.
MATERIAL SEE CALL-OUT		SIZE A2 CAGE CODE 00779 DRAWING NO C=530655		RESTRICTED TO -
CUSTOMER DRAWING		SCALE	4:1	SHEET 1 OF 2

530655

THIS DRAWING IS UNPUBLISHED. RELEASED FOR PUBLICATION  
 © COPYRIGHT BY TYCO ELECTRONICS CORPORATION. ALL RIGHTS RESERVED.

LOC	DIST	REVISIONS					
AD	00	P	LTR	DESCRIPTION	DATE	DWN	APVD
		-		SEE SHEET 1	-	-	-

- 1 .000015 MIN GOLD OVER .000050 MIN. NICKEL IN CONTACT AREA.
- 2 .000030 MIN GOLD OVER .00005 MIN. NICKEL IN CONTACT AREA.
- 3 SELECTIVELY LOADED, OMIT CONTACTS IN CIRCUIT CAVITIES 14,16,18,S AND U
- 4 ALL PARTS ASSEMBLED IN MEXICO MUST BE STAMPED "ASSY IN MEXICO" THE WORD "MEXICO" CAN BE SUBSTITUTED ONLY WHERE PART SIZE PROHIBTS STAMPING "ASSY IN MEXICO", INK STAMP COLOUR WHITE OR HOT STAMP (NO WHITE TAPE) 115-9009, APPROX. WHERE SHOWN, SIDE OPTIONAL.
- 5 MATTE TIN PLATED CONTACT TAILS.

5	-	43	6.552	6.872	7.307	7.012	.437	7.557	8-530655-3
5	-	28	4.212	4.532	4.967	4.672	.370	5.217	8-530655-2
5	-	36	5.460	5.780	6.215	5.920	.437	6.465	8-530655-0
5	-	30	4.524	4.844	5.279	4.984	.437	5.529	7-530655-9
5	-	22	3.276	3.596	4.031	3.736	.370	4.281	7-530655-6
5	-	18	2.652	2.972	3.407	3.112	.370	3.657	7-530655-5
5	-	15	2.184	2.504	2.939	2.644	.370	3.189	7-530655-4
5	-	12	1.716	2.036	2.471	2.176	.370	2.721	7-530655-3
5	-	10	1.404	1.724	2.159	1.864	.370	2.409	7-530655-2
5	-	6	.780	1.100	1.535	1.240	.370	1.785	7-530655-1
		18	2.652	2.972	3.407	3.112	.370	3.657	3-530655-4
	1-530655-3	43	6.552	6.872	7.307	7.012	.437	7.557	3-530655-3
	1-530655-2	28	4.212	4.532	4.967	4.672	.370	5.217	3-530655-2
	1-530655-1	44	6.708	7.028	7.463	7.168	.437	7.713	3-530655-1
	1-530655-0	36	5.460	5.780	6.215	5.920	.437	6.465	3-530655-0
	530655-9	30	4.524	4.844	5.279	4.984	.437	5.529	2-530655-9
	530655-8	25	3.744	4.064	4.499	4.204	.370	4.749	2-530655-8
	530655-7	24	3.588	3.908	4.343	4.048		4.593	2-530655-7
	530655-6	22	3.276	3.596	4.031	3.736		4.281	2-530655-6
	530655-5	18	2.652	2.972	3.407	3.112		3.657	2-530655-5
	530655-4	15	2.184	2.504	2.939	2.644		3.189	2-530655-4
	530655-3	12	1.716	2.036	2.471	2.176		2.721	2-530655-3
	530655-2	10	1.404	1.724	2.159	1.864		2.409	2-530655-2
	530655-1	6	.780	1.100	1.535	1.240		1.785	2-530655-1
1	PART NO	NO.OF. POSITION	A	B	C	D	W	F	2 PART NO

OBSOLETE

THIS DRAWING IS A CONTROLLED DOCUMENT.

DWN	19MAR75	Tyco Electronics Corporation Harrisburg, Pa 17105-3608
CHK	20MAR75	
APVD	20MAR75	
DIMENSIONS: INCHES 		PRODUCT SPEC APPLICATION SPEC
TOLERANCES UNLESS OTHERWISE SPECIFIED: 0 PLC ± - 1 PLC ± - 2 PLC ± - 3 PLC ± - 4 PLC ± - ANGLES ± -		
MATERIAL SEE CALL-OUT		FINISH SEE CALL-OUT
WEIGHT -		SCALE 1:1 SHEET 2 OF 2 REV L
CUSTOMER DRAWING		RESTRICTED TO

HOUSING ASSY, LOW PROFILE, EDGE CONNECTOR, FLOW SOLDER, FOR .052 DIA. HOLE .156X.200 CTRS.

SIZE A2 CAGE CODE 00779 DRAWING NO C=530655