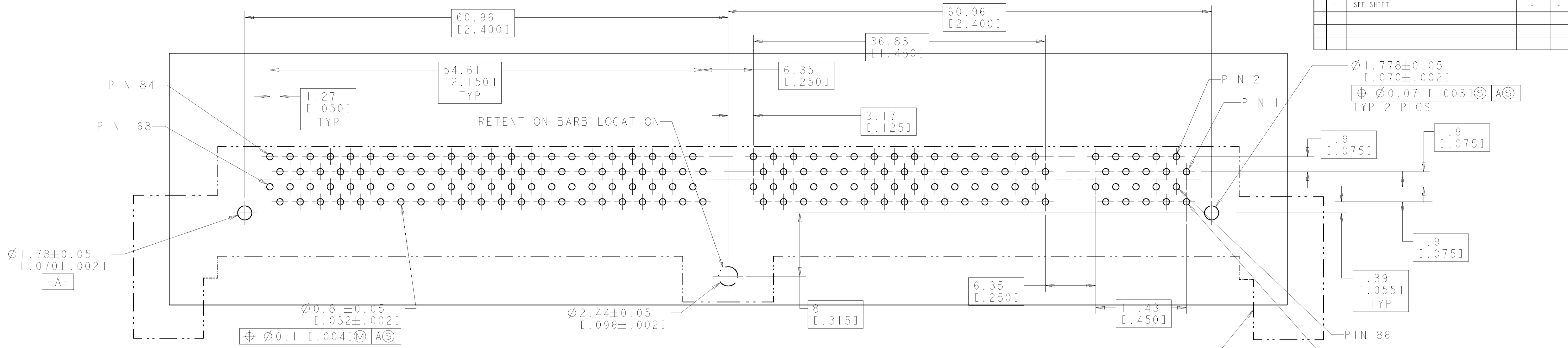
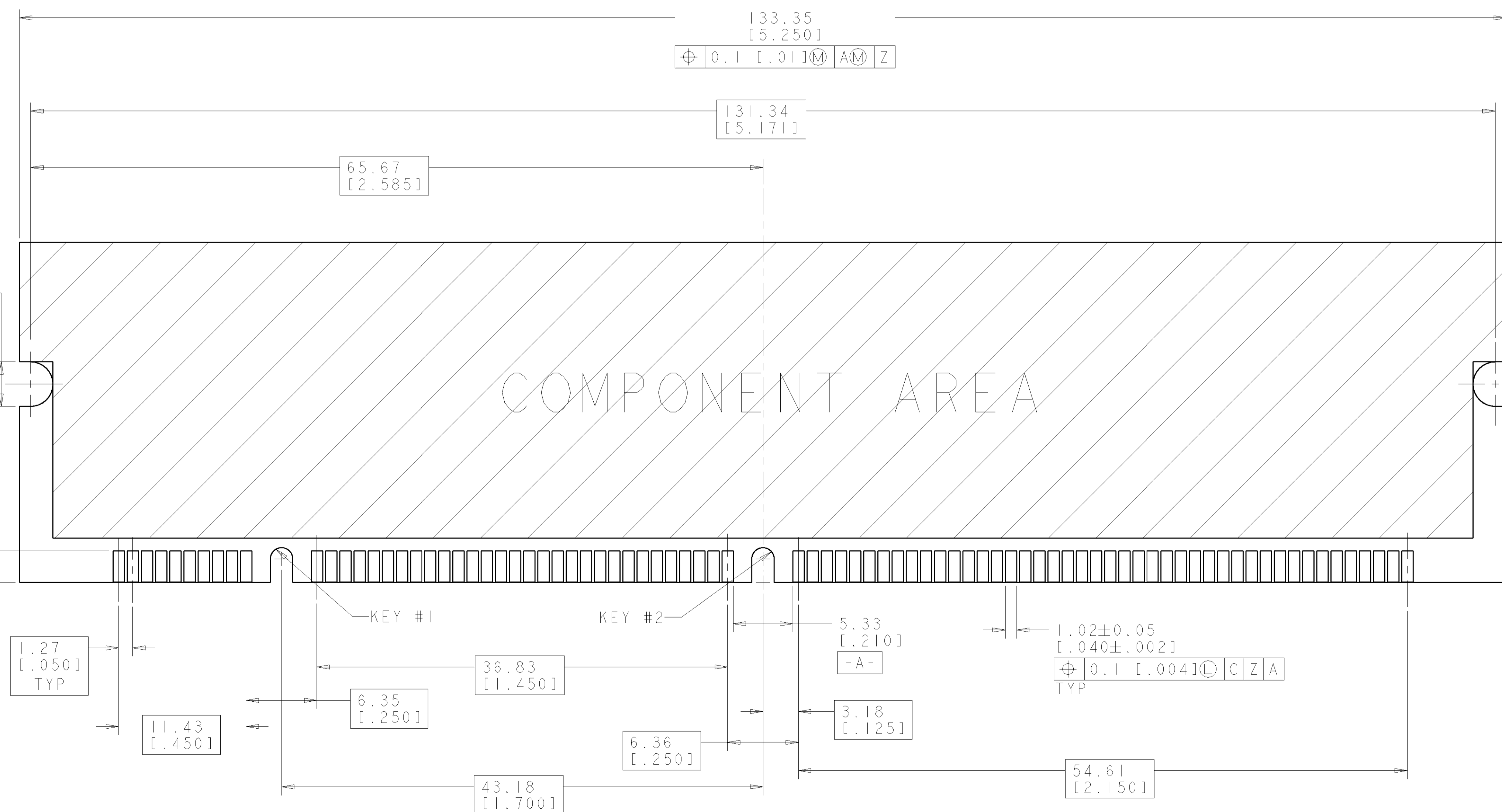


LOC	DIST	REV	DATE	BY	APPD
GP	0				

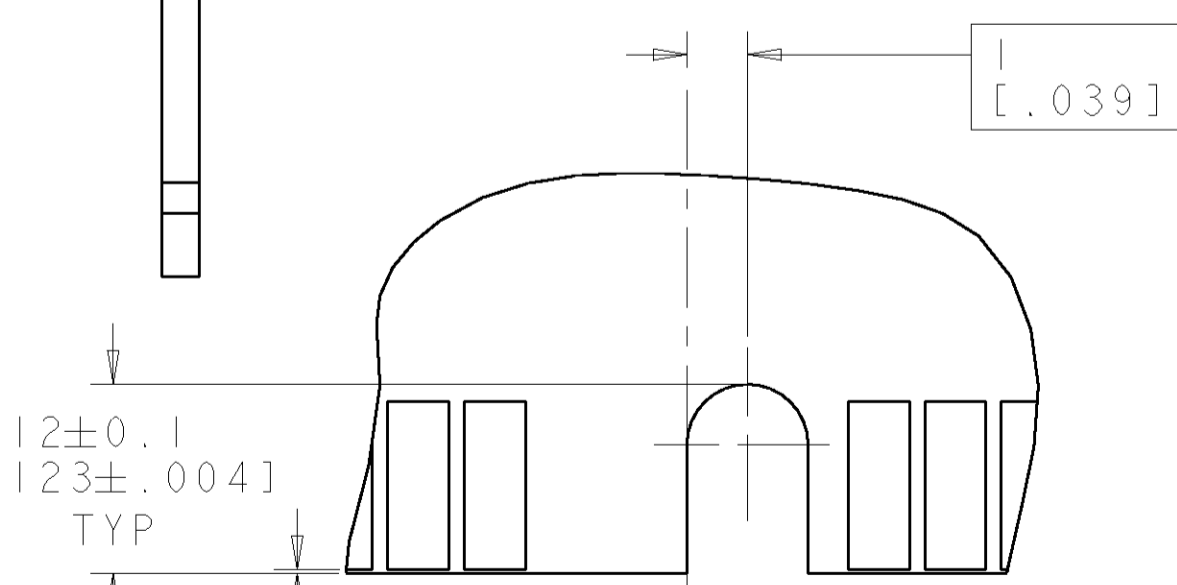
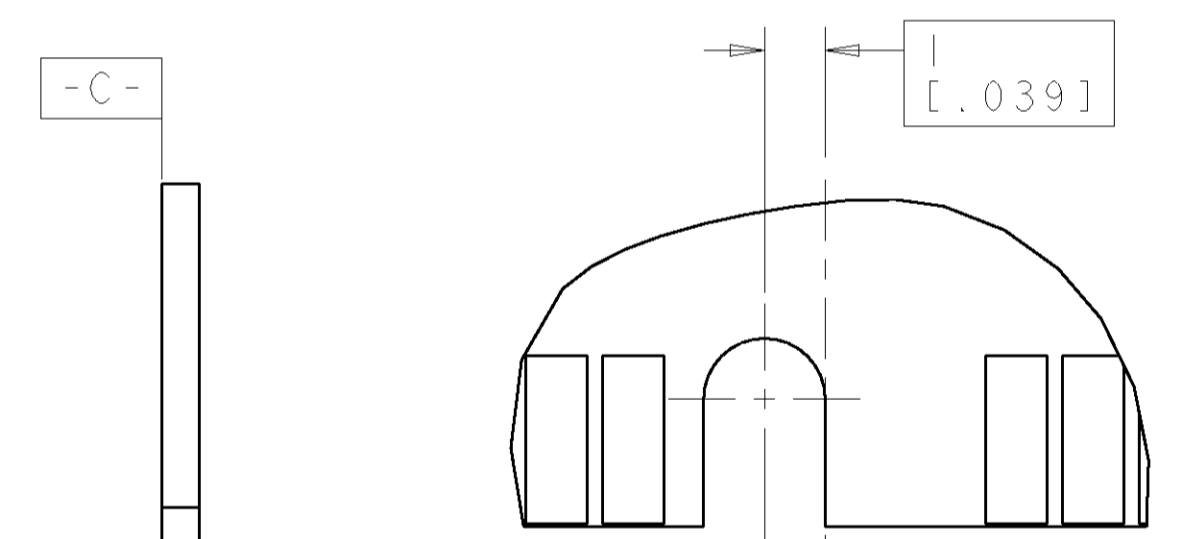
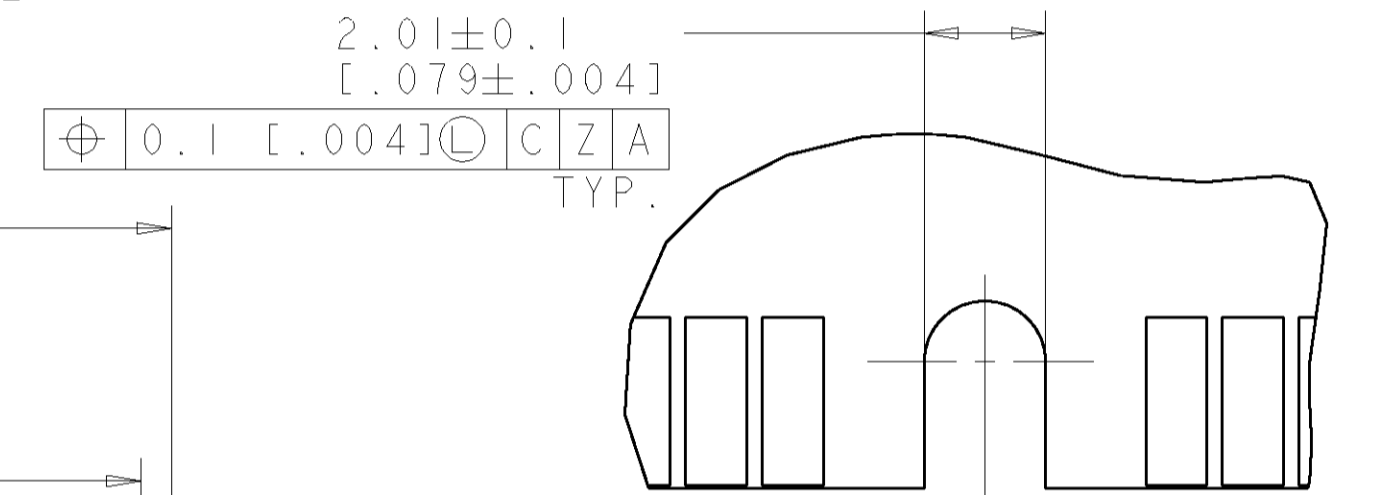
REVISIONS			
NO.	DESCRIPTION	DATE	BY
1	SEE SHEET 1		



RECOMMENDED CIRCUIT BOARD HOLE LAYOUT

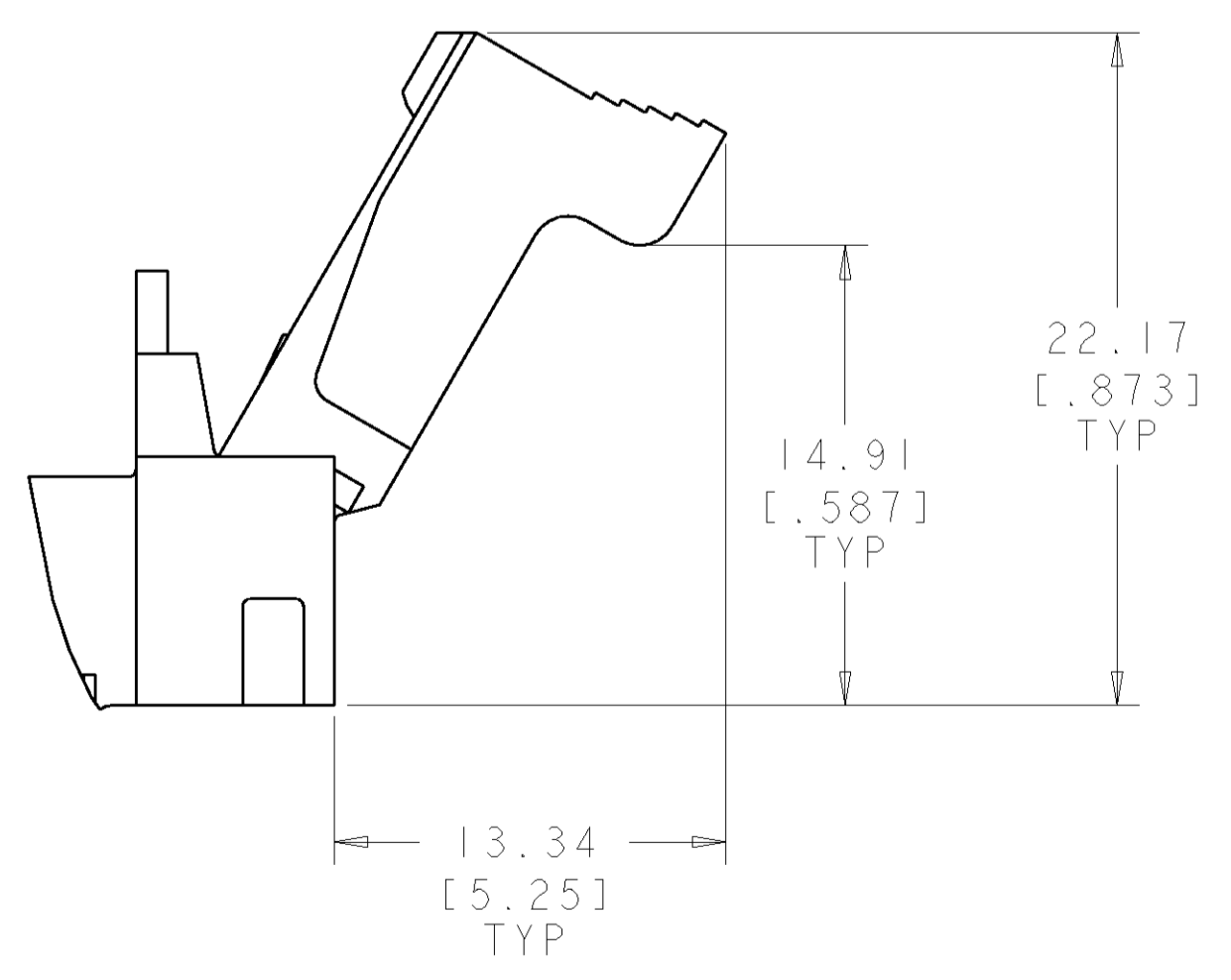
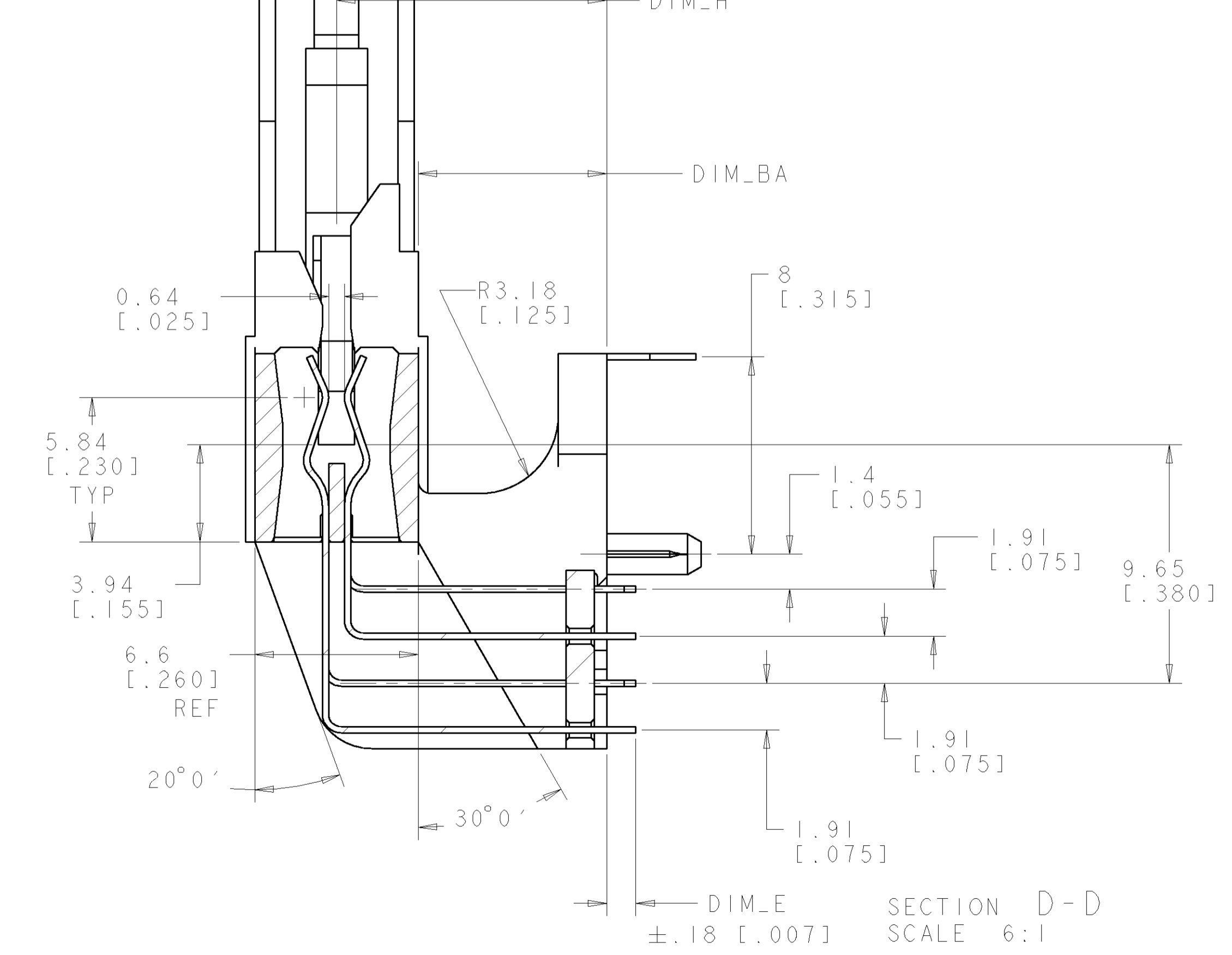
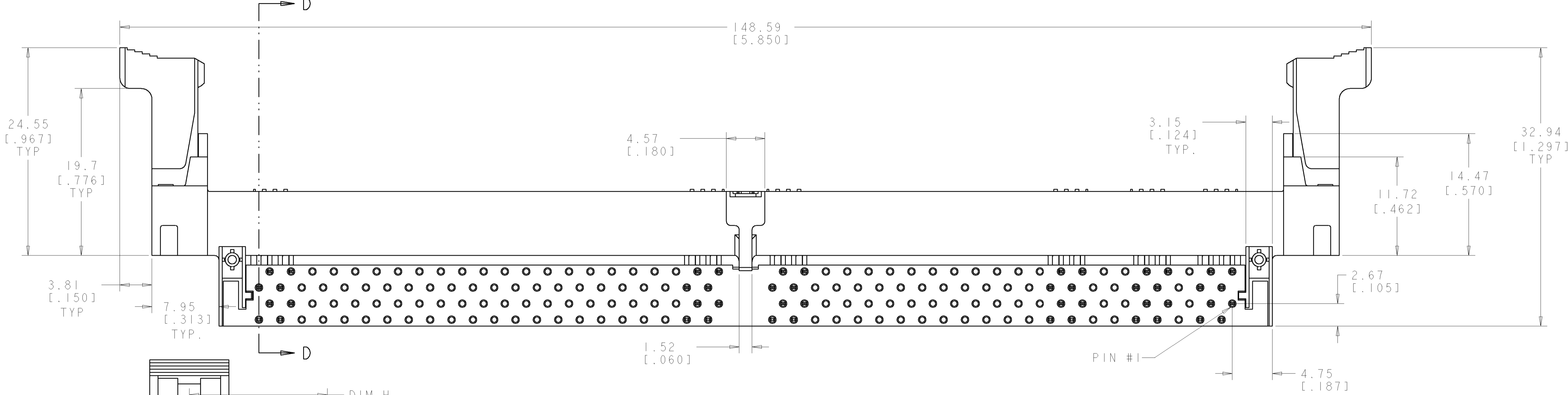
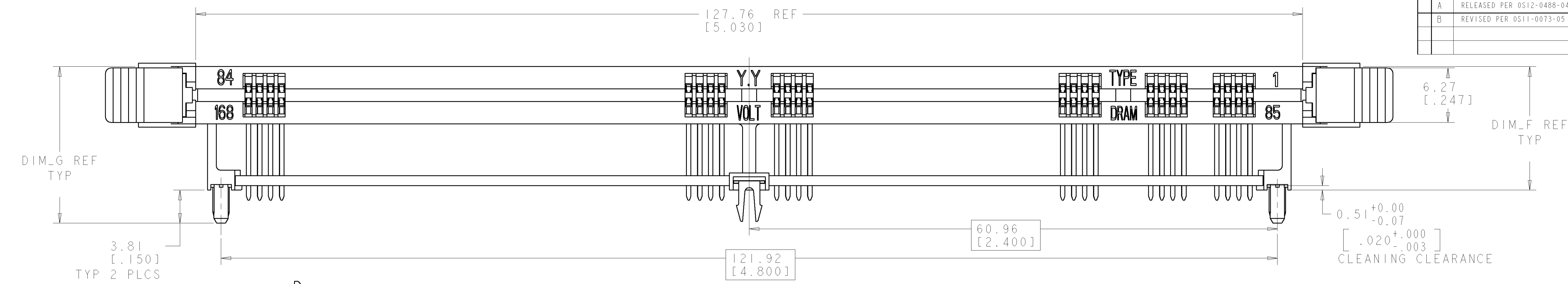


RECOMMENDED MODULE LAYOUT
 SEE JEDEC SPEC. MO-161 FOR COMPLETE MODULE DETAILS
 1.27±0.10 [0.050±0.004] THICK ACROSS CONTACT PADS



DIMENSIONS: mm [INCHES]		TOLERANCES UNLESS OTHERWISE SPECIFIED: 0 PLC ± 1 PLC ± 2 PLC ± 3 PLC ±0.13 [0.005] 4 PLC ± ANGLES ±		DWN M. YEOMANS 13JAN05 ENR M. YEOMANS 13JAN05 APVD S. BURKHOLDER 13JAN05		tyco Tyco Electronics Harrisburg, PA 17105-3608	
MATERIAL FINISH		WEIGHT FINISH		PRODUCT SPEC APPLICATION SPEC		NAME SOCKET, DRO, RT ANGLE, VERSION 11, 168 POSITION 17.78mm LOCKING EXTRACTORS.	
CUSTOMER DRAWING		SCALE 1:1		SIZE CAGE CODE DRAWING NO. A1 00779 C=5390175		RESTRICTED TO SHEET 2 OF 3 REV B	

REVISONS		DATE	BY	APPD
A	RELEASED PER OS12-0488-04	13JAN05	MY	SB
B	REVISED PER OS11-0073-05	40CT05	MY	VR



EXTRACTOR SHOWN IN THE OPEN POSITION

NOTES:



- 1 MATERIAL:
HOUSING:
HIGH TEMPERATURE NYLON
CONTACT:
PHOSPHOR BRONZE
- 2 FINISH:
CONTACT AREA:
0.00076[.000030] MIN THICK GOLD OVER
0.001270[.000050] MIN THICK NICKEL
OR
0.000076[.000003] MIN THICK GOLD FLASH OVER
0.000510[.000020] MIN THICK PALLADIUM NICKEL OVER
0.001270[.000050] MIN THICK NICKEL
SOLDERTAIL:
0.00381[.000150] MIN THICK MATTETIN OVER
0.00064[.000025] MIN THICK NICKEL
- 3 MODULE BOARD PADS:
FOR OPTIMUM PERFORMANCE, PADS SHOULD BE SMOOTH AND FLAT
PADS TO BE PLATED WITH:
0.00102[.000040] MIN THICK GOLD OVER
0.00127[.000050] MIN THICK NICKEL
- 4 ASSEMBLY SHOULD NOT HAVE PLASTIC GUIDE POSTS OR A CENTER BOARDLOCK.
- 5 EXTRACTOR COLOR: GRAY

DIMENSIONS: mm [INCHES]		TOLERANCES UNLESS OTHERWISE SPECIFIED:		DWN M. YEOMANS 13JAN05		APVD S. RYBKHOLDER 13JAN05		NAME SOCKET, DRO, RT ANGLE, VERSION II, 168 POSITION 17.78mm LOCKING EXTRACTORS.	
0 PLC	±	1 PLC	±	2 PLC	±	3 PLC	±	4 PLC	±
5 PLC	±0.13 [0.005]	6 PLC	±	7 PLC	±	8 PLC	±	9 PLC	±
ANGLES	±1°			WEIGHT		SIZE CAGE CODE DRAWING NO		RESTRICTED TO	
MATERIAL		FINISH		CUSTOMER DRAWING		A1 00779 C=5390175		SCALE 4:1 SHEET 1 OF 3 REV B	

LOC	DIST	REVISIONS			
P	LTR	DESCRIPTION	DATE	DWN	APVD
GP	0	SEE SHEET 1	-	-	-

OBSOLETE

NB	3.3	7.11 [.280]	14.22 [.560]	10.41 [.410]	2.84 [.112]	3.81 [.150]	DETAIL C	DETAIL A	SYNC. NON-BUFFERED DRAM, 3.3 VOLT	5-5390175-6	5
NB	3.3	9.27 [.365]	16.38 [.645]	12.57 [.495]	2.84 [.112]	5.97 [.235]	DETAIL C	DETAIL A	SYNC. NON-BUFFERED DRAM, 3.3 VOLT	4-5390175-6	6
NB	3.3	9.27 [.365]	16.38 [.645]	12.57 [.495]	2.84 [.112]	5.97 [.235]	DETAIL C	DETAIL A	SYNC. NON-BUFFERED DRAM, 3.3 VOLT	3-5390175-6	
SYNC	3.3	9.27 [.365]	16.38 [.645]	12.57 [.495]	2.84 [.112]	5.97 [.235]	DETAIL B	DETAIL A	SYNC DRAM, 3.3 VOLT	3-5390175-5	
NB	3.3	7.11 [.280]	14.22 [.560]	10.41 [.410]	2.84 [.112]	3.81 [.150]	DETAIL C	DETAIL A	SYNC. NON-BUFFERED DRAM, 3.3 VOLT	2-5390175-6	
NB	3.3	9.27 [.365]	16.38 [.645]	12.57 [.495]	1.96 [.077]	5.97 [.235]	DETAIL C	DETAIL A	SYNC. NON-BUFFERED DRAM, 3.3 VOLT	1-5390175-6	
NB	3.3	10.92 [.430]	18.03 [.710]	14.22 [.560]	3.18 [.125]	7.62 [.300]	DETAIL C	DETAIL A	SYNC. NON-BUFFERED DRAM, 3.3 VOLT	5390175-6	
TYPE	Y.Y	DIM_H	DIM_G REF	DIM_F REF	DIM_E ±.18[.007]	DIM_BA	KEY #1	KEY #2	PART DESCRIPTION	PART NUMBER	

<small>THIS DRAWING IS UNPUBLISHED. RELEASED FOR PUBLICATION BY TYCO ELECTRONICS CORPORATION. ALL RIGHTS RESERVED.</small>		DWN M. YEOMANS 13JAN05 ENR M. YEOMANS 13JAN05 APVD S. BURKHOLDER 13JAN05	tyco Tyco Electronics Harrisburg, PA 17105-3608
DIMENSIONS: mm [INCHES]	TOLERANCES UNLESS OTHERWISE SPECIFIED: 0 PLC ± 1 PLC ± 2 PLC ± 3 PLC ± 4 PLC ± ANGLES ±	NAME SOCKET, DRO, RT ANGLE, VERSION 11, 168 POSITION 17.78mm LOCKING EXTRACTORS. PRODUCT SPEC APPLICATION SPEC	SIZE CAGE CODE DRAWING NO RESTRICTED TO A 00779 C-5390175 -
MATERIAL 	FINISH 	WEIGHT CUSTOMER DRAWING	SCALE 4:1 SHEET 3 OF 3 REV B