

LOC		DIST		REVISIONS				DATE	APPD
P	F	ZONE	LTR	DESCRIPTION					
				U	REVISED PER EC 0513-0486-03			15MAR04	JR

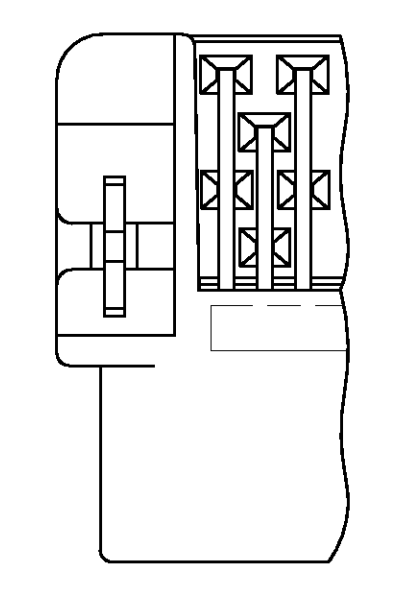
- 1 HOUSING & TINE PLATE - LIQUID CRYSTAL POLYMER (LCP), UL 94V-0, BLACK.
- 2. CONNECTOR SOLDER TAILS WILL ACCOMMODATE PRINTED CIRCUIT BOARD THICKNESS OF 0.8 TO 1.6 [.031 TO .063].
- 3 G, J, H INDICATE NUMBER OF POSITION MARKED ON ASSEMBLY. ALSO SEE TABLE.
- 4 THIS PART IS TUBE PACKAGED.
- 5 CONTACTS - PHOSPHOR BRONZE PLATED WITH MINIMUM GOLD THICKNESS (SEE TABLE) IN CONTACT AREA AND 0.0038 [.000150] MINIMUM THICK TIN-LEAD ON SOLDER TINES OVER 0.00127 [.000050] MINIMUM THICK NICKEL UNDERPLATE.
- 6 RETENTION LEGS - BRASS PLATED WITH 0.0038 [.000150] MINIMUM TIN-LEAD OVER 0.00127 [.000050] MINIMUM NICKEL UNDERPLATE.
- 7 RETENTION LEGS - BRASS PLATED WITH 0.0038 [.000150] MINIMUM TIN OVER 0.00127 [.000050] MINIMUM NICKEL UNDERPLATE.

NOTES	C	B	A	G	J	H	GOLD	PART NO
	86.13 [3.391]	82.33 [3.241]	83.27 [3.278]	60	120	61	0.00076 [.000030]	5-757100-7
	41.68 [1.641]	37.88 [1.491]	38.82 [1.528]	25	50	26	0.00076 [.000030]	5-657100-6
	35.33 [1.391]	31.53 [1.241]	32.47 [1.278]	20	40	21	0.00076 [.000030]	5-557100-5
PRELIMINARY -NOT RELEASED FOR PRODUCTION-	86.13 [3.391]	82.33 [3.241]	83.27 [3.278]	60	120	61	0.00076 [.000030]	5-557100-4
OBSOLETE	124.23 [4.891]	120.43 [4.741]	121.37 [4.778]	90	180	91	0.00076 [.000030]	5-557100-3
	98.83 [3.891]	95.03 [3.741]	95.97 [3.778]	70	140	71	0.00076 [.000030]	4-557100-9
	136.93 [5.391]	133.13 [5.241]	134.07 [5.278]	100	200	101	0.00076 [.000030]	4-557100-1
	111.53 [4.391]	107.73 [4.241]	108.67 [4.278]	80	160	81	0.00076 [.000030]	3-557100-7
OBSOLETE	92.48 [3.641]	88.68 [3.491]	89.62 [3.528]	65	130	66	0.00076 [.000030]	3-557100-3
	86.13 [3.391]	82.33 [3.241]	83.27 [3.278]	60	120	61	0.00076 [.000030]	2-557100-9
	73.43 [2.891]	69.63 [2.741]	70.57 [2.778]	50	100	51	0.00076 [.000030]	2-557100-5
	60.73 [2.391]	56.93 [2.241]	57.87 [2.278]	40	80	41	0.00076 [.000030]	2-557100-1
	53.11 [2.091]	49.31 [1.941]	50.25 [1.978]	34	68	35	0.00076 [.000030]	1-557100-7
	48.03 [1.891]	44.23 [1.741]	45.17 [1.778]	30	60	31	0.00076 [.000030]	1-557100-3
	41.68 [1.641]	37.88 [1.491]	38.82 [1.528]	25	50	26	0.00076 [.000030]	557100-9
	35.33 [1.391]	31.53 [1.241]	32.47 [1.278]	20	40	21	0.00076 [.000030]	557100-5
OBSOLETE	28.98 [1.141]	25.18 [.991]	26.12 [1.028]	15	30	16	0.00076 [.000030]	557100-1

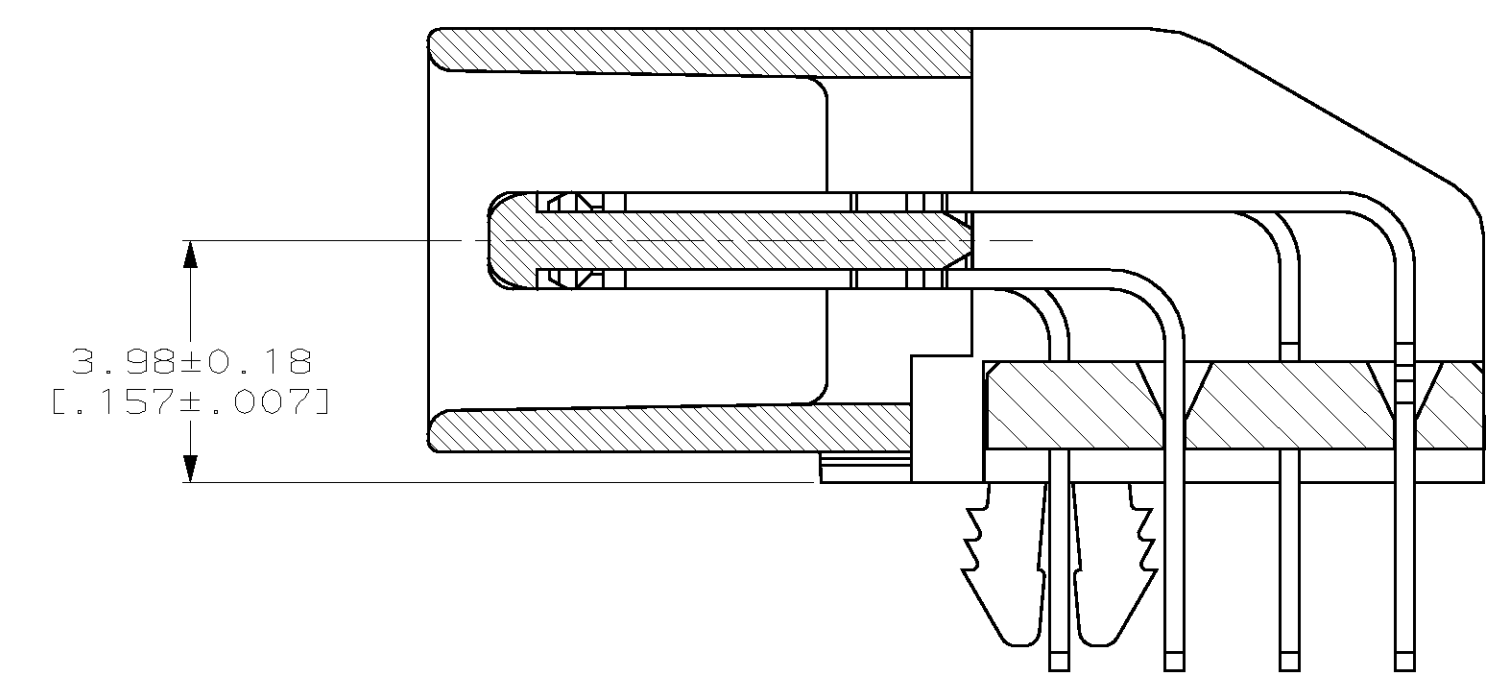
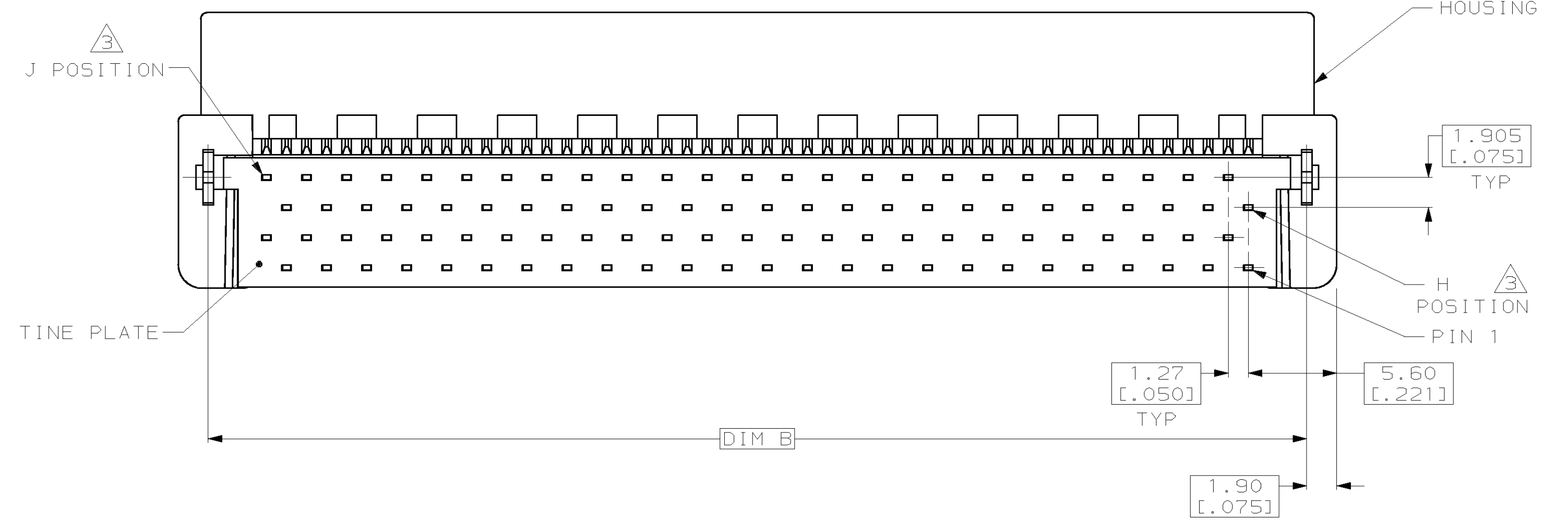
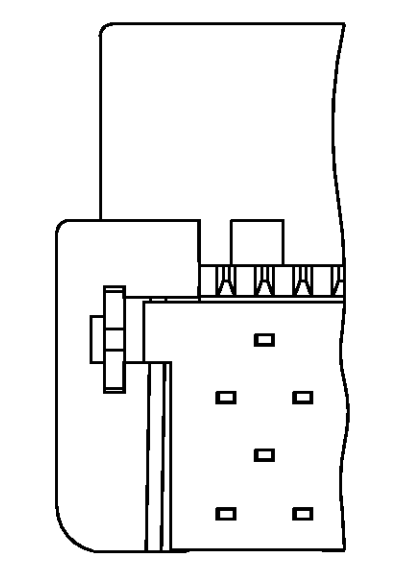
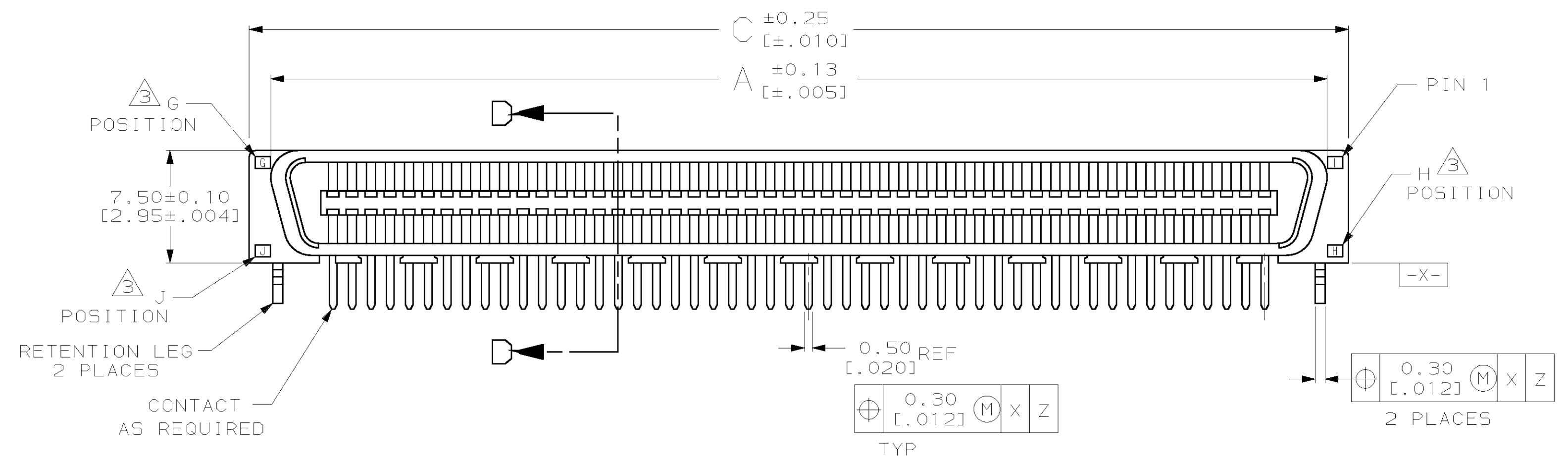
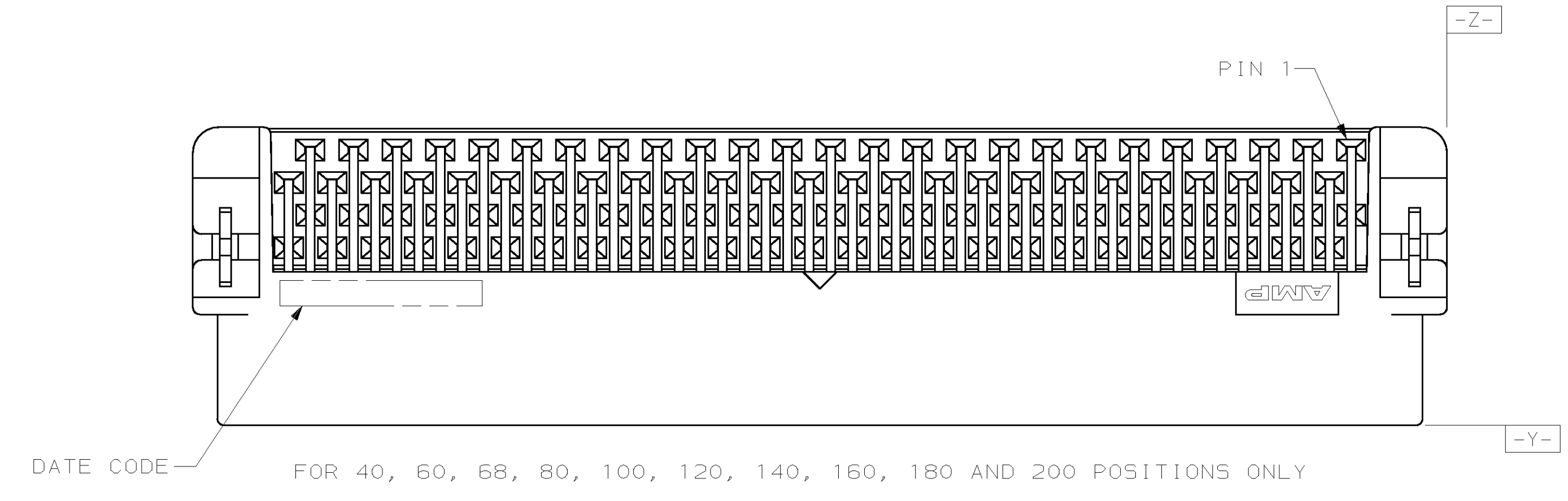
DO NOT SCALE PRINT. UNLESS SPECIFIED DIMENSIONS IN mm [INCHES] TOLERANCES ON: 2 PLC DEC ± - 3 PLC DEC ± - ANGLES ± -	DR 8-31-89 A.HOLT CHK 10-3-89 N.JONES APPD 12-4-89 T.PIZZULO APPD 12-4-89 J.B.WILKERSON	AMP INCORPORATED Harrisburg, Pa. 17105
SEE NOTES	PRODUCT SPEC 108-1367	NAME PLUG ASSEMBLY, RIGHT ANGLE, BOARD-TO-BOARD, CHAMP™ .050, SERIES I
FINISH SEE NOTES	APPLICATION SPEC 114-6045	SIZE D 00779
	WEIGHT	CAGE CODE 00779
		DRAWING NO. 557100
		SCALE 4:1

SUPERSEDED
NOT THE LATEST REVISION

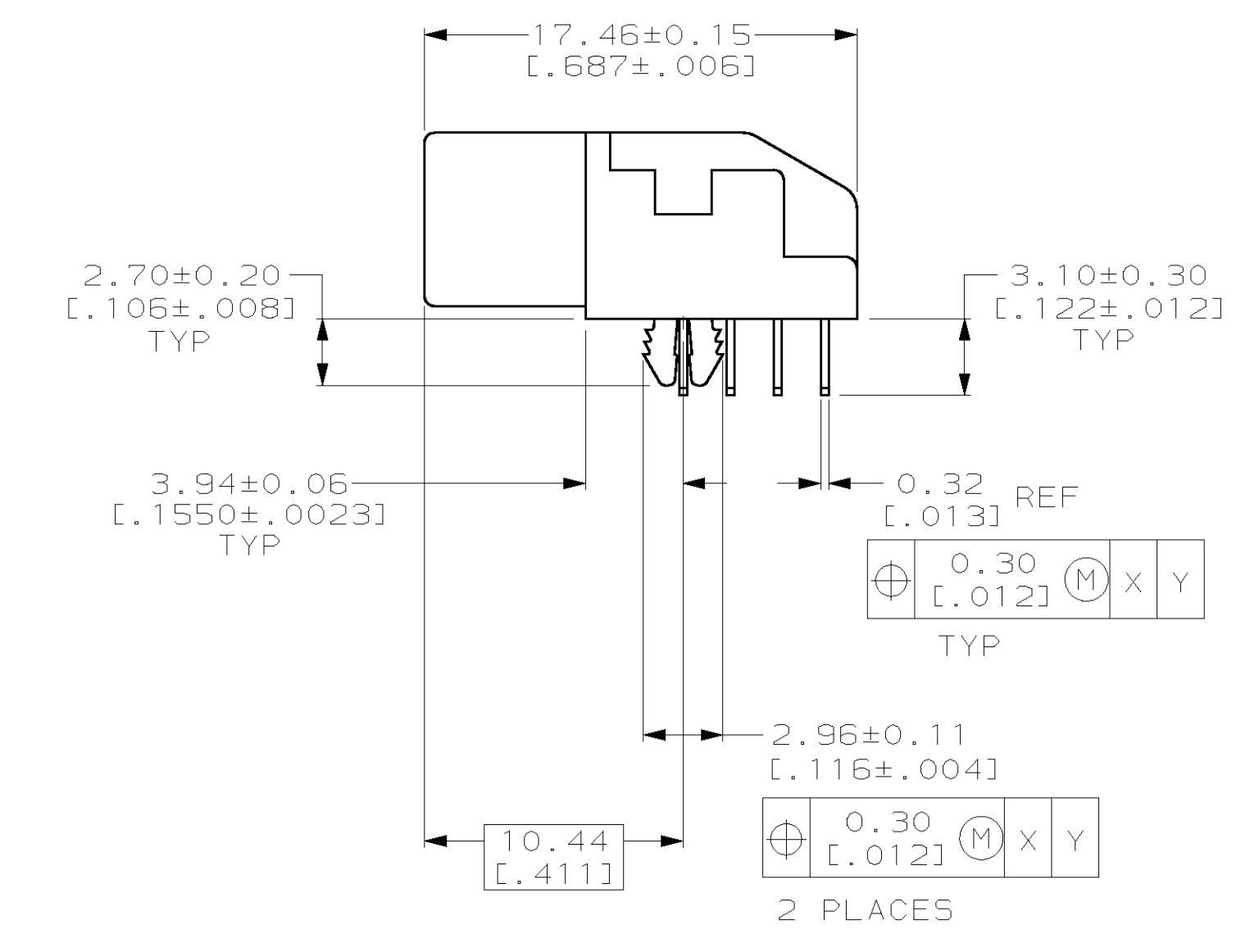
LOC		DIST		REVISIONS			
P	F	ZONE	LTR	DESCRIPTION	DATE	APPD	
DW	00			U	SEE SHEET 1		



FOR 50, 130 POSITIONS ONLY

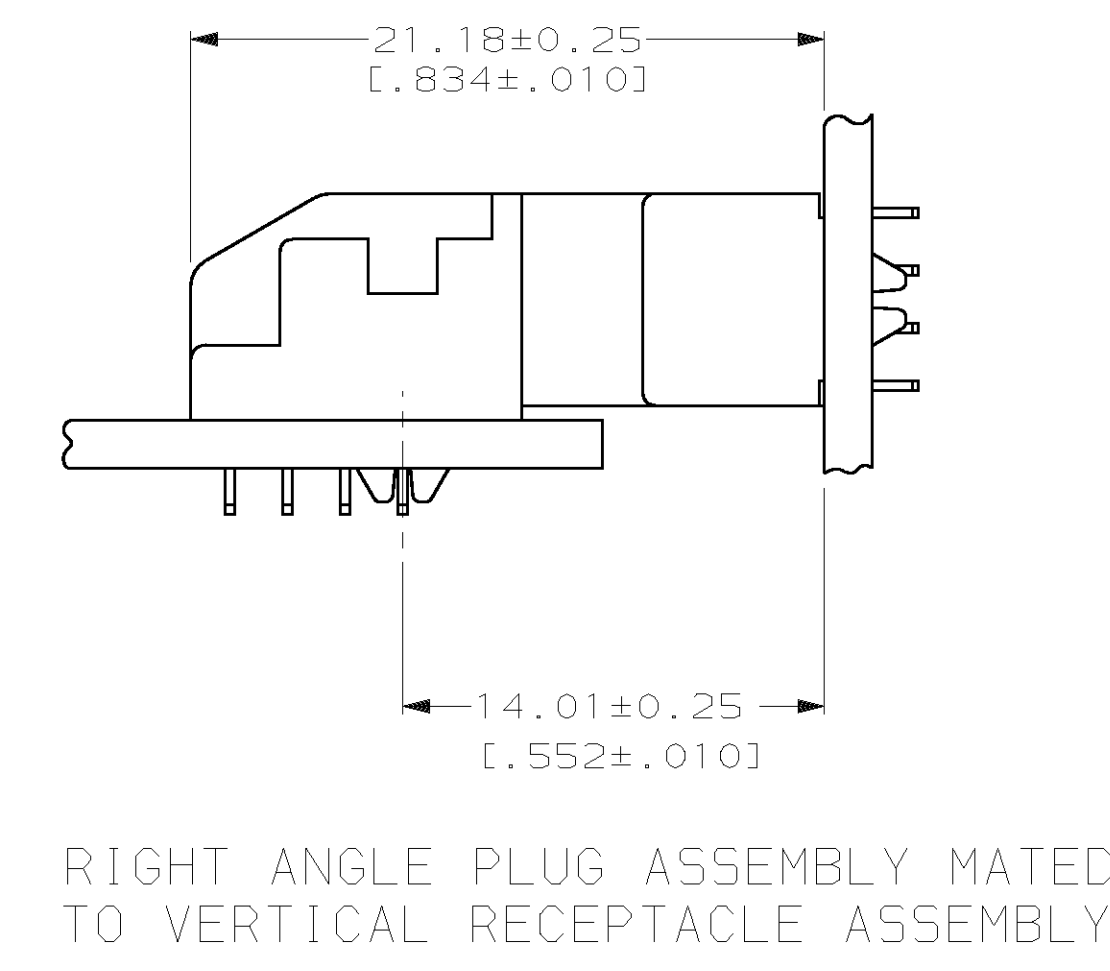
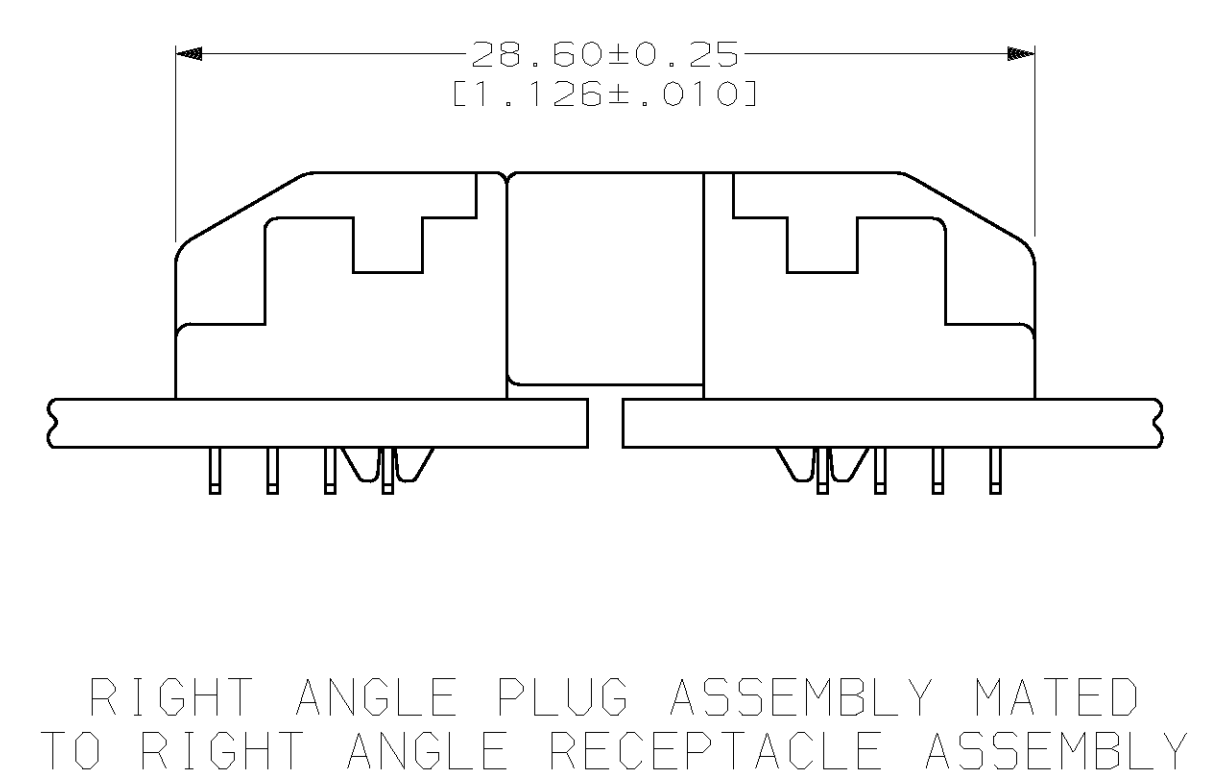
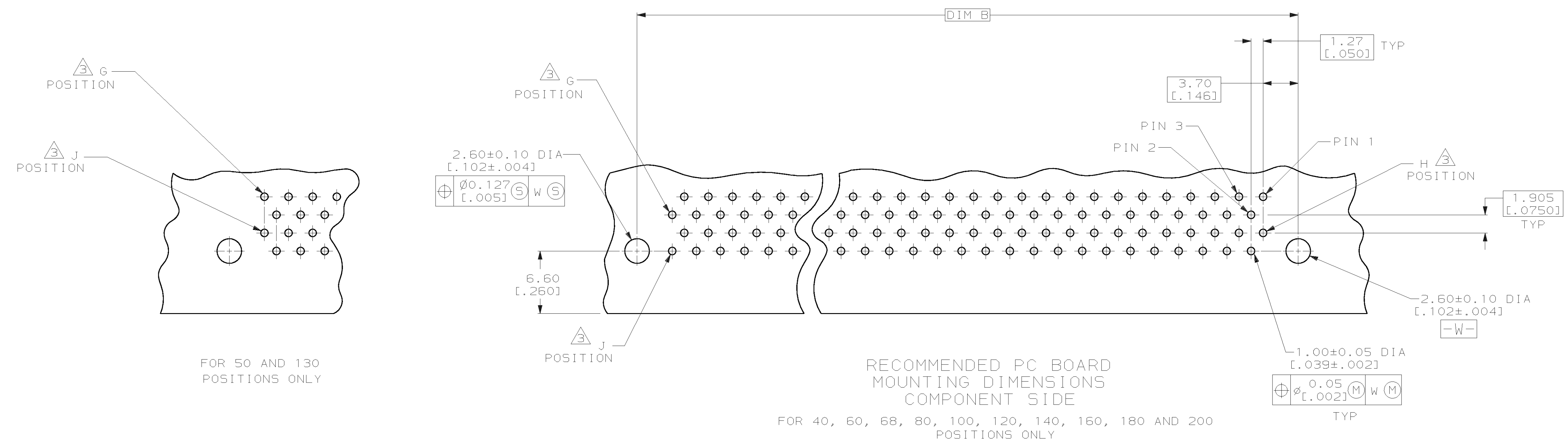


SECTION D-D
SCALE 8:1



DESCRIPTION		PART NO	
DO NOT SCALE PRINT.	DR 8-21-89 R. MARTIN	AMP INCORPORATED Harrisburg, Pa. 17105	
DIMENSIONS IN mm [INCHES]	CHK 10-3-89 N. JONES		
TOLERANCES ON:	APPD 12-4-89 T. PIZZULO	NAME PLUG ASSEMBLY, RIGHT ANGLE, BOARD-TO-BOARD CHAMP™ .050, SERIES I	
2 PLC DEC ± -	APPD 12-4-89 J.B. WILKERSON		
3 PLC DEC ± -	PRODUCT SPEC	SIZE D 00779 DRAWING NO 557100	
ANGLES ± -	APPLICATION SPEC		
MATERIAL	FINISH	SCALE	4:1
	WEIGHT	SHEET 2 OF 3	

LOC		DIST		REVISIONS			
P	F	ZONE	LTR	DESCRIPTION	DATE	APPD	
				U	SEE SHEET 1		



DO NOT SCALE PRINT. UNLESS SPECIFIED DIMENSIONS IN mm [INCHES]		DR 8-21-89 R. MARTIN		AMP INCORPORATED Harrisburg, Pa. 17105	
TOLERANCES ON:		CHK 10-3-89 N. JONES			
2 PLC DEC ± -		APPD 12-4-89 T. PIZZULO		NAME	
3 PLC DEC ± -		APPD 12-4-89 J.B. WILKERSON		PLUG ASSEMBLY, RIGHT ANGLE, BOARD-TO-BOARD	
ANGLES ± -		PRODUCT SPEC -		CHAMP™ .050, SERIES I	
MATERIAL -		APPLICATION SPEC -		SIZE	CAGE CODE
FINISH -		WEIGHT -		D 00779	557100
				SCALE 4:1	DRAWING NO. SHEET 3 OF 3