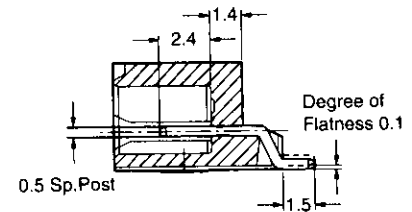
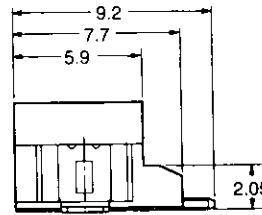
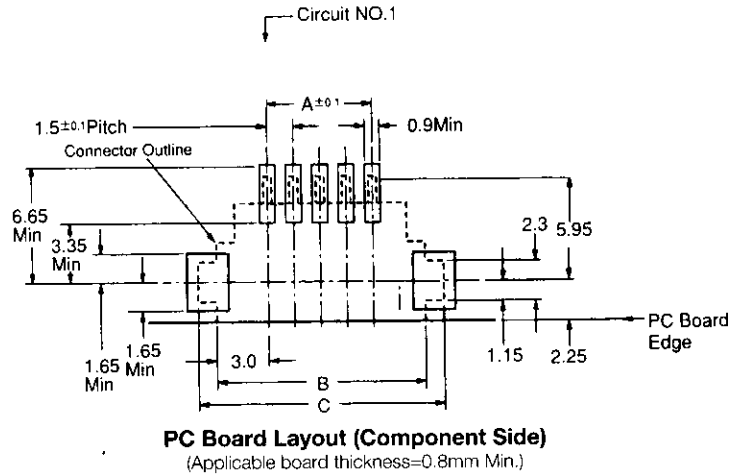
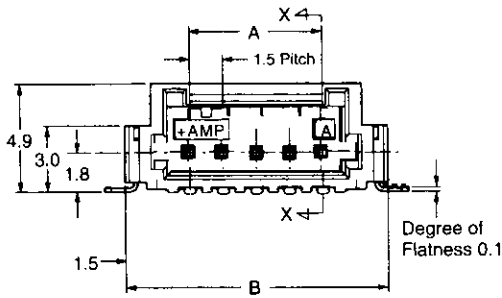
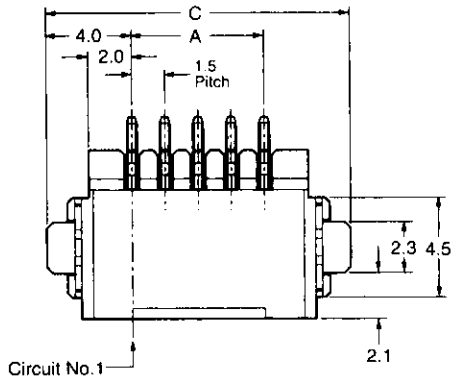


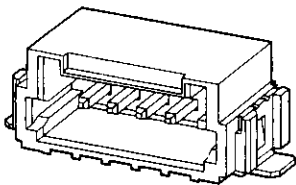
Wire to Board Connectors Mini CT (Common Termination) Connector System Post Header Assemblies (Board-mount)(Cont'd)

One-Row SMT Type / Horizontal-mount Type (without bosses)



Section X-X

Material and Finish :
Housing — Glassfiber reinforced heat-resistant Nylon, beige and black
Post — Pre-tinned, brass wire



No. of Pos.	Dimensions			Part No. of Post Header Assemblies*	
	A	B	C	Beige (Natural color)	Black
2	1.5	7.5	9.5	292228-2	5-292228-2
3	3.0	9.0	11.0	292228-3	5-292228-3
4	4.5	10.5	12.5	292228-4	5-292228-4
5	6.0	12.0	14.0	292228-5	5-292228-5
6	7.5	13.5	15.5	292228-6	5-292228-6
7	9.0	15.0	17.0	292228-7	5-292228-7
8	10.5	16.5	18.5	292228-8	5-292228-8
9	12.0	18.0	20.0	292228-9	5-292228-9
10	13.5	19.5	21.5	1-292228-0	6-292228-0
11	15.0	21.0	23.0	1-292228-1	6-292228-1
12	16.5	22.5	24.5	1-292228-2	6-292228-2
13	18.0	24.0	26.0	1-292228-3	6-292228-3
14	19.5	25.5	27.5	1-292228-4	6-292228-4
15	21.0	27.0	29.0	1-292228-5	6-292228-5
16	22.5	28.5	30.5	1-292228-6	6-292228-6
17	24.0	30.0	32.0	1-292228-7	6-292228-7
18	25.5	31.5	33.5	1-292228-8	6-292228-8
19	27.0	33.0	35.0	1-292228-9	6-292228-9
20	28.5	34.5	36.5	2-292228-0	7-292228-0

*Emboss tape mounted, 700 pcs.