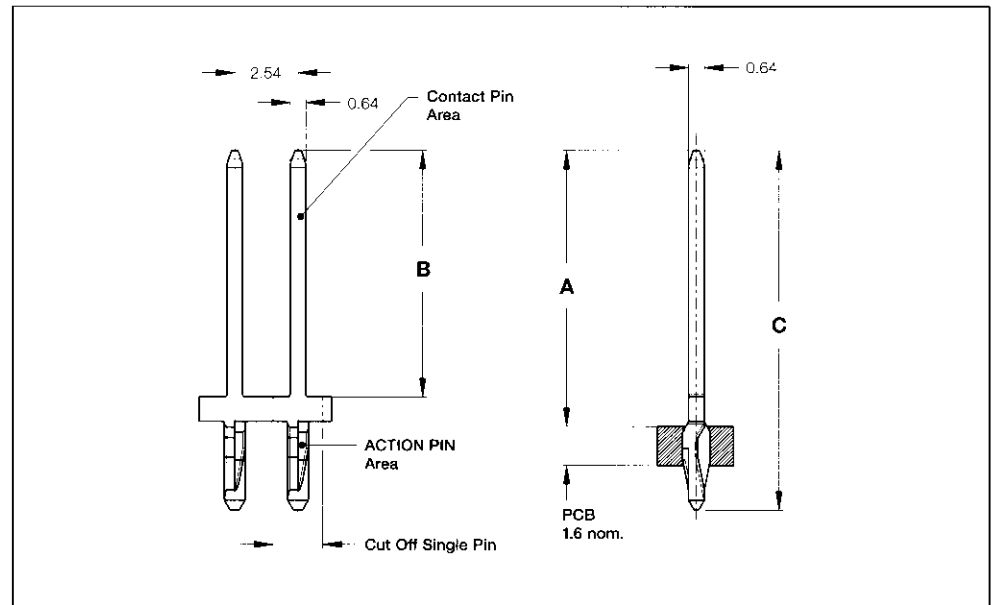


AMPMODU II Pins

Technical Features

Product Specification:
IEC 60352-5

Application Specification:
114-25011



Dimensions (mm)			Nominal PCB Hole Diameter, Plated*	Material	Finish	Part Numbers			
A	B	C				Strip Form	Packaging Unit	Loose-Piece	Packaging Unit
5.20	4.00	8.40	0.9	CuSn 4	1)	1-928776-9	50,000	1-928836-9	1,000
6.80	5.60	10.00			1)	2-928776-5	50,000	2-928836-5	
7.45	6.25	10.65			3)	1-928776-5	50,000	1-928836-5	
8.25	7.05	11.45			3)	2-928776-0	50,000	2-928836-0	
9.50	8.30	12.70			1)	2-928776-2	50,000	2-928836-2	
10.00	8.80	13.20			3)	1-928776-2	50,000	1-928836-2	
12.00	10.80	15.20			1)	1-928776-8	50,000	1-928836-8	
13.60	12.40	16.80			1)	3-928776-4	50,000	3-928836-4	
18.00	16.80	21.20			3)	1-928776-4	50,000	1-928836-4	
21.30	20.10	24.50			1)	2-928776-3	50,000	2-928836-3	
3.60	2.40	6.80			3)	1-928776-3	50,000	1-928836-3	
8.25	8.05	11.45			1)	1-928776-6	50,000	1-928836-6	
8.80	5.80	12.70			3)	2-928776-6	50,000	2-928836-6	
9.70	6.70	13.60			1)	2-928776-7	50,000	2-928836-7	
11.80	8.80	15.70	3)	1-928776-7	50,000	1-928836-7			
13.10	10.10	17.00	1)	2-928776-1	50,000	2-928836-1			
			3)	1-928776-1	50,000	1-928836-1			
			4)	0-964056-2	50,000	-	-		
			1)	0-737604-2	50,000	-	-		
			4)	1-215345-1	50,000	-	-		
			1)	1-215345-4		-	-		
			3)	215345-2		-	-		
			4)	215345-3		-	-		
			3)	1-215345-6	50,000	-	-		
			1)	1-215345-3		-	-		
			3)	215345-9		-	-		
			4)	215345-5	-	-			

Finish:

- 1) Tin over nickel plated
- 2) Contact pin area selective 0.2 µm gold over nickel plated, ACTION PIN area selective tin over nickel plated
- 3) Contact pin area selective 0.8 µm gold over nickel plated, ACTION PIN area selective tin over nickel plated
- 4) Contact pin area selective 1.3 µm gold over nickel plated, ACTION PIN area selective tin over nickel plated

*) Structure of finished plated-through hole see table page 149

Other post lengths, materials and finishes on request.