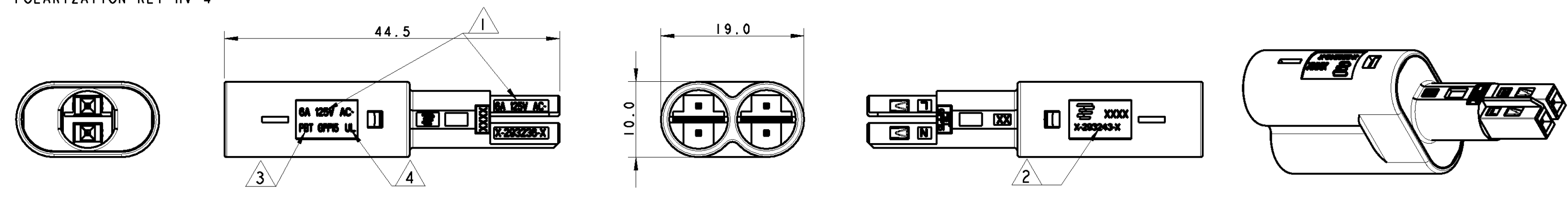


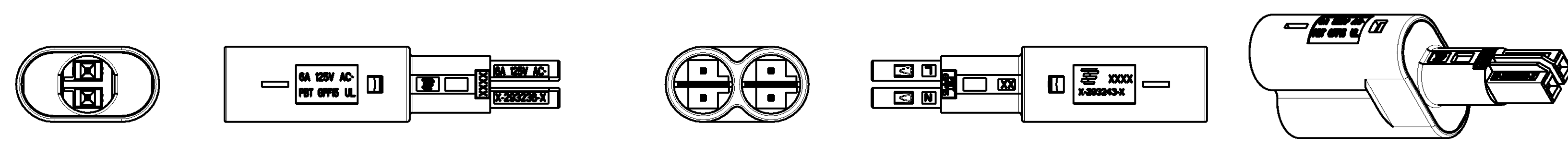
THIS DRAWING IS UNPUBLISHED. RELEASED FOR PUBLICATION 2009
 © COPYRIGHT 2009 BY TYCO ELECTRONICS CORPORATION. ALL INTERNATIONAL RIGHTS RESERVED.

LOC		DIST		REVISIONS			
P	LTR	DESCRIPTION	DATE	DWN	APVD		
A	-		18FEB2010	-	-		

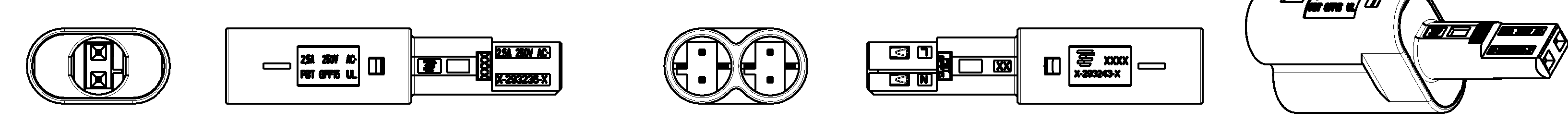
P/N 1-293234-0 AS SHOWN
POLARIZATION KEY HV-4



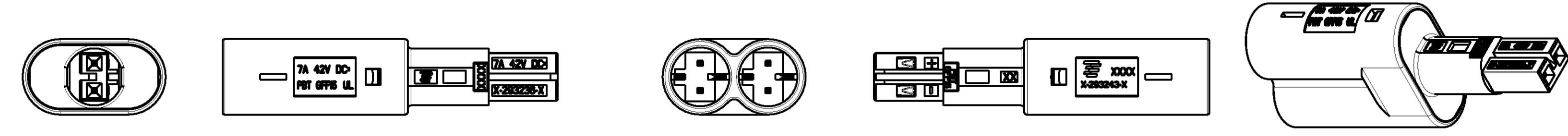
P/N 1-293234-1 AS SHOWN
POLARIZATION KEY HV-3



P/N 1-293234-2 AS SHOWN
POLARIZATION KEY HV-5



P/N 1-293234-3 AS SHOWN
POLARIZATION KEY LV-2



THE PRESENTED PRODUCT / DESIGN WILL BE RELEASED FOR THE MANUFACTURING OF THE NECESSARY PRODUCTION TOOLS HEREBY. FURTHER CHANGES HAS TO BE PAID BY CUSTOMER
 DATE, SIGN OF THE CUSTOMER

- 1 KEYING DEPENDENT TO THE MARKING
- 2 PART MARKING
-Tyco Electronics Product Identifier
Date code
Part number
- 3 RAW MATERIAL IDENTIFICATION PBT GFF15
- 4 INSERT FOR UL LOGO
- 5 NOT YET RELEASED FOR PRODUCTION

NOTE	KEYING	P/N	REV.	REMARKS	MARKING
5	LV-2/LV-2 &LV-2	293650-4	A	LOW-VOLT 42V DC	7A 42V DC=
5	HV-5/HV-5 &HV-5	293650-3	A	HIGH-VOLT 125V	6A 125V AC~
5	HV-3/HV-3&HV-3	293650-2	A	HIGH-VOLT 125V	6A 125V AC~
5	HV-4/HV-4 &HV-4	293650-1	A	HIGH-VOLT 125V	6A 125V AC~

THIS DRAWING IS A CONTROLLED DOCUMENT FOR TYCO ELECTRONICS CORPORATION IT IS SUBJECT TO CHANGE AND THE CONTROLLING ENGINEERING ORGANIZATION SHOULD BE CONTACTED FOR THE LATEST REVISION

DWN	A. Vecchia	18FEB2010	Tyco Electronics AMP Italia S.r.l. 10093 Collegno TO
CHK	G. Turco	18FEB2010	
APVD	G. Turco	18FEB2010	
PRODUCT SPEC			
APPLICATION SPEC			NAME
WEIGHT			SIZE
CUSTOMER DRAWING			CAGE CODE
			DRAWING NO
			RESTRICTED TO
			SCALE
			SHEET
			REV

T SPLITTER CONNECTOR
STANDARD VERSION
FOR USA MARKET

NOT THE LATEST REVISION

A200779C-293650