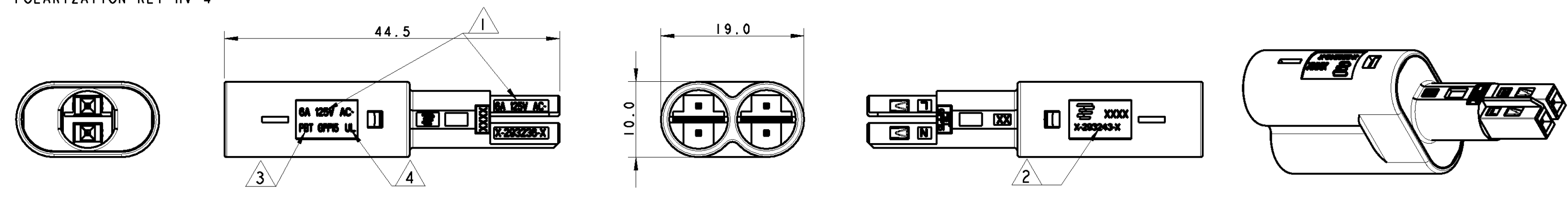


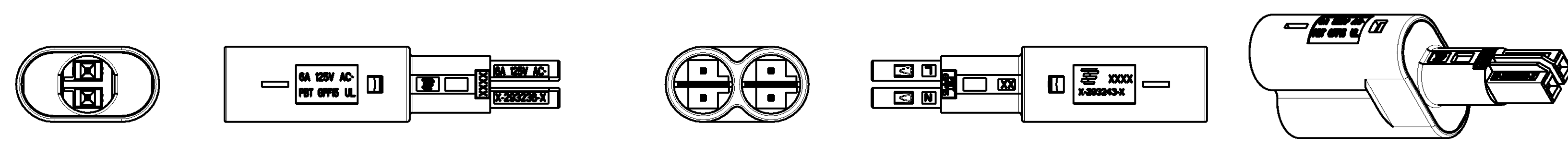
THIS DRAWING IS UNPUBLISHED. RELEASED FOR PUBLICATION 2009
 © COPYRIGHT 2009 BY TYCO ELECTRONICS CORPORATION. ALL INTERNATIONAL RIGHTS RESERVED.

REVISONS				
P	LTR	DESCRIPTION	DATE	APVD
A	-		18FEB2010	-

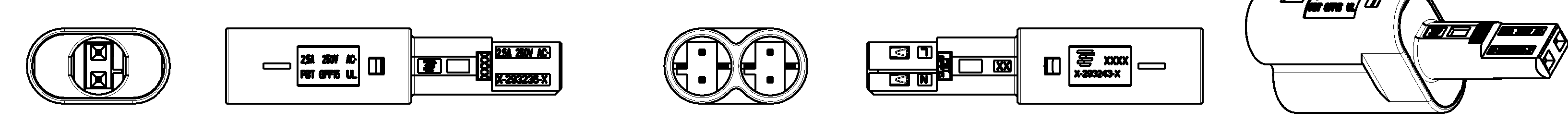
P/N 1-293234-0 AS SHOWN
POLARIZATION KEY HV-4



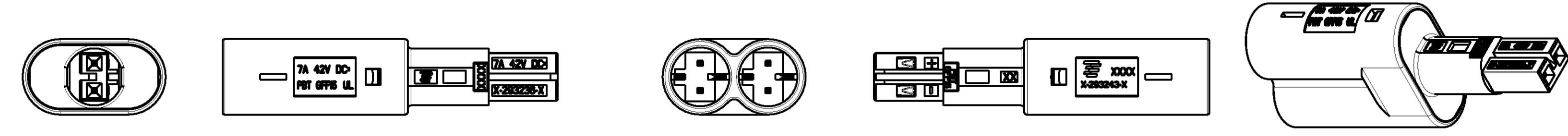
P/N 1-293234-1 AS SHOWN
POLARIZATION KEY HV-3



P/N 1-293234-2 AS SHOWN
POLARIZATION KEY HV-5



P/N 1-293234-3 AS SHOWN
POLARIZATION KEY LV-2



THE PRESENTED PRODUCT / DESIGN WILL BE RELEASED FOR THE MANUFACTURING OF THE NECESSARY PRODUCTION TOOLS HEREBY. FURTHER CHANGES HAS TO BE PAID BY CUSTOMER
 DATE, SIGN OF THE CUSTOMER

- 1 KEYING DEPENDENT TO THE MARKING
- 2 PART MARKING
-Tyco Electronics Product Identifier
Date code
Part number
- 3 RAW MATERIAL IDENTIFICATION PBT GFF15
- 4 INSERT FOR UL LOGO
- 5 NOT YET RELEASED FOR PRODUCTION

NOTE	KEYING	P/N	REV.	REMARKS	MARKING
5	LV-2/LV-2 &LV-2	293650-4	A	LOW-VOLT 42V DC	7A 42V DC=
5	HV-5/HV-5 &HV-5	293650-3	A	HIGH-VOLT 125V	6A 125V AC~
5	HV-3/HV-3&HV-3	293650-2	A	HIGH-VOLT 125V	6A 125V AC~
5	HV-4/HV-4 &HV-4	293650-1	A	HIGH-VOLT 125V	6A 125V AC~

<small>THIS DRAWING IS A CONTROLLED DOCUMENT FOR TYCO ELECTRONICS CORPORATION IT IS SUBJECT TO CHANGE AND THE CONTROLLING ENGINEERING ORGANIZATION SHOULD BE CONTACTED FOR THE LATEST REVISION</small>		DWN 18FEB2010 CHK A. Vecchia G. Turco APVD 18FEB2010 G. Turco	Tyco Electronics AMP Italia S.r.l. 10093 Collegno TO
DIMENSIONS: mm 	TOLERANCES UNLESS OTHERWISE SPECIFIED: 0 PLC ± 1 PLC ± 2 PLC ± 3 PLC ± 4 PLC ± ANGLES ±° FINISH	PRODUCT SPEC - APPLICATION SPEC - WEIGHT -	NAME T SPLITTER CONNECTOR STANDARD VERSION FOR USA MARKET
MATERIAL		SIZE A2 CAGE CODE 00779 DRAWING NO. C-293650	RESTRICTED TO - SCALE 2:1 SHEET 1 OF 1 REV A