

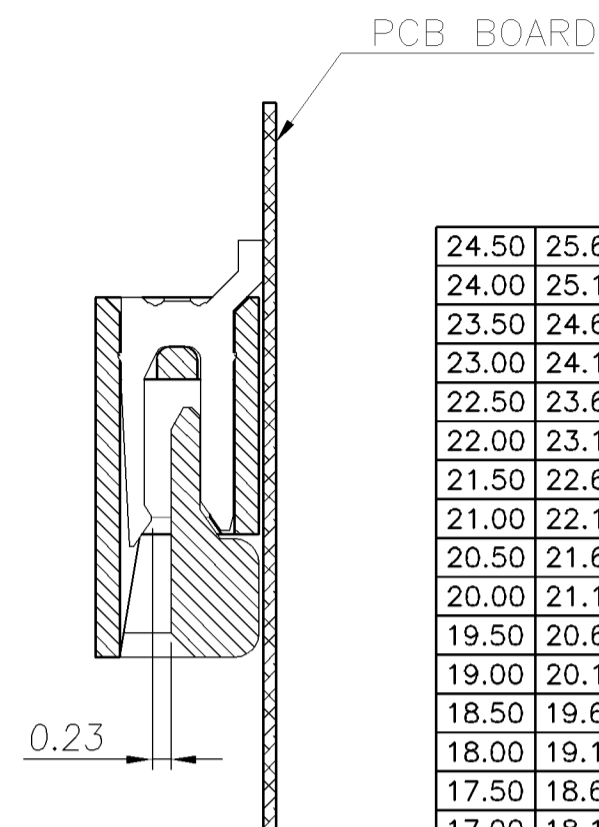
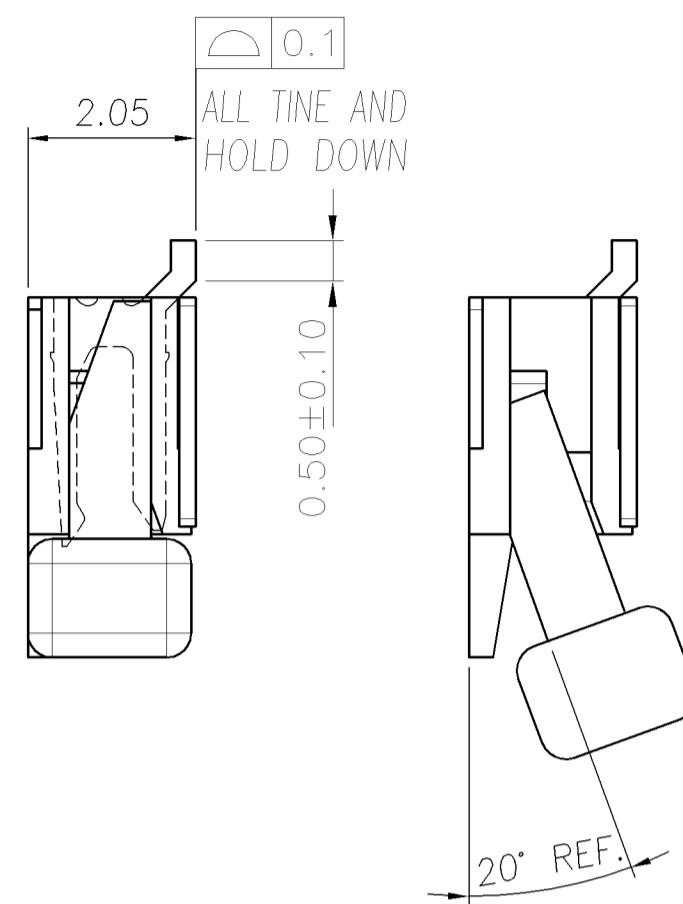
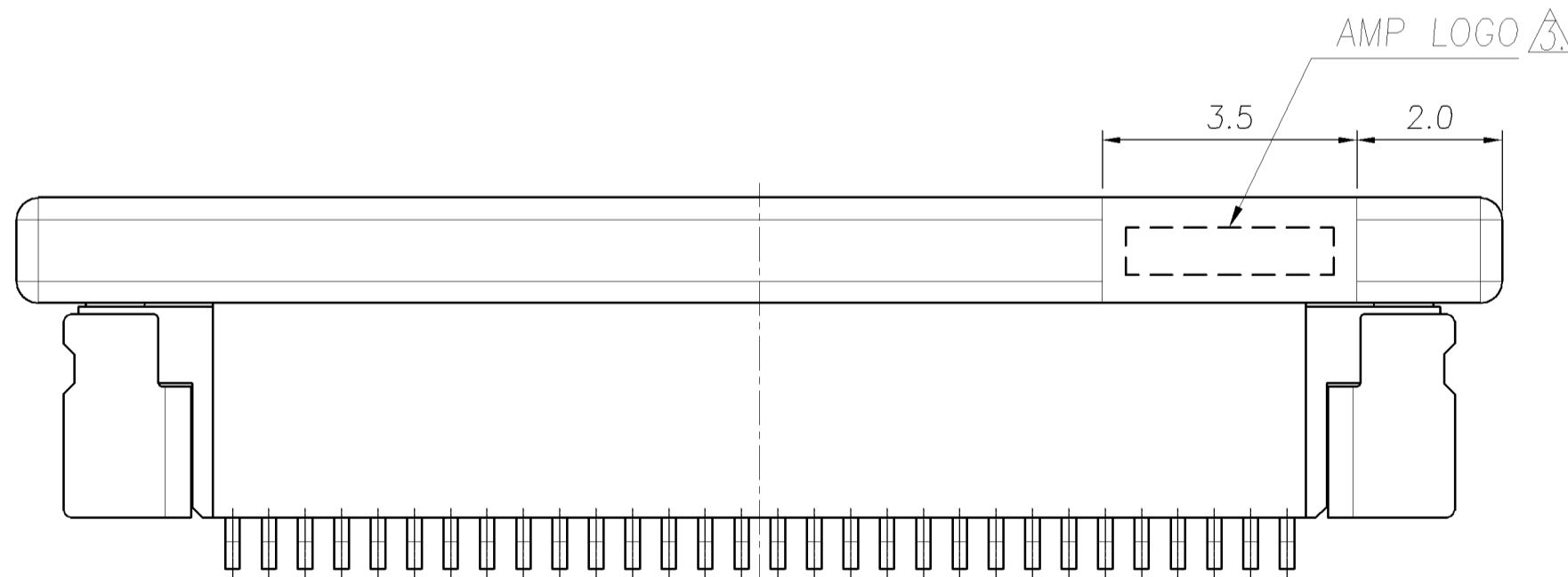
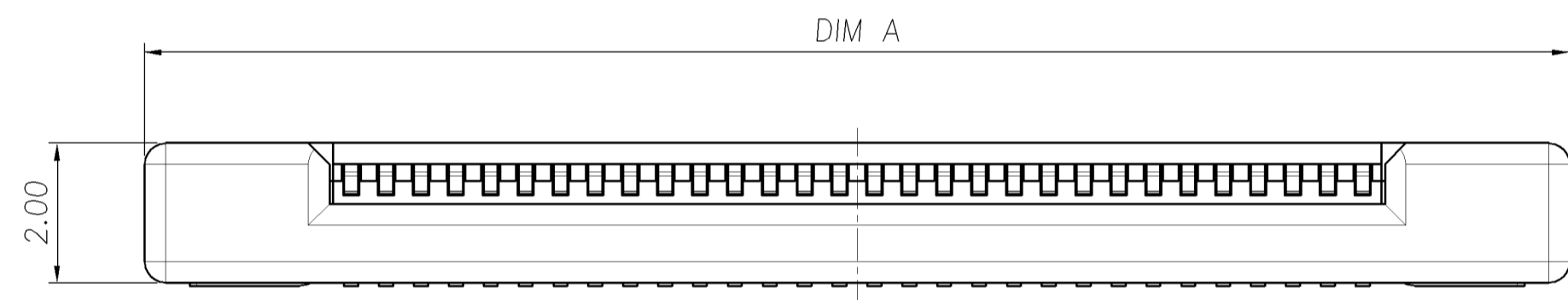
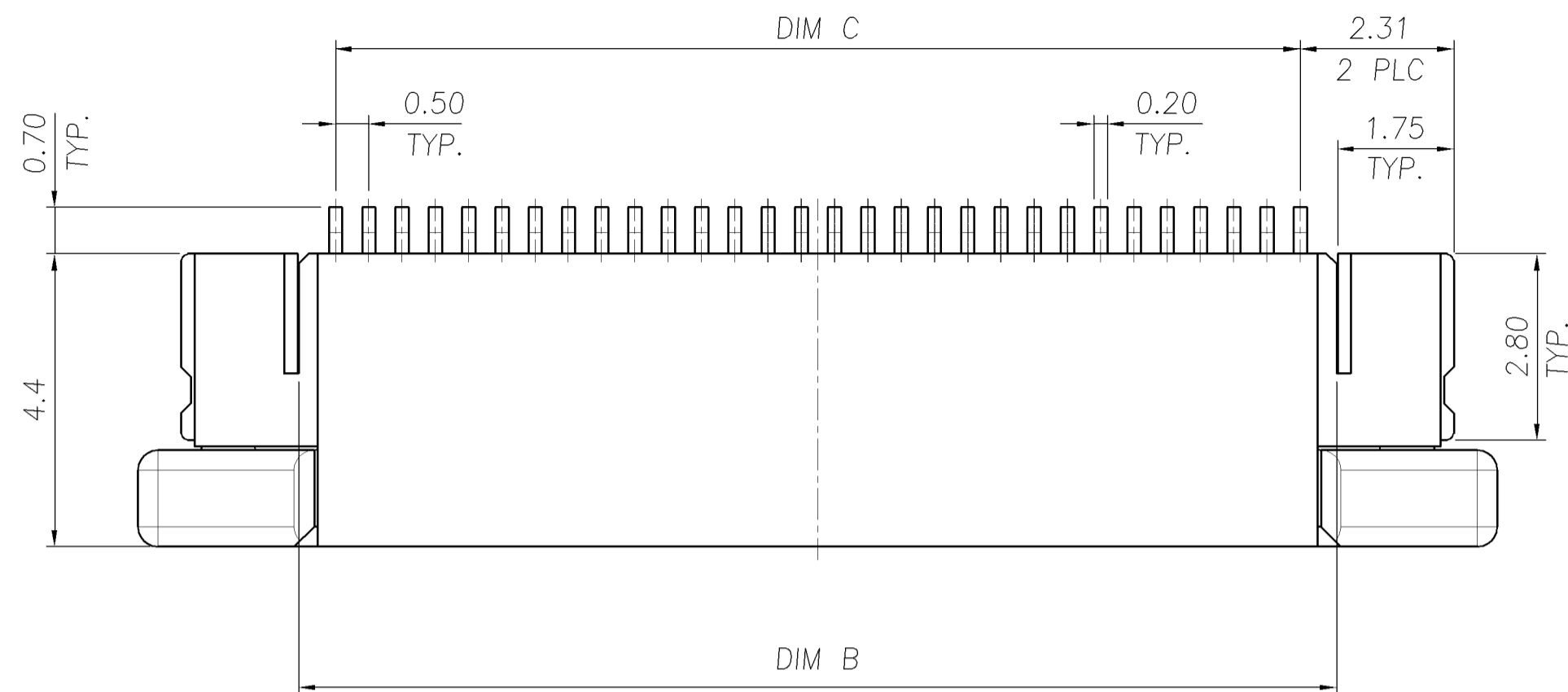
NUMBER
C-1734839



METRIC

THIS INFORMATION IS CONFIDENTIAL AND IS DISCLOSED TO YOU ON CONDITION THAT NO FURTHER DISCLOSURE IS MADE BY YOU TO OTHER THAN AMP PERSONNEL WITHOUT WRITTEN AUTHORIZATION FROM AMP (TAIWAN) LTD. DIMENSIONS IN MILLIMETERS. DO NOT SCALE PRINT.

PRINT
DIST
DW



24.50	25.10	29.93	49	4-1734839-9
23.50	24.60	29.43	48	4-1734839-8
23.00	24.10	28.93	47	4-1734839-7
22.50	23.60	28.43	46	4-1734839-6
22.00	23.10	27.63	45	4-1734839-5
21.50	22.60	27.43	44	4-1734839-4
21.00	22.10	26.93	43	4-1734839-3
20.50	21.60	26.43	42	4-1734839-2
20.00	21.10	25.93	41	4-1734839-1
19.50	20.60	25.43	40	4-1734839-0
19.00	20.10	24.93	39	3-1734839-9
18.50	19.60	24.43	38	3-1734839-8
18.00	19.10	23.93	37	3-1734839-7
17.50	18.60	23.43	36	3-1734839-6
17.00	18.10	22.93	35	3-1734839-5
16.50	17.60	22.43	34	3-1734839-4
16.00	17.10	21.93	33	3-1734839-3
15.50	16.60	21.43	32	3-1734839-2
15.00	16.10	20.93	31	3-1734839-1
14.50	15.60	20.43	30	3-1734839-0
14.00	15.10	19.93	29	2-1734839-9
13.50	14.60	19.43	28	2-1734839-8
13.00	14.10	18.93	27	2-1734839-7
12.50	13.60	18.43	26	2-1734839-6
12.00	13.10	17.93	25	2-1734839-5
11.50	12.60	17.43	24	2-1734839-4
11.00	12.10	16.93	23	2-1734839-3
10.50	11.60	16.43	22	2-1734839-2
10.00	11.10	15.93	21	2-1734839-1
9.50	10.60	15.43	20	2-1734839-0
9.00	10.10	14.93	19	1-1734839-9
8.50	9.60	14.43	18	1-1734839-8
8.00	9.10	13.93	17	1-1734839-7
7.50	8.60	13.43	16	1-1734839-6
7.00	8.10	12.93	15	1-1734839-5
6.50	7.60	12.43	14	1-1734839-4
6.00	7.10	11.93	13	1-1734839-3
5.50	6.60	11.43	12	1-1734839-2
5.00	6.10	10.93	11	1-1734839-1
4.50	5.60	10.43	10	1-1734839-0
4.00	5.10	9.93	09	0-1734839-9
3.50	4.60	9.43	08	0-1734839-8
3.00	4.10	8.93	07	0-1734839-7
2.50	3.60	8.43	06	0-1734839-6
2.00	3.10	7.93	05	0-1734839-5

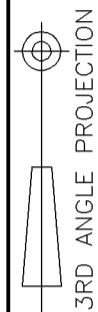
NOTE:

- MATERIAL:
HOUSING: HIGH TEMP. THERMOPLASTIC, UL 94V-0, COLOR: NATURE.
ACTUATOR: THERMOPLASTIC, UL 94 V-0, COLOR: IVORY.
HOLD DOWN: PHOSPHOR BRONZE.
CONTACT: PHOSPHOR BRONZE.
- FINISH:
CONTACT: GOLD FLASH OVER ALL
50" MIN. NICKEL UNDERPLATED.
HOLD DOWN: 100u" MIN. TIM PLATING ON SOLDER AREA,
50u" MIN. NICKEL UNDERPLATED ALL OVER.
△ WITHOUT AMP LOGO FOR 12 POSITION UNDER.

A	REVISED	ECR-06-019347	HH	SH	11AUG 2006
O	RELEASED	FZ00-0256-04	QL	SH	25NOV 2004
LTR	REVISION RECORD	ECN	DWN	CHK	DATE

TOLERANCES UNLESS OTHERWISE SPECIFIED: 0 PLC ±0.1 1 PLC ±0.1 2 PLC ±0.1 3 PLC ±0.1 ANGLES ±1'		DWN	H. HUANG 11-AUG-2006	TYCO HOLDINGS (BERMUDA) VII LTD. TAIWAN BRANCH NAME
MATERIAL SEE NOTE		CHK	S. HOU 11-AUG-2006	
FINISH SEE NOTE		APVD	W.J. KE 11-AUG-2006	FPC CONNECTOR, 0.5mm PITCH, TOP CONTACT, SMT TYPE.
		PRODUCT SPEC	108-57523	LOC DW
		QUALIFICATION TEST REPORT	501-57598	SIZE A ₃
		WEIGHT	2.87.g	DRAWING NO C-1734839
				REV A
				SCALE --
				SHEET 1 OF 3

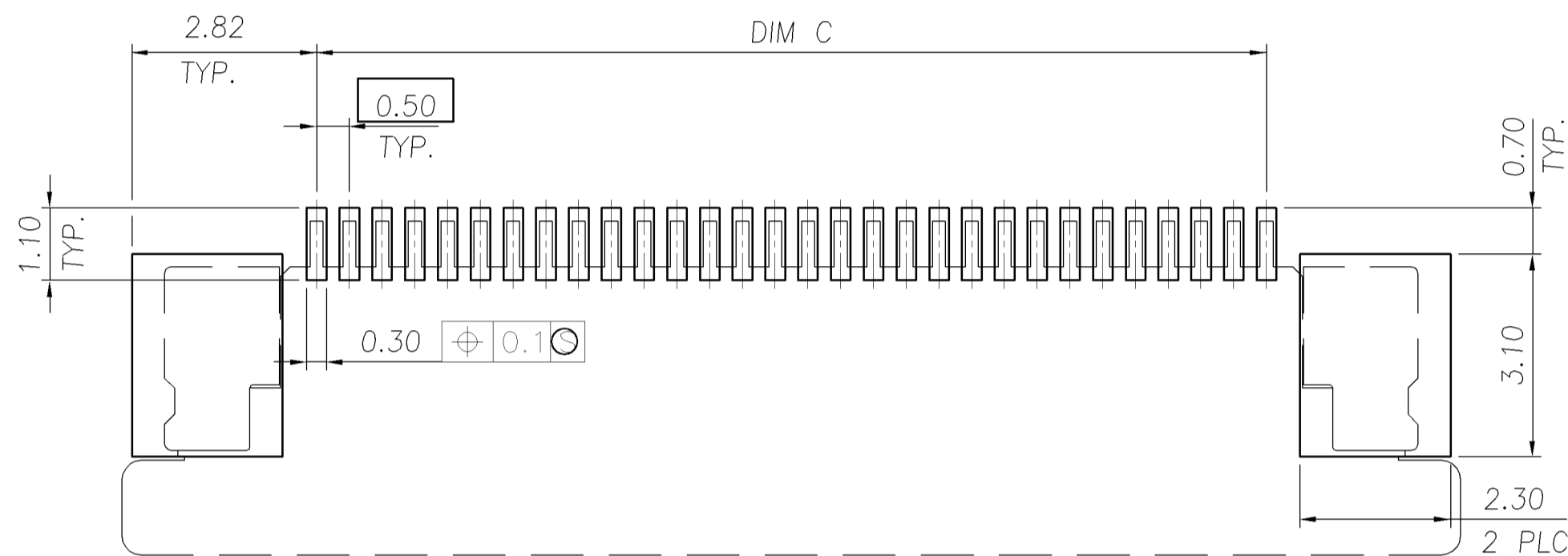
NUMBER
C-1734839



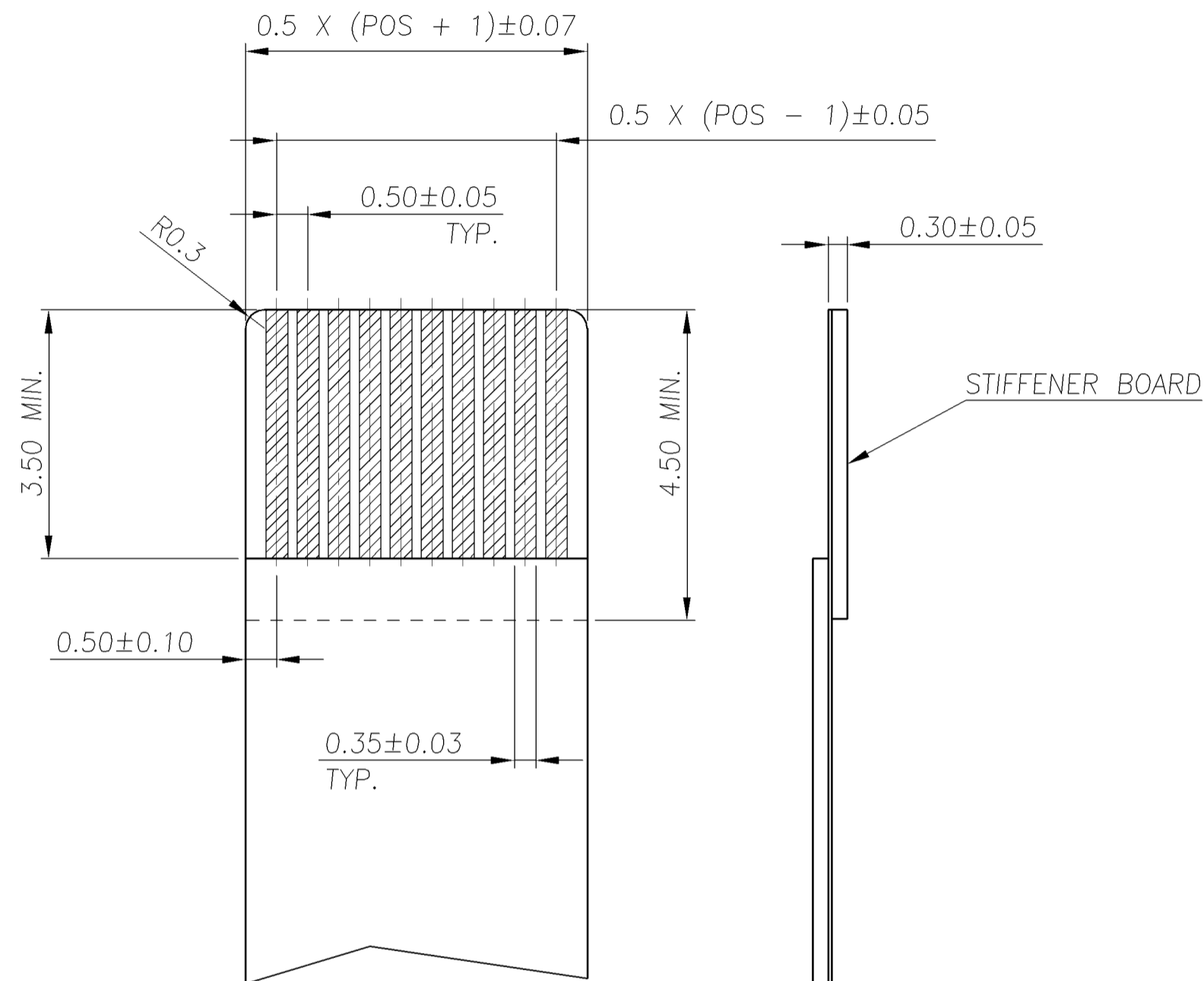
METRIC

THIS INFORMATION IS CONFIDENTIAL AND IS DISCLOSED TO YOU ON CONDITION THAT NO FURTHER DISCLOSURE IS MADE BY YOU TO OTHER THAN AMP PERSONNEL WITHOUT WRITTEN AUTHORIZATION FROM AMP (TAIWAN) LTD. DIMENSIONS IN MILLIMETERS. DO NOT SCALE PRINT.

PRINT DIST
DW



RECOMMENDED PCB DIMENSIONS DIAGRAM



RECOMMENDED FPC DIMENSIONS DIAGRAM

LTR	SEE SHEET 1.	ECN	DWN	CHK	DATE
	REVISION RECORD				

TOLERANCES UNLESS OTHERWISE SPECIFIED: 0 PLC ±0.1 1 PLC ±0.1 2 PLC ±0.1 3 PLC ±0.1 ANGLES ±1'		DWN H. HUANG 11-AUG-2006	TYCO HOLDINGS (BERMUDA) VII LTD. TAIWAN BRANCH 		
MATERIAL SEE NOTE		CHK S. HOU 11-AUG-2006			
FINISH SEE NOTE		APVD W.J. KE 11-AUG-2006	NAME FPC CONNECTOR, 0.5mm PITCH, TOP CONTACT, SMT TYPE.		
		PRODUCT SPEC	LOC DW	SIZE C-1734839	REV A
		APPLICATION SPEC	SCALE --		SHEET 2 OF 3
		WEIGHT	CUSTOMER DRAWING		

8

7

6

5

4

3

2

1

CUSTOMER DRAWING

D

C

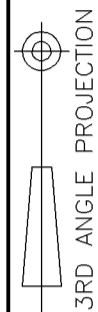
B

A

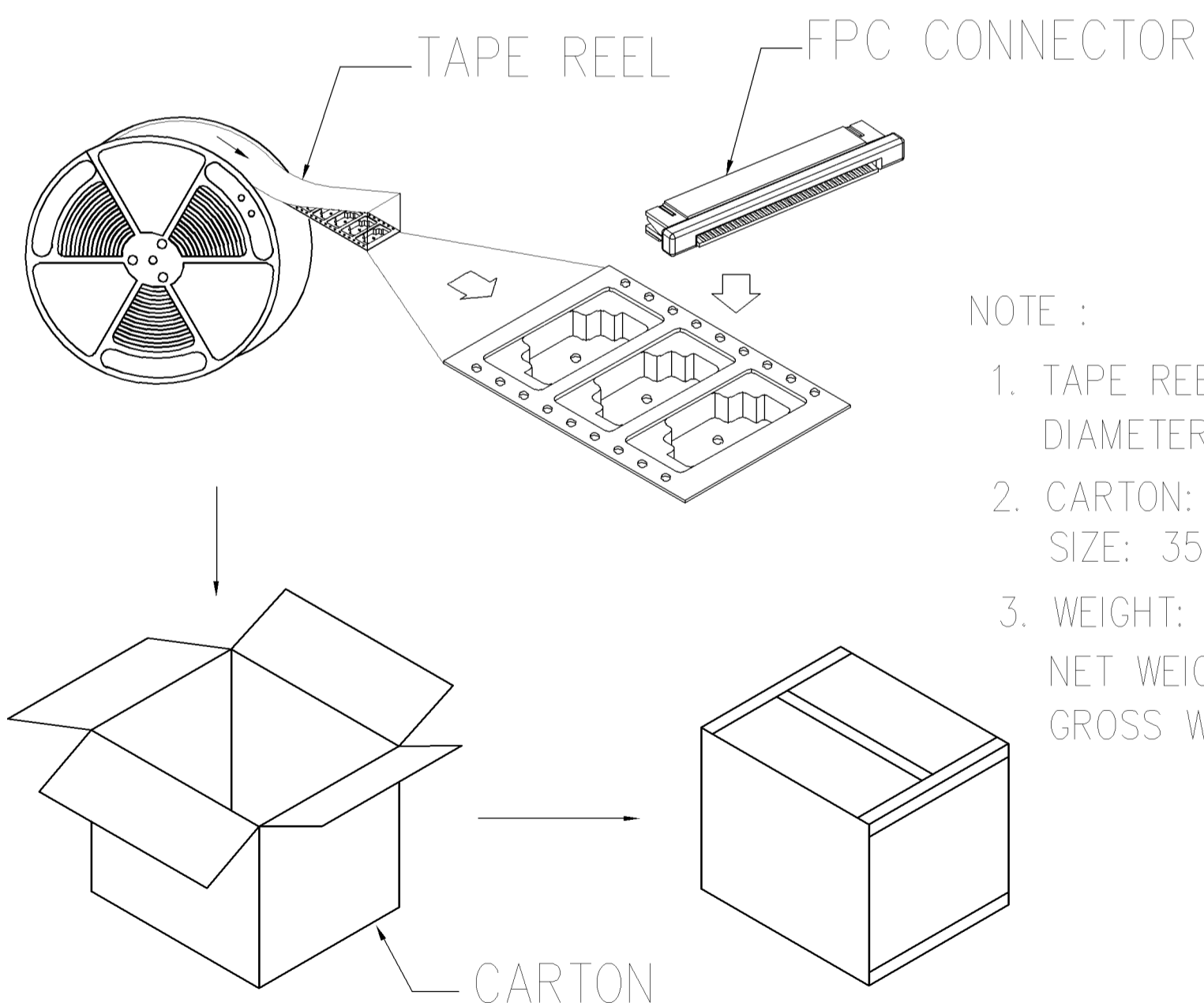
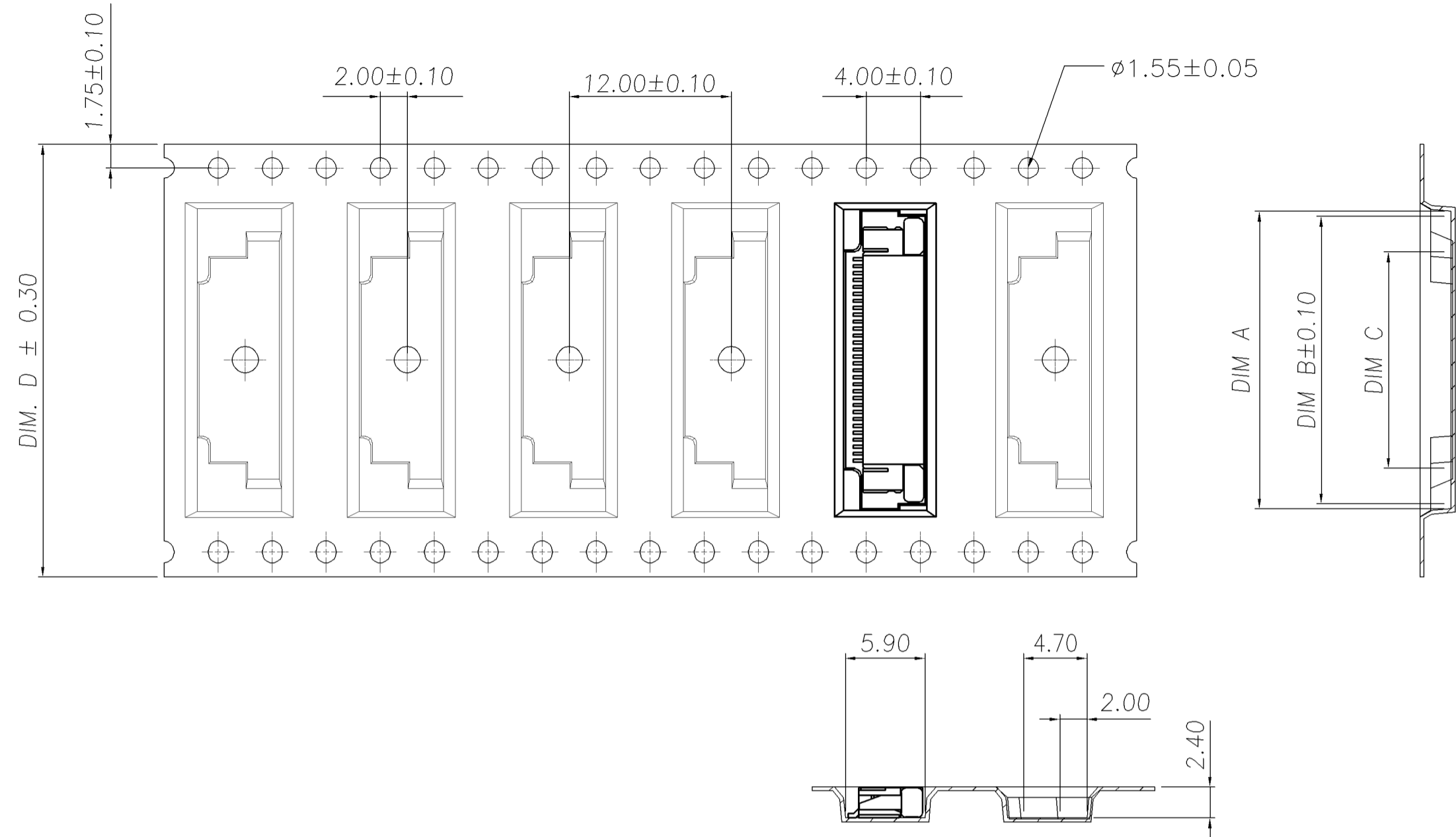
THIS INFORMATION IS CONFIDENTIAL AND IS DISCLOSED TO YOU ON CONDITION THAT NO FURTHER DISCLOSURE IS MADE BY YOU TO OTHER THAN AMP PERSONNEL WITHOUT WRITTEN AUTHORIZATION FROM AMP (TAIWAN) LTD. DIMENSIONS IN MILLIMETERS. DO NOT SCALE PRINT.

PRINT DIST
DW

METRIC



NUMBER
C-1734839



NOTE :

- TAPE REEL:
DIAMETER: 13", THICKNESS : 0.35±0.05mm.
- CARTON:
SIZE: 350mm(L)X 350mm(W)X 340mm(H).
- WEIGHT:
NET WEIGHT: 7.5kg
GROSS WEIGHT: 13.4kg

12000	2000	44.00	25.50	30.75	31.50	50	5-1734839-0
		44.00	25.00	30.25	31.00	49	4-1734839-9
		44.00	24.50	29.75	30.50	48	4-1734839-8
		44.00	24.00	29.25	30.00	47	4-1734839-7
		44.00	23.50	28.75	29.50	46	4-1734839-6
		44.00	23.00	28.25	29.00	45	4-1734839-5
		44.00	22.50	27.75	28.50	44	4-1734839-4
		44.00	22.00	27.25	28.00	43	4-1734839-3
		44.00	21.50	26.75	27.50	42	4-1734839-2
		44.00	21.00	26.25	27.00	41	4-1734839-1
		44.00	20.50	25.75	26.50	40	4-1734839-0
		44.00	20.00	25.25	26.00	39	3-1734839-9
16000	2000	44.00	19.50	24.75	25.50	38	3-1734839-8
		44.00	19.00	24.25	25.00	37	3-1734839-7
		44.00	18.50	23.75	24.50	36	3-1734839-6
		44.00	18.00	23.25	24.00	35	3-1734839-5
		44.00	17.50	22.75	23.50	34	3-1734839-4
		44.00	17.00	22.25	23.00	33	3-1734839-3
		44.00	16.50	21.75	22.50	32	3-1734839-2
		32.00	16.00	21.25	22.00	31	3-1734839-1
		32.00	15.50	20.75	21.50	30	3-1734839-0
		32.00	15.00	20.25	21.00	29	2-1734839-9
		32.00	14.50	19.75	20.50	28	2-1734839-8
		32.00	14.00	19.25	20.00	27	2-1734839-7
20000	2000	32.00	13.50	18.75	19.50	26	2-1734839-6
		32.00	13.00	18.25	19.00	25	2-1734839-5
		32.00	12.50	17.75	18.50	24	2-1734839-4
		32.00	12.00	17.25	18.00	23	2-1734839-3
		32.00	11.50	16.75	17.50	22	2-1734839-2
		24.00	11.00	16.25	17.00	21	2-1734839-1
		24.00	10.50	15.75	16.50	20	2-1734839-0
		24.00	10.00	15.25	16.00	19	1-1734839-9
		24.00	9.50	14.75	15.50	18	1-1734839-8
		24.00	9.00	14.25	15.00	17	1-1734839-7
		24.00	8.50	13.75	14.50	16	1-1734839-6
		24.00	8.00	13.25	14.00	15	1-1734839-5
24000	2000	24.00	7.50	12.75	13.50	14	1-1734839-4
		24.00	7.00	12.25	13.00	13	1-1734839-3
		24.00	6.50	11.75	12.50	12	1-1734839-2
		24.00	6.00	11.25	12.00	11	1-1734839-1
		24.00	5.50	10.75	11.50	10	1-1734839-0
		24.00	5.00	10.25	11.00	09	0-1734839-9
		24.00	4.50	9.75	10.50	08	0-1734839-8
		24.00	4.00	9.25	10.00	07	0-1734839-7
		24.00	3.50	8.75	9.50	06	0-1734839-6
		16.00	3.00	8.25	9.00	05	0-1734839-5

APQ (PCS/CARTON)	PPQ (PCS/REEL)	D	C	B	A	POS.	PART NUMBER
DIMENSIONS							
TOLERANCES UNLESS OTHERWISE SPECIFIED:		DWN		H. HUANG		tyco	
0 PLC ±0.1		11-AUG-2006		S. HOU		TYCO HOLDINGS (BERMUDA) VII LTD. TAIWAN BRANCH	
1 PLC ±0.1		11-AUG-2006		W.J. KE		Electronics	
2 PLC ±0.1		11-AUG-2006		11-AUG-2006		NAME	
3 PLC ±0.1		11-AUG-2006		11-AUG-2006		FPC CONNECTOR, 0.5mm PITCH, TOP CONTACT, SMT TYPE.	
ANGLES ±1'		11-AUG-2006		11-AUG-2006		LOC	
MATERIAL		APVD		W.J. KE		SIZE	
SEE NOTE		11-AUG-2006		11-AUG-2006		DRAWING NO	
FINISH		11-AUG-2006		11-AUG-2006		C-1734839	
SEE NOTE		11-AUG-2006		11-AUG-2006		REV	
APPLICATION SPEC		11-AUG-2006		11-AUG-2006		A	
WEIGHT		11-AUG-2006		11-AUG-2006		SCALE	
		11-AUG-2006		11-AUG-2006		SHEET	
		11-AUG-2006		11-AUG-2006		3 OF 3	

SEE SHEET 1.	ECN	DWN	CHK	DATE
LTR	REVISION RECORD	ECN	DWN	CHK