

Distributed by:

JAMECO[®]
ELECTRONICS

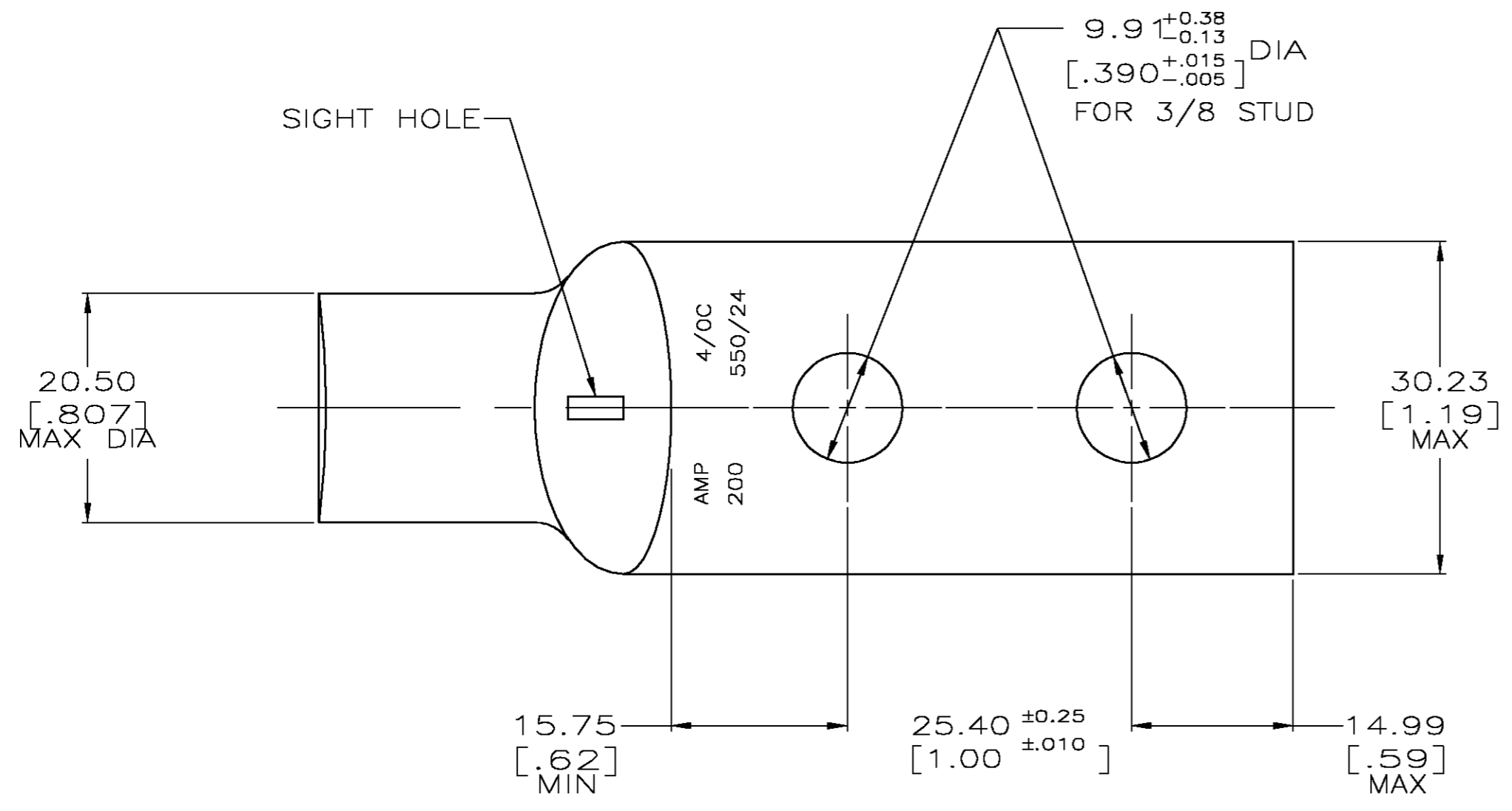
www.Jameco.com ♦ 1-800-831-4242

The content and copyrights of the attached
material are the property of its owner.

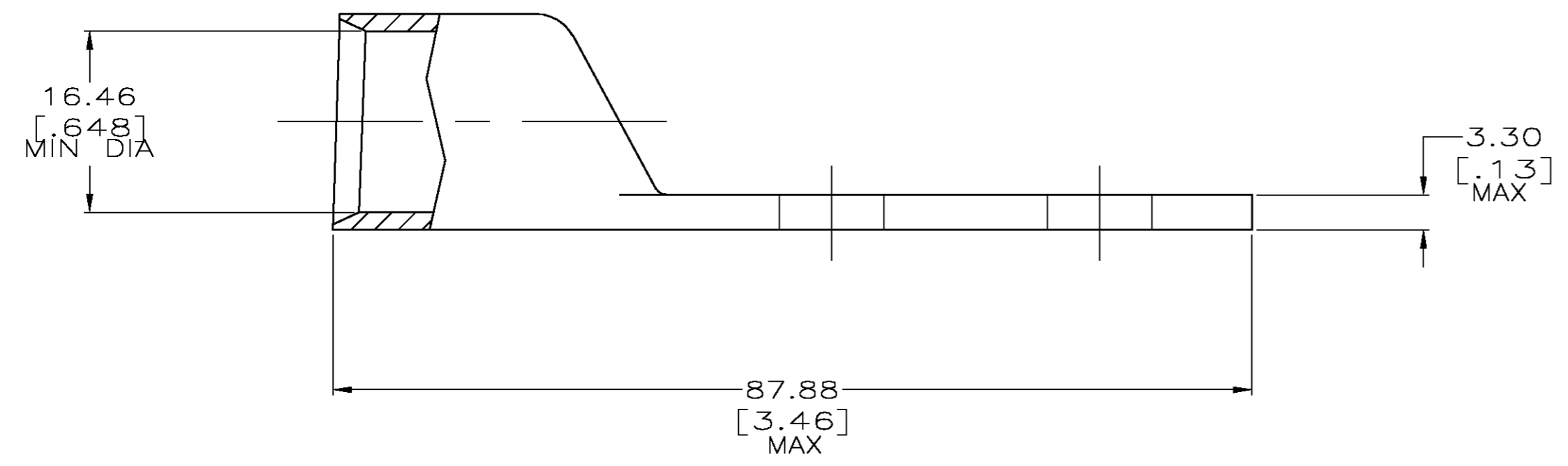
Jameco Part Number 939641

THIS DRAWING IS UNPUBLISHED. RELEASED FOR PUBLICATION
 © COPYRIGHT BY TYCO ELECTRONICS CORPORATION. ALL RIGHTS RESERVED.

LOC	DIST	REVISIONS					
G	86	P	LTR	DESCRIPTION	DATE	DWN	APVD
		Y		REV PER 0G3A-0723-03	12NOV03	jr	MS



- 1 CIRCULAR MIL RANGE: 190,000-231,000 CM
- 2 TIN PLATE 0.00381 [.000150] MIN THK PER ASTM B545
- 3 CLEANED, UNPLATED
- 4 COPPER PER ASTM B-75, ANNEALED



3	326803-5
2	326803
FINISH	PART NO

THIS DRAWING IS A CONTROLLED DOCUMENT.		DWN DK SCHRUM 02/28/90	Tyco Electronics Corporation Harrisburg, PA 17105	
DIMENSIONS: INCHES		CHK AJ KAUFMAN 6/10/92	NAME J MECKLEY	
TOLERANCES UNLESS OTHERWISE SPECIFIED:		APVD J MECKLEY 6/10/92	PRODUCT SPEC	
0 PLC ± -	1 PLC ± -	APPLICATION SPEC		
2 PLC ± -	3 PLC ± -	-		
4 PLC ± -	ANGLES ± -	-		
MATERIAL - 4	FINISH SEE TABLE	WEIGHT .142 LBS	SIZE A2	CAGE CODE 00779
		CUSTOMER DRAWING	DRAWING NO C=326803	RESTRICTED TO -
		SCALE 2:1	SHEET 1 OF 1	REV Y