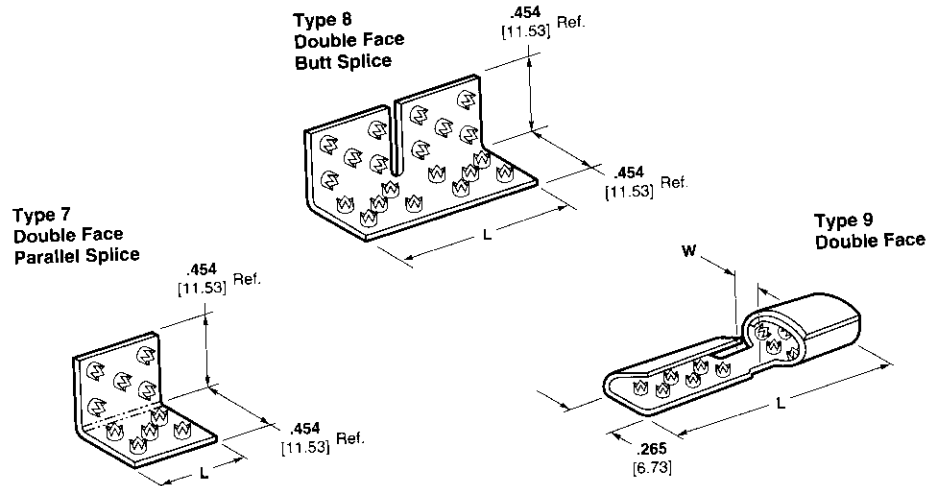


### Splices

**.030 [0.76] Max.  
Aluminum Foil Thickness**  
Related Product Data:  
Application Tooling — page 9  
Technical Documents — page 1

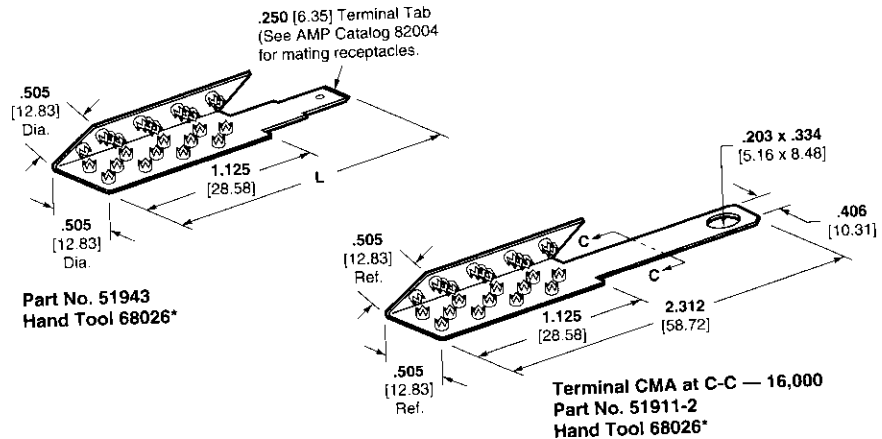


Wire Range	Material and Finish	Type	Dimensions		Part Number	Foil Crimp Tooling	
			W	L		Hand Tool	Dies for Pneu. Tool 69010 with 69263-1
Current Carrying Capacity Equal to 10 AWG [5-6 mm <sup>2</sup> ]	Tin Plated Copper	7	—	.408 10.36	329656	68026*	69177-1
		8	—	.932 23.67	329657		
		9	.170 4.32	1.012 25.7	1-332006-0		
		9	.340 8.64	1.012 25.7	1-332006-2		
	Nickel Plated Copper	7	—	.408 10.36	1-329656-1		

\*For heavy duty, use tool 68064.

### End Tap Terminals Double Face

**.030 [0.76] Max.  
Aluminum Foil Thickness**  
Material and Finish:  
Copper tin-plated (Unannealed)  
Related Product Data:  
Application Tooling — page 9  
Technical Documents — page 1



\*For heavy duty, use tool 68064.

For drawings, technical data or samples, contact your AMP sales engineer or call the AMP Product Information Center 1-800-522-6752.

Dimensions are in inches and millimeters unless otherwise specified. Values in brackets are metric equivalents. Chart dimensions are inches over millimeters.

Specifications subject to change. Values in brackets are metric equivalents. Consult AMP incorporated for latest specifications.