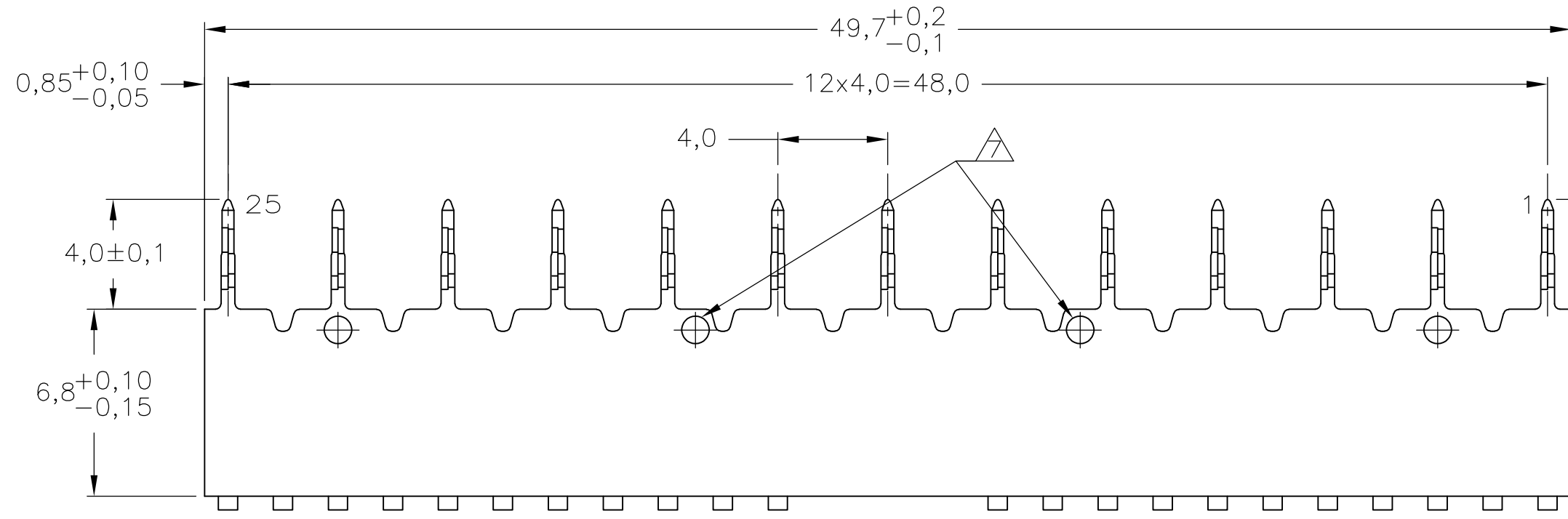
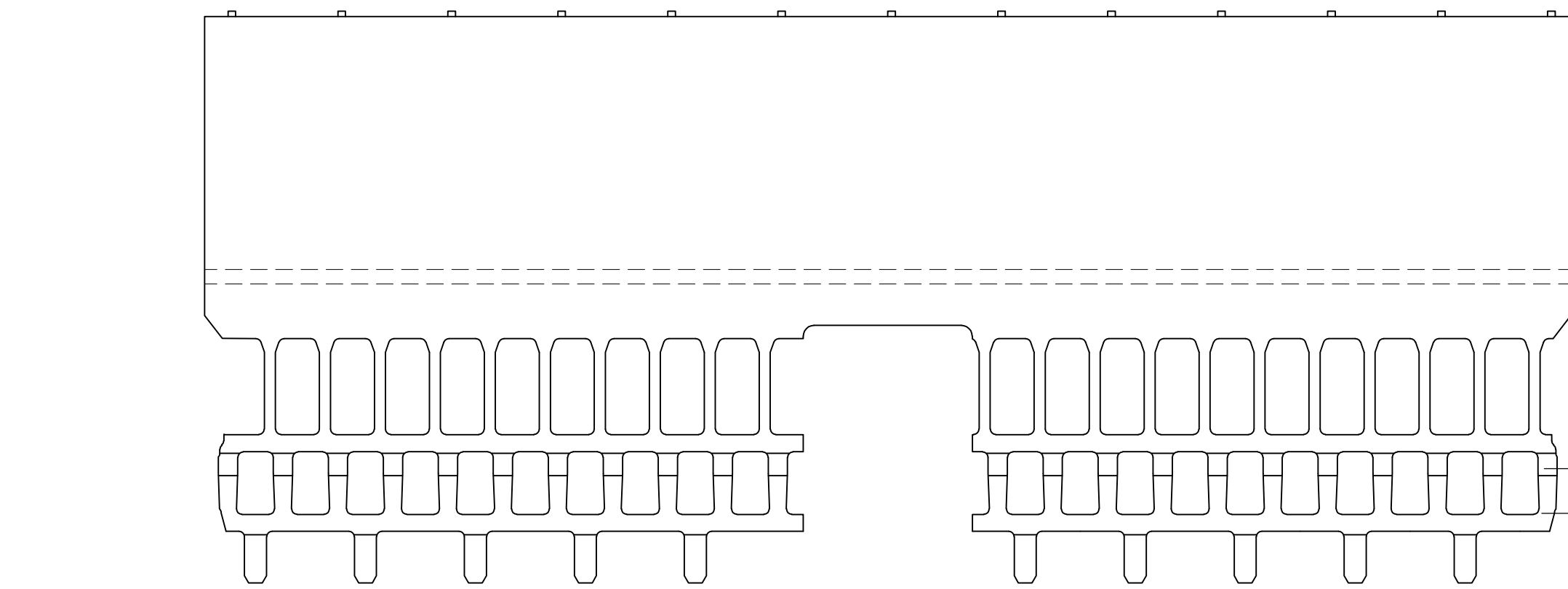


THIS DRAWING IS UNPUBLISHED. RELEASED FOR PUBLICATION
 © COPYRIGHT BY TYCO ELECTRONICS CORPORATION. ALL RIGHTS RESERVED.

LOC	DIST	REVISIONS					
ES	-	P	LTR	DESCRIPTION	DATE	DWN	APVD
		F2		REVISED PER ECR09-012790	08JUN09	K.L.	S.Y.
		F3		REV PER ECO-09-021826	05SEP09	KK	AEG
		G		ECR-10-019054	15SEP10	DP	MQW



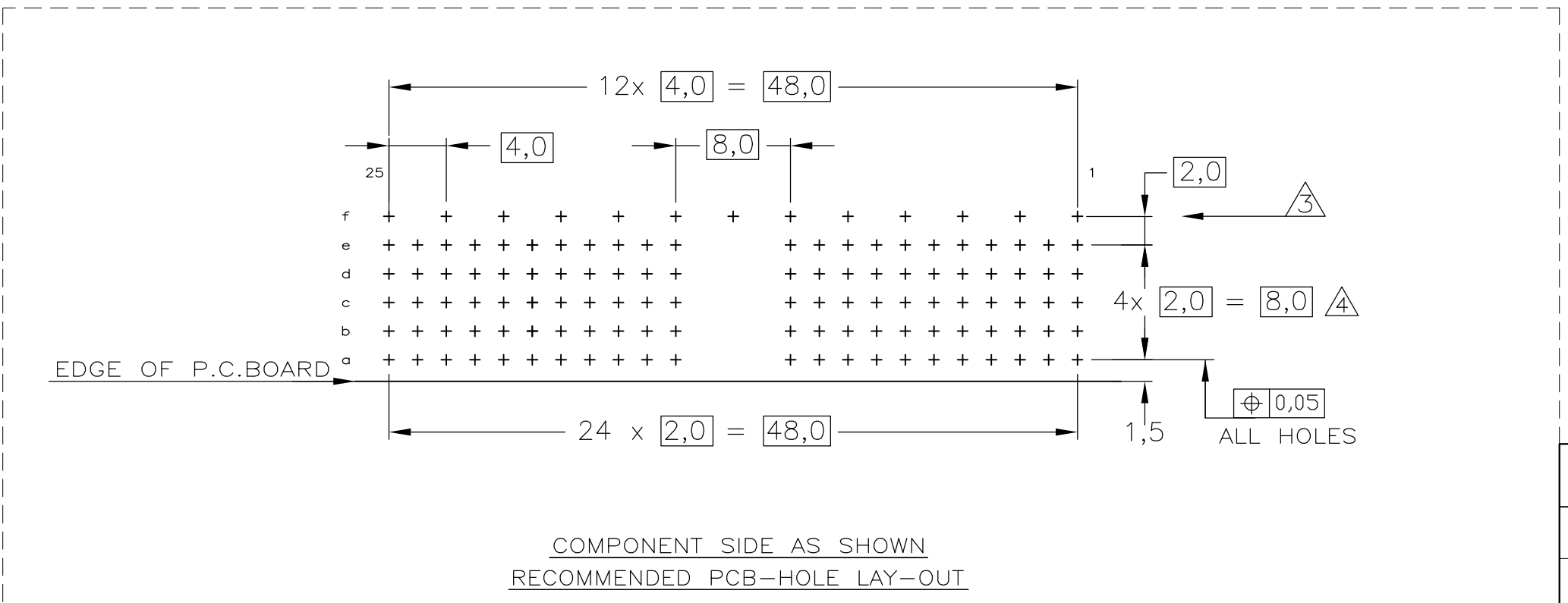
ACTION PIN AREA



CONTACT AREA

15,7 MIN.

- NOTES:
- 1 PLATING:
CONTACT AREA : 0.76um Au. MIN. OVER 1.27um Ni MIN.
ACTION PIN : 0.5um SnPb MIN.
REMAINDER : Ni
 - 2 MATERIAL; PHOSPHOR BRONZE.
 - 3 ROW "f" 13 PLATED THROUGH HOLES FOR UPPERSHIELD
 - 4 HOLE PATTERN FOR FEMALE CONNECTOR TYPE A
110 PLATED-THROUGH HOLES AT 2x2mm SQUARE GRID.
 - 5 SHIELD LUBRICATED WITH BELLCORE APPROVED LUBRICANT.
TECHNICAL REF: TR-NWT-001217 ISSUE 1, SEPT. 1992.
 - 6 PLATING:
CONTACT AREA : 0.76um Au. MIN. OVER 1.27um Ni MIN.
ACTION PIN : 0.5um SnPb MIN. ASTM B579 60/40
REMAINDER : Ni
 - 7 OPTIONAL DIMPLES AT DISCRETION OF DIE ENGINEER.
 - 8 OBSOLETE PARTS: OBSOLETE CIS STREAMLINING PER D.RENAUD/D.SINISI



COMPONENT SIDE AS SHOWN
RECOMMENDED PCB-HOLE LAY-OUT

P.C.B. HOLE DIM. ACTION PIN
FOR DETAILS SEE APPLICATION SPECIFICATION

8 OBSOLETE	6, 5	2	9-338107-1
	1, 5	2	-338107-9-
	1	2	338107-2
	FINISH	MATERIAL	PARTNUMBER

THIS DRAWING IS A CONTROLLED DOCUMENT.		DWN D. TRUREN 28-11-96	Tyco Electronics Corporation Tyco Electronics Corporation 's-Hertogenbosch,5222AR-32	
DIMENSIONS: mm		CHK W/ v.d.HEIJDEN 28-11-96	NAME F. v.KONINGSBRUGGE	
TOLERANCES UNLESS OTHERWISE SPECIFIED: ±0.2		APVD - PRODUCT SPEC	APPLICATION SPEC 108-19082	
MATERIAL -		FINISH -	SIZE A2	CAGE CODE 00779
		APPLICATION SPEC 114-19029	DRAWING NO C=338107	RESTRICTED TO -
		WEIGHT -	SCALE 5:1	SHEET 1 OF 1
		CUSTOMER DRAWING	REV G	