

Distributed by:

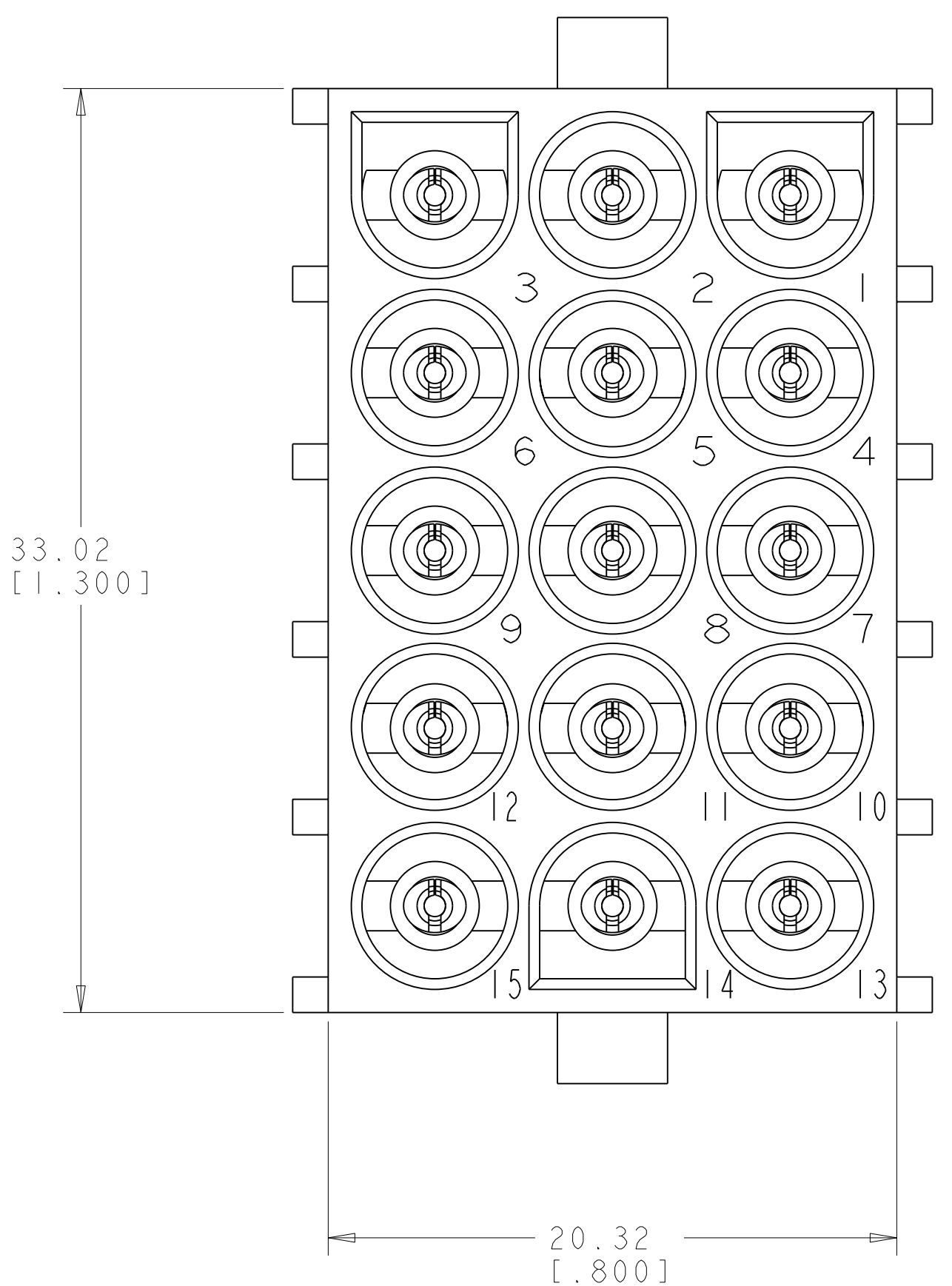
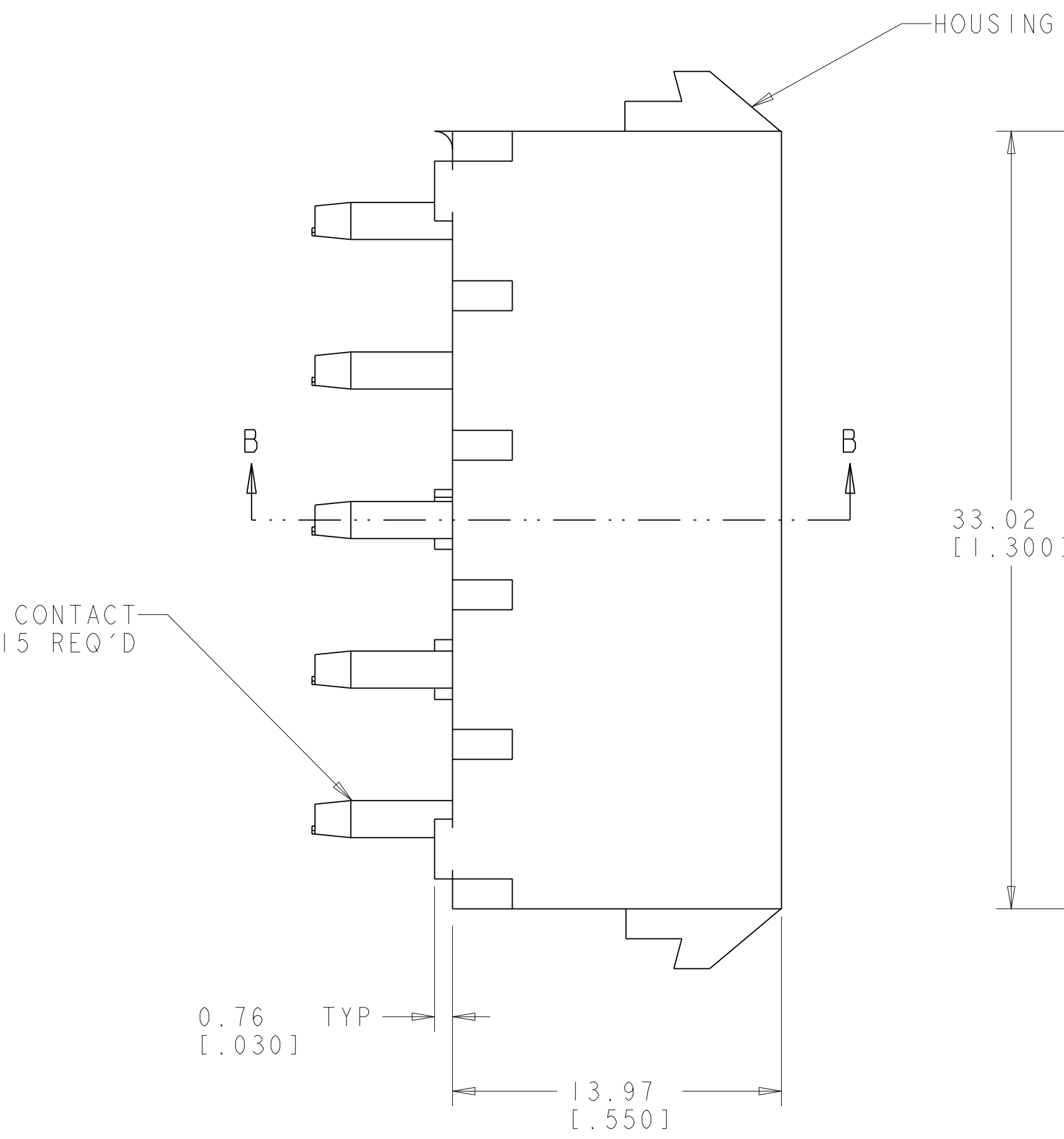
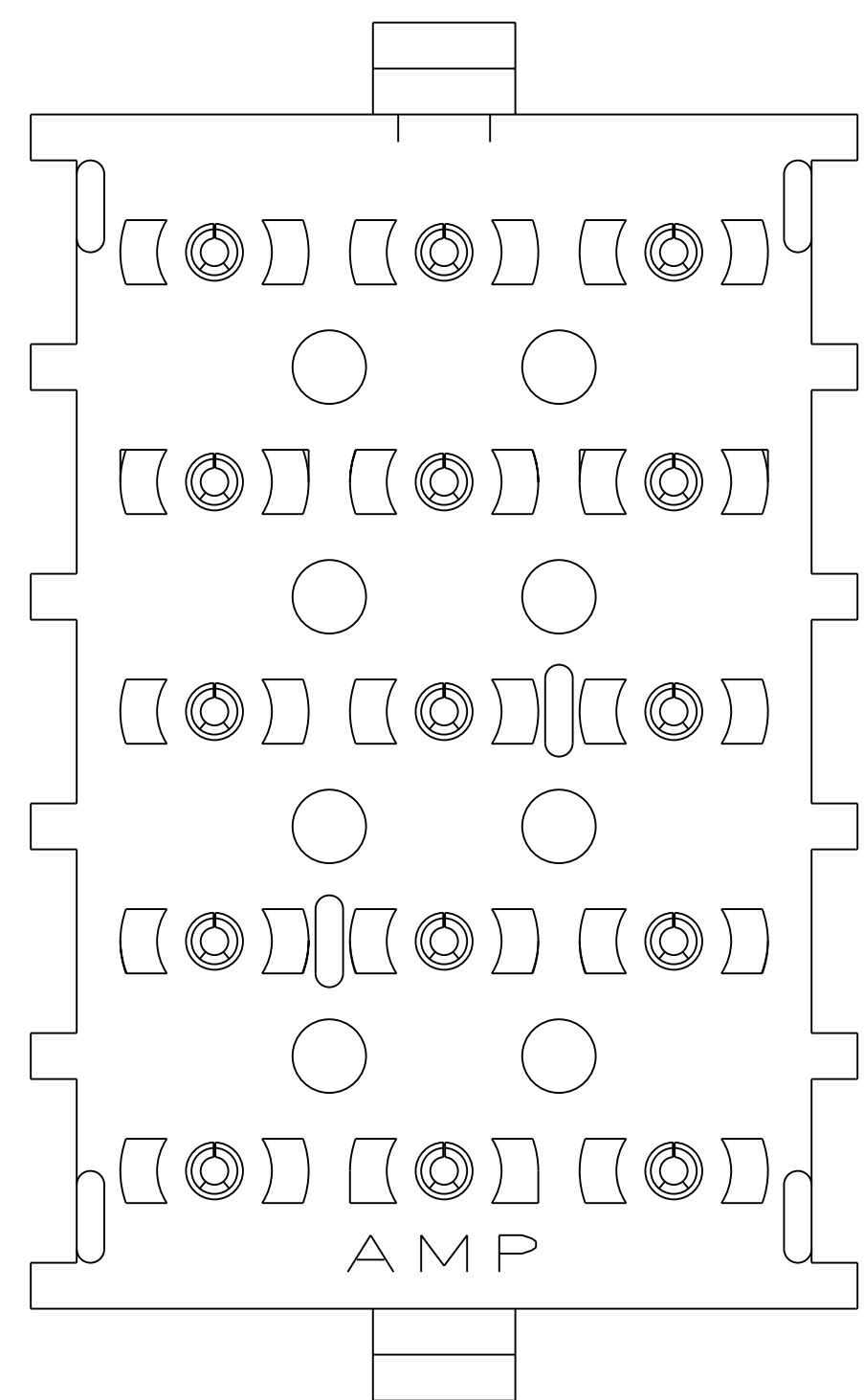
JAMECO[®]
ELECTRONICS

www.Jameco.com ♦ 1-800-831-4242

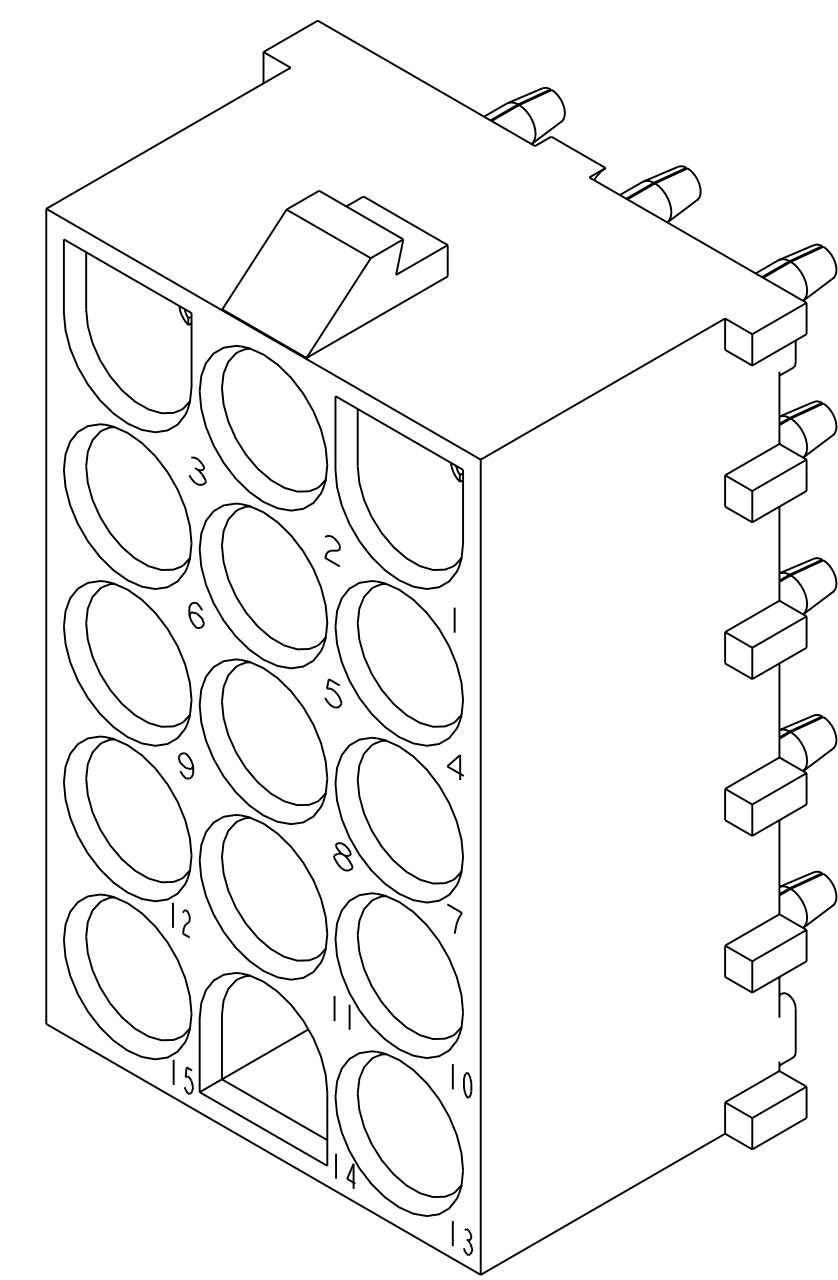
The content and copyrights of the attached
material are the property of its owner.

Jameco Part Number 751939

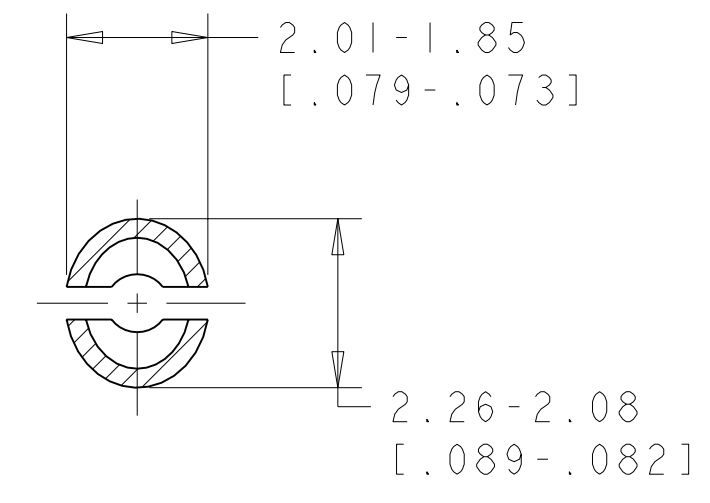
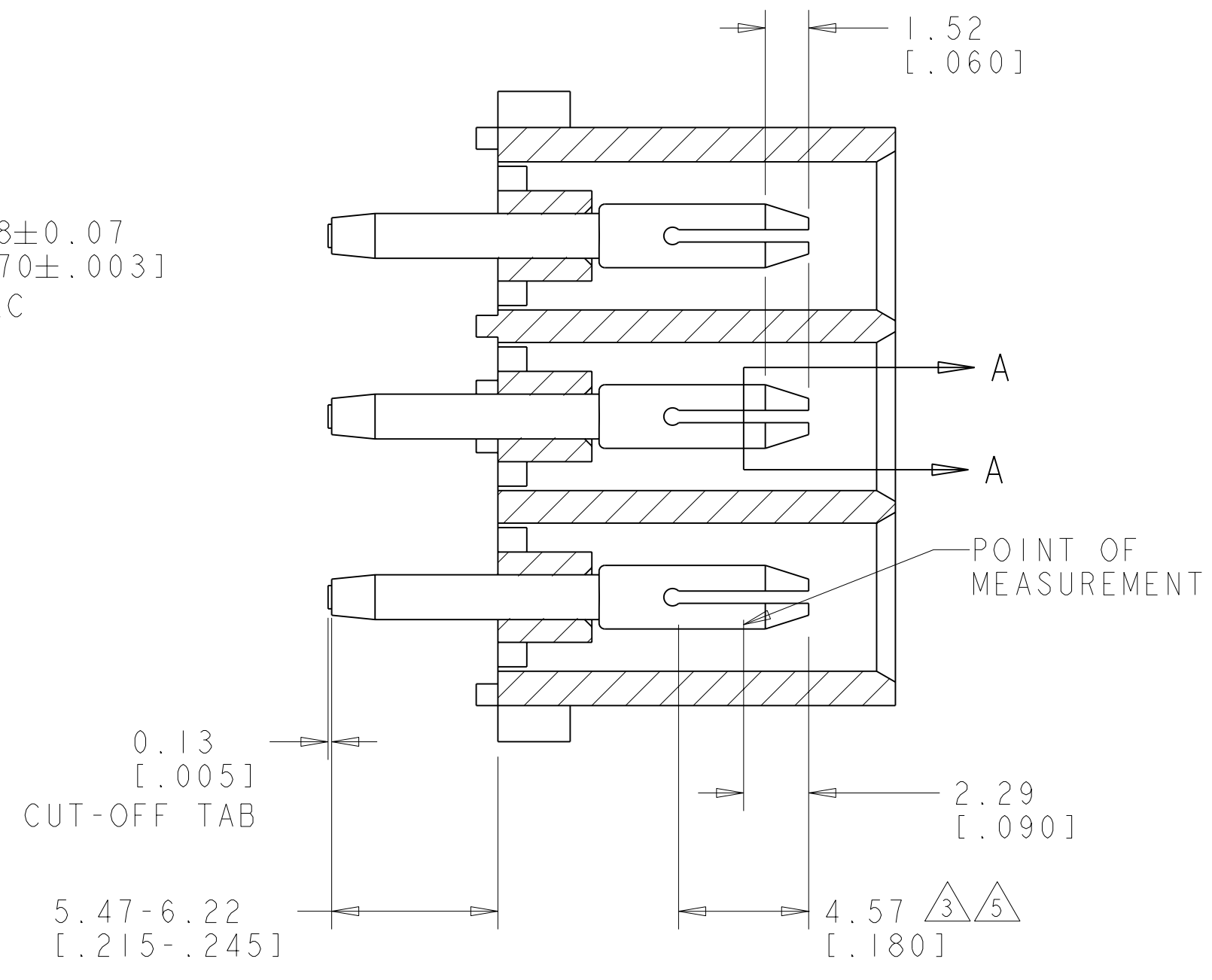
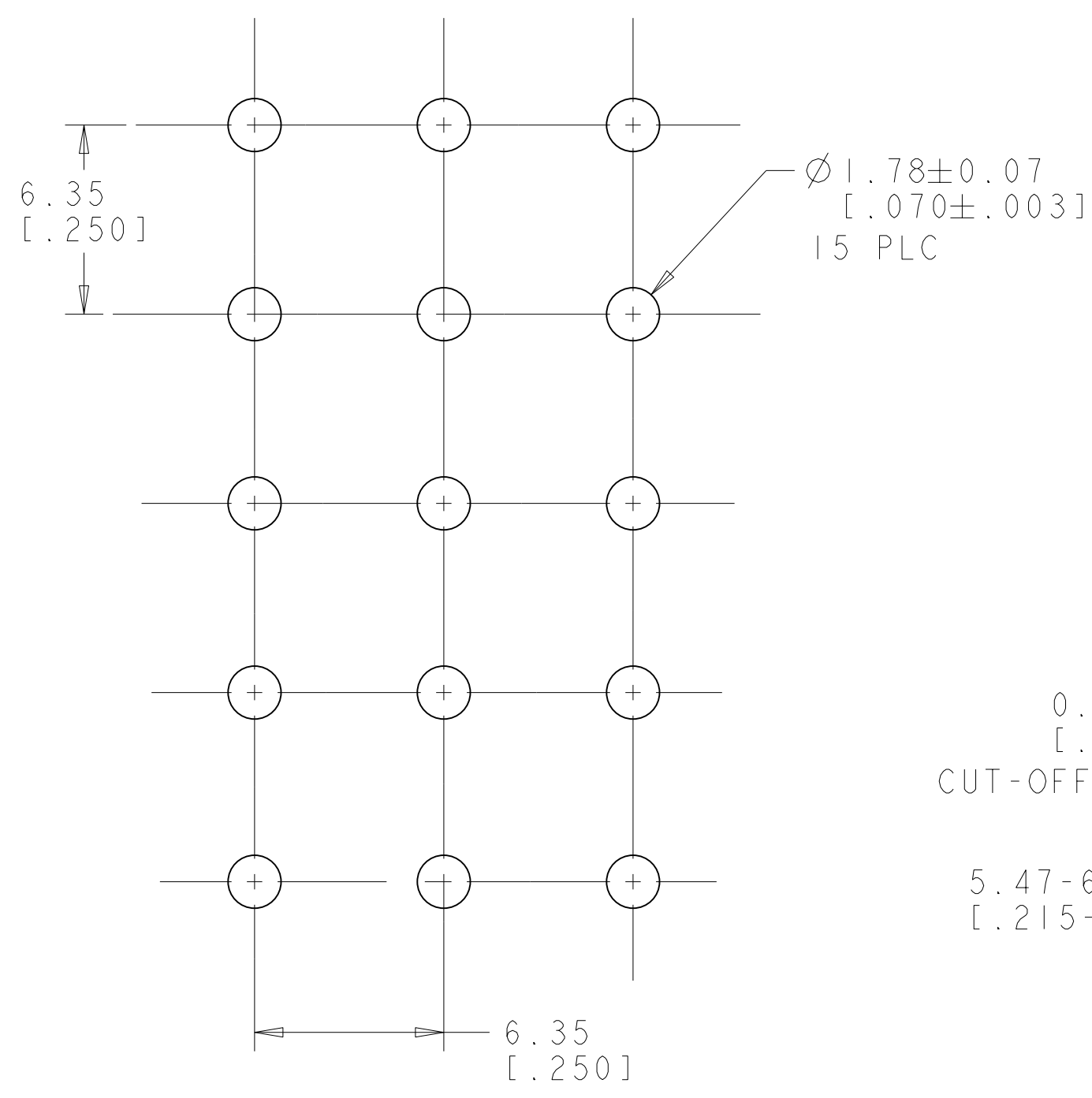
LOC		DIST		REVISIONS				
F	REV	DESCRIPTION	DATE	DWN	APVD			
R		REVISED PER 0G3B-1100-04	07SEP05	KW	SR			



- MATES WITH HOUSING 480711.
- PARTS COMPLY TO AMP SOLDERABILITY SPECIFICATION 109-11-3.
- CONTACT IS PLATED OVERALL WITH 0.00127 [0.00050] NICKEL, THEN 0.00076 [0.00030] GOLD OVER CONTACT LENGTH INDICATED AND TIN LEAD ON SOLDER TAIL END.
- CIRCUIT IDENTIFICATION CHARACTERS ARE ADJACENT TO THE INDICATED CAVITIES, BUT LOCATION AND ORIENTATION MAY DIFFER FROM PRINT.
- CONTACT IS PLATED OVERALL WITH 0.00127 [0.00050] NICKEL, THEN 0.00076 [0.00030] GOLD OVER CONTACT LENGTH INDICATED AND MATTE TIN ON SOLDER TAIL END.
- DIMENSIONS IN BRACKETS ARE IN INCHES.



3 DIMENSIONAL MODEL
SCALE 4:1

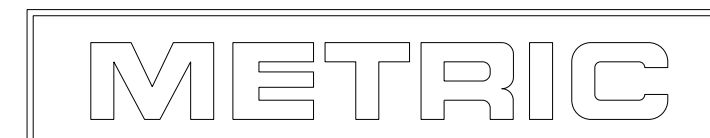


SECTION A-A
SCALE 10:1

SECTION B-B

RECOMMENDED MOUNTING HOLE PATTERN FOR 1.57 [0.062] THICK P.C. BOARD HOLE THAT CORRESPONDS TO REMOVED CONTACT CAN BE OMITTED

PHOSPOR BRONZE, GOLD $\Delta 5$	NYLON, UL94V-2, NATURAL	350588-4
PHOSPOR BRONZE, GOLD $\Delta 3$	NYLON, UL94V-2, NATURAL	350588-2
PHOSPOR BRONZE, PRE-TIN	NYLON, UL94V-2, NATURAL	350588-1
PIN CONTACT MATERIAL AND FINISH	HOUSING MATERIAL AND COLOR	PART NUMBER



DIMENSIONS: mm [INCHES]		TOLERANCES UNLESS OTHERWISE SPECIFIED:		DWN: K. WHITAKER 07SEP2005		Tyco Electronics Harrisburg, PA 17105-3608	
0 PLC	±	1 PLC	±	CHK: S. RIDGILL 07SEP2005	NAME	PIN HEADER ASSEMBLY, 15 CIRCUIT, UNIVERSAL MATE-N-LOK(TM)	
2 PLC	±0.13 (.005)	3 PLC	±	APVD: S. RIDGILL 07SEP2005	PRODUCT SPEC	SIZE	CAGE CODE DRAWING NO
4 PLC	±	ANGLES	±	APPLICATION SPEC	RESTRICTED TO	A	00779 ©=350588
MATERIAL SEE TABLE				FINISH SEE TABLE		WEIGHT	
CUSTOMER DRAWING				SCALE 5:1		SHEET 1 OF 1 REV R	