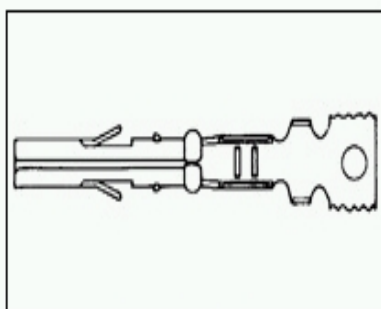


## 350665-1 Product Details

Have a Question?

Chat with a Product Information Specialist



350665-1

TE Internal Number: 350665-1

Active

[View 3D PDF](#)

.165" Centerline, 250 V, 9 A max.

[Always EU RoHS/ELV Compliant \(Statement of Compliance\)](#)

**Product Highlights:**

- Contact
- Contact Type = Socket
- Applies To Wire
- Crimp Termination Method
- Wire Range = 0.12-0.90<sup>2</sup> [26-18] mm [AWG]

[View all Features](#)

**Quick Links**

- ▶ [Check Pricing & Availability](#)
- ▶ [Search for Tooling](#)
- ▶ [Product Feature Selector](#)
- ▶ [Contact Us About This Product](#)

[Add to My Part List](#) [Request Sample](#) [Find Similar Products](#) [Buy Product](#)

**Documentation & Additional Information**

**Product Drawings:**

- [MR RECEPTACLE](#) (PDF, English)

**Catalog Pages/Data Sheets:**

- None Available

**Product Specifications:**

- None Available

**Application Specifications:**

- [Miniature Rectangular \(MR\) Contacts and Housings](#) (PDF, English)

**Instruction Sheets:**

- None Available

**CAD Files:** ([CAD Format & Compression Information](#))

- [2D Drawing](#) (DXF, Version S2)
- [3D Model](#) (IGES, Version S2)
- [3D Model](#) (STEP, Version S2)

**Additional Information:**

- [Product Line Information](#)

**Related Products:**

- [Tooling](#)

[List all Documents](#)

**Product Features** (Please use the Product Drawing for all design activity)

**Product Type Features:**

- Product Type = Contact
- Wire Insulation Diameter (mm [in]) = 1.27 - 2.92 [0.050 - 0.115]
- Product Line = Miniature Rectangular

**Electrical Characteristics:**

- Voltage (VAC) = 250
- Current Rating (A) = 9

**Termination Related Features:**

- Termination Method = Crimp
- Solder Tail Contact Plating = Pre-Tin

**Body Related Features:**

- Wire Range (mm [AWG]) = 0.12-0.90<sup>2</sup> [26-18]
- Contact Diameter (mm [in]) = 1.73 [0.068]
- Stock Thickness (mm [in]) = 0.20 [0.008]

**Contact Related Features:**

- Contact Type = Socket
- Contact Termination Type = Crimp
- Contact Plating, Mating Area, Material = Pre-Tin
- Contact Base Material = Phosphor Bronze

**Industry Standards:**

- [RoHS/ELV Compliance](#) = RoHS compliant, ELV compliant
- [Lead Free Solder Processes](#) = Not relevant for lead free process
- RoHS/ELV Compliance History = Always was RoHS compliant

**Conditions for Usage:**

- Applies To = Wire

**Packaging Related Features:**

- Packaging Method = Strip

**Other:**

- Brand = AMP

BOOKMARK

**Corporate Information**

- [Who We Are](#)
- [Investors](#)
- [News Room](#)
- [Supplier Portal](#)
- [Careers](#)

**Quick Links**

- [Check Distributor Inventory](#)
- [Cross Reference](#)
- [Find Documents & Drawings](#)
- [Product Compliance Support Center](#)
- [Site Map](#)

**Customer Support**

- [Email or Chat with Us](#)
- [Find a Phone Number](#)
- [Search Knowledge Base](#)
- [Manage Your Account](#)

**Sign up for our eNewsletter**

Enter your email address

**Follow Us On:**



Visit Us On:

