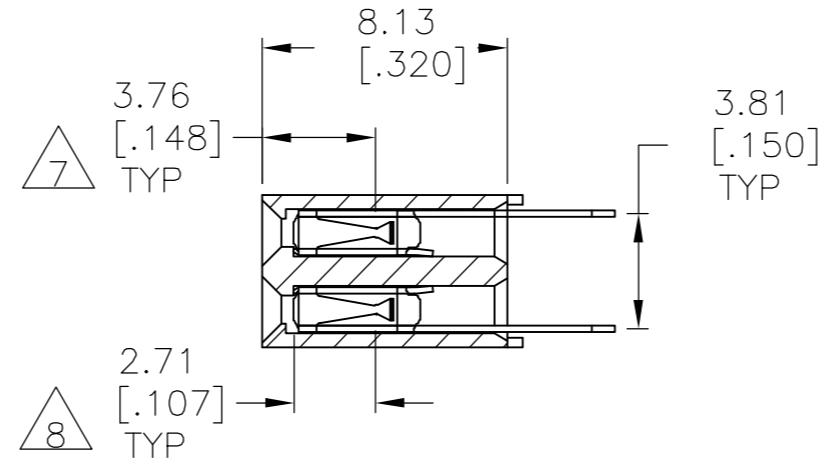
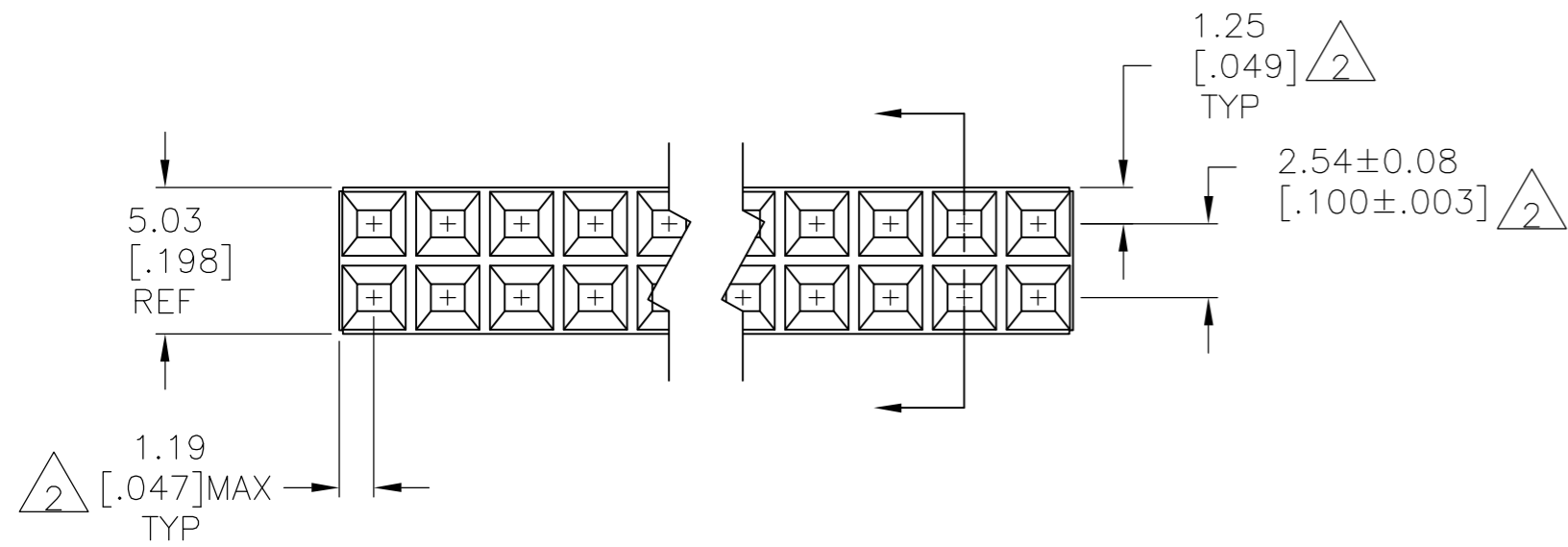
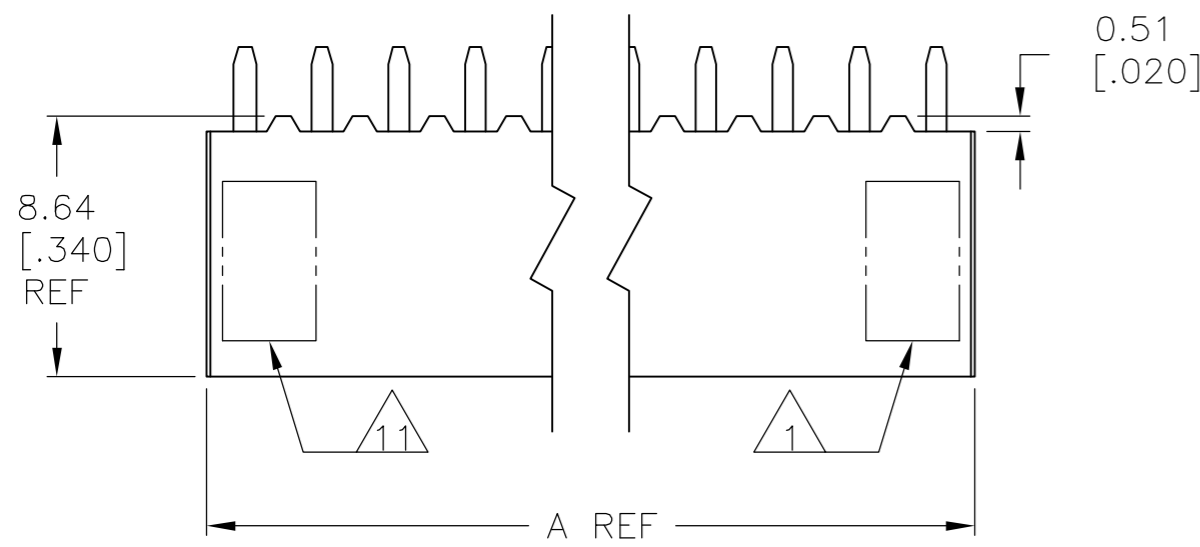
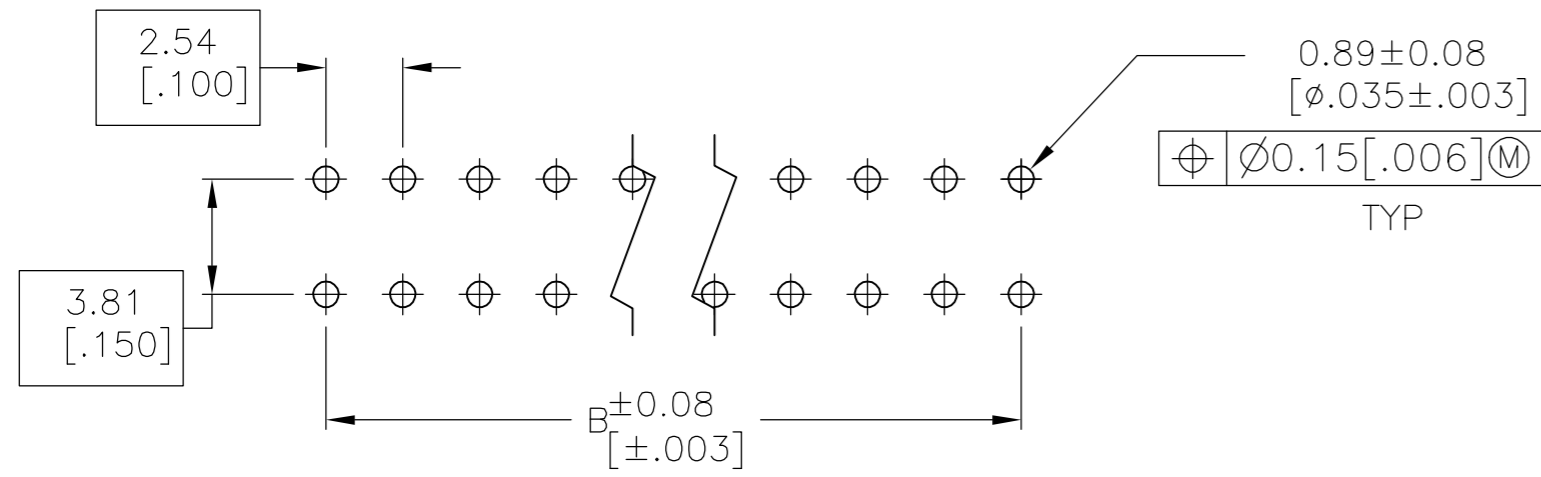


THIS DRAWING IS UNPUBLISHED. RELEASED FOR PUBLICATION
 © COPYRIGHT BY TYCO ELECTRONICS CORPORATION. ALL RIGHTS RESERVED.

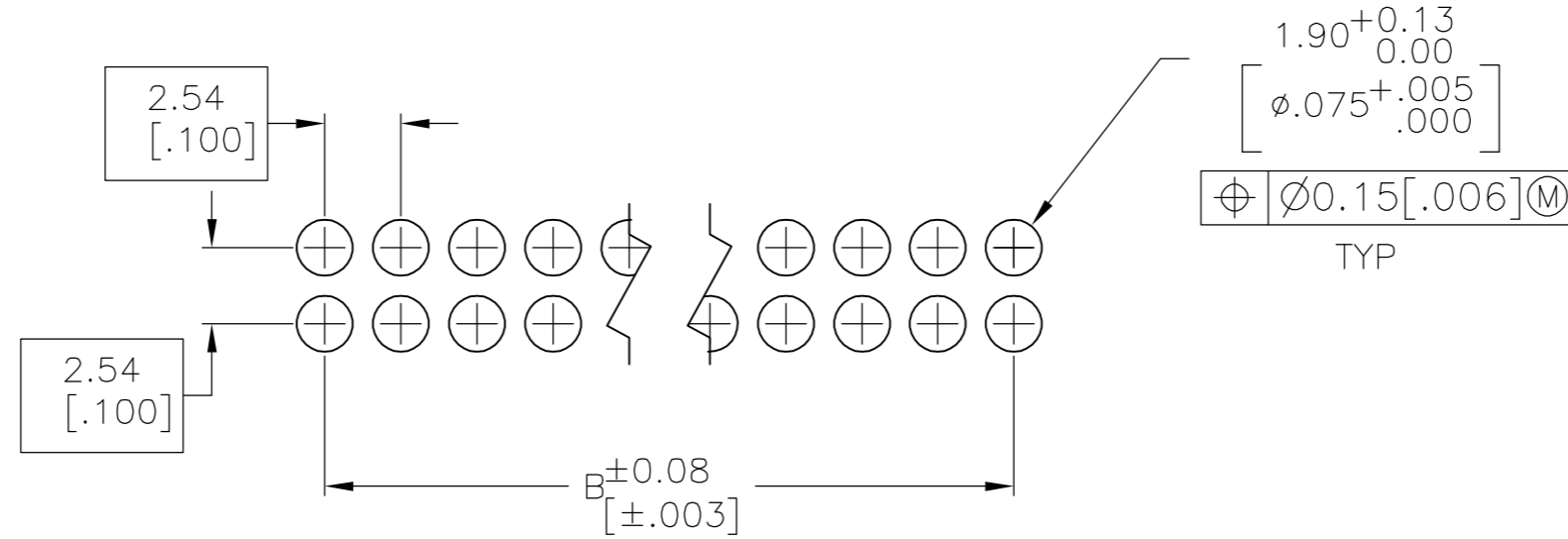
LOC		DIST		REVISIONS			
P	LTR	DESCRIPTION		DATE	DWN	APVD	
	V	EC 0G3C 0053 05		02MAR05	BSV	JRO	



- 1 TYCO LOGO AND CSA LOGO ARE MOLDED INTO THE HOUSING.
- 2 TOLERANCE NON-CUMULATIVE.
- 3 DUPLEX PLATED: 0.00076 (.000030) GOLD IN CONTACT AREA, .00381-.00762 (.000150-.000300) BRIGHT TIN-LEAD ON LEADS, ALL OVER 0.00127 (.000050) MIN NICKEL.
- 4 THESE DIMENSIONS PERTAIN TO CAVITY C/L'S ONLY, NOT TO CONTACT LOCATIONS.
- 5 NO PART NUMBER MARKING REQUIRED ON THIS PART NUMBER.
- 6 HOUSING: FLAME RETARDANT GLASS FILLED POLYESTER - BLACK. CONTACTS: PHOS. BRONZE.
- 7 POINT OF CONTACT DIMENSION.
- 8 POINT OF MEASUREMENT FOR PLATING THICKNESS (INSIDE CONTACT BEAMS).
- 9 DUPLEX PLATED: 0.00076 (.000030) GOLD DUPLEX IN CONTACT AREA, 0.00381-0.00762 (.000150-.000300) MATTE TIN ON LEADS, ALL OVER 0.00127 (.000050) MIN NICKEL.
- 10 ROHS 2002/95/EC COMPLIANT
- 11 PART NUMBER AND DATE CODE ARE MARKED IN APPROXIMATE LOCATION SHOWN.



RECOMENDED HOLE LAYOUT FOR TOP ENTRY



RECOMENDED HOLE LAYOUT FOR BOTTOM ENTRY OR PASS THROUGH APPLICATIONS

THIS DRAWING IS A CONTROLLED DOCUMENT.		DWN R. BOLES 19-11-92	Tyco Electronics Corporation Harrisburg, Pa 17105-3608	
DIMENSIONS: mm [INCHES]		CHK T. KINSEY 19-11-92		
TOLERANCES UNLESS OTHERWISE SPECIFIED:		APVD -	NAME	
0 PLC ± -	1 PLC ± -	PRODUCT SPEC 108-25026	ASSEMBLY, MOD II DOUBLE ROW, .100 X .100 C/L, VERTICAL MOUNTED, CLOSED ENTRY, SHORT PT. CONTACTS	
2 PLC ± -	3 PLC ± .005	APPLICATION SPEC 114-25018	SIZE A2	CAGE CODE 00779
4 PLC ± -	ANGLES ± -	WEIGHT -	DRAWING NO C=534236	
MATERIAL 6		FINISH 3 9	RESTRICTED TO -	
CUSTOMER DRAWING			SCALE 4:1	SHEET 1 OF 2

THIS DRAWING IS UNPUBLISHED. RELEASED FOR PUBLICATION
 © COPYRIGHT BY TYCO ELECTRONICS CORPORATION. ALL RIGHTS RESERVED.

LOC	DIST	REVISIONS					
AD	00	P	LTR	DESCRIPTION	DATE	DWN	APVD
		-		SEE SHEET 1	-	-	-

FINISH	A	B	NO OF POSN	PART NO.
△9	1.300	1.200	26	△10 9-534236-1
△9	4.000	3.900	80	△10 9-534236-0
△9	3.900	3.800	78	△10 8-534236-9
△9	3.800	3.700	76	△10 8-534236-8
△9	3.700	3.600	74	△10 8-534236-7
△9	3.600	3.500	72	△10 8-534236-6
△9	3.500	3.400	70	△10 8-534236-5
△9	3.400	3.300	68	△10 8-534236-4
△9	3.300	3.200	66	△10 8-534236-3
△9	3.200	3.100	64	△10 8-534236-2
△9	3.100	3.000	62	△10 8-534236-1
△9	3.000	2.900	60	△10 8-534236-0
△9	2.900	2.800	58	△10 7-534236-9
△9	2.800	2.700	56	△10 7-534236-8
△9	2.700	2.600	54	△10 7-534236-7
△9	2.600	2.500	52	△10 7-534236-6
△9	2.500	2.400	50	△10 7-534236-5
△9	2.400	2.300	48	△10 7-534236-4
△9	2.300	2.200	46	△10 7-534236-3
△9	2.200	2.100	44	△10 7-534236-2
△9	2.100	2.000	42	△10 7-534236-1
△9	2.000	1.900	40	△10 7-534236-0
△9	1.900	1.800	38	△10 6-534236-9
△9	1.800	1.700	36	△10 6-534236-8
△9	1.700	1.600	34	△10 6-534236-7
△9	1.600	1.500	32	△10 6-534236-6
△9	1.500	1.400	30	△10 6-534236-5
△9	1.400	1.300	28	△10 6-534236-4
△9	1.300	1.200	26	△10 6-534236-3
△9	1.200	1.100	24	△10 6-534236-2
△9	1.100	1.000	22	△10 6-534236-1
△9	1.000	.900	20	△10 6-534236-0
△9	.900	.800	18	△10 5-534236-9
△9	.800	.700	16	△10 5-534236-8
△9	.700	.600	14	△10 5-534236-7
△9	.600	.500	12	△10 5-534236-6
△5	.500	.400	10	△10 5-534236-5
△5	.400	.300	8	△10 5-534236-4
△5	.300	.200	6	△10 5-534236-3
△5	.200	.100	4	△10 5-534236-2
△5	.100	-	2	△10 5-534236-1

FINISH	A	B	NO OF POSN	PART NO.
△3	1.300	1.200	26	4-534236-1
△3	4.000	3.900	80	4-534236-0
△3	3.900	3.800	78	3-534236-9
△3	3.800	3.700	76	3-534236-8
△3	3.700	3.600	74	3-534236-7
△3	3.600	3.500	72	3-534236-6
△3	3.500	3.400	70	3-534236-5
△3	3.400	3.300	68	3-534236-4
△3	3.300	3.200	66	3-534236-3
△3	3.200	3.100	64	3-534236-2
△3	3.100	3.000	62	3-534236-1
△3	3.000	2.900	60	3-534236-0
△3	2.900	2.800	58	2-534236-9
△3	2.800	2.700	56	2-534236-8
△3	2.700	2.600	54	2-534236-7
△3	2.600	2.500	52	2-534236-6
△3	2.500	2.400	50	2-534236-5
△3	2.400	2.300	48	2-534236-4
△3	2.300	2.200	46	2-534236-3
△3	2.200	2.100	44	2-534236-2
△3	2.100	2.000	42	2-534236-1
△3	2.000	1.900	40	2-534236-0
△3	1.900	1.800	38	1-534236-9
△3	1.800	1.700	36	1-534236-8
△3	1.700	1.600	34	1-534236-7
△3	1.600	1.500	32	1-534236-6
△3	1.500	1.400	30	1-534236-5
△3	1.400	1.300	28	1-534236-4
△3	1.300	1.200	26	1-534236-3
△3	1.200	1.100	24	1-534236-2
△3	1.100	1.000	22	1-534236-1
△3	1.000	.900	20	1-534236-0
△3	.900	.800	18	534236-9
△3	.800	.700	16	534236-8
△3	.700	.600	14	534236-7
△3	.600	.500	12	534236-6
△3	.500	.400	10	△5 534236-5
△3	.400	.300	8	△5 534236-4
△3	.300	.200	6	△5 534236-3
△3	.200	.100	4	△5 534236-2
△3	.100	-	2	△5 534236-1

THIS DRAWING IS A CONTROLLED DOCUMENT.

DWN R. BOLES 19-11-92	Tyco Electronics Corporation Harrisburg, Pa 17105-3608
CHK T. KINSEY 19-11-92	
APVD -	NAME
PRODUCT SPEC 108-25026	ASSEMBLY, MOD II DOUBLE ROW, .100 X .100 C/L, VERTICAL MOUNTED, CLOSED ENTRY, SHORT PT. CONTACTS
APPLICATION SPEC 114-25018	
WEIGHT -	SIZE A2 CAGE CODE 00779 DRAWING NO. C=534236 RESTRICTED TO -
CUSTOMER DRAWING	SCALE 4:1 SHEET 2 OF 2 REV V