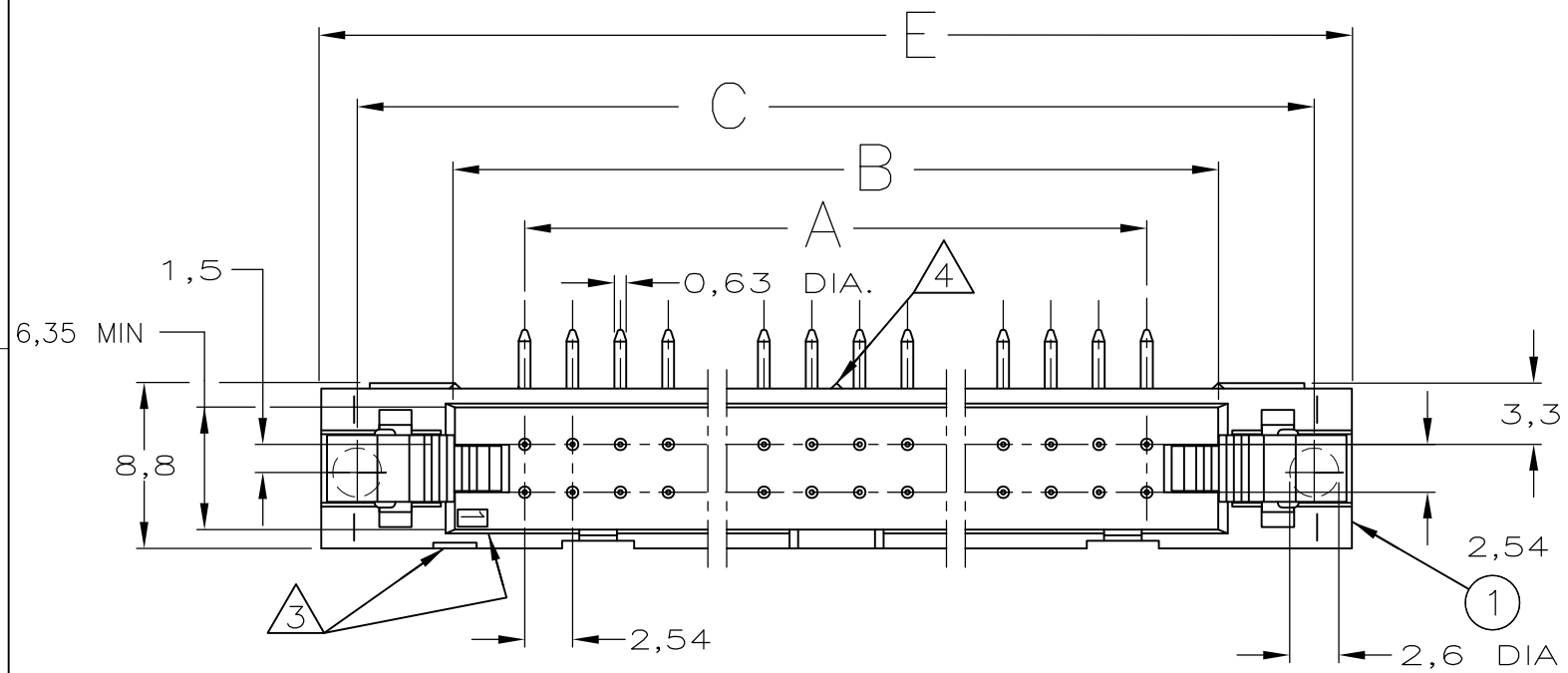


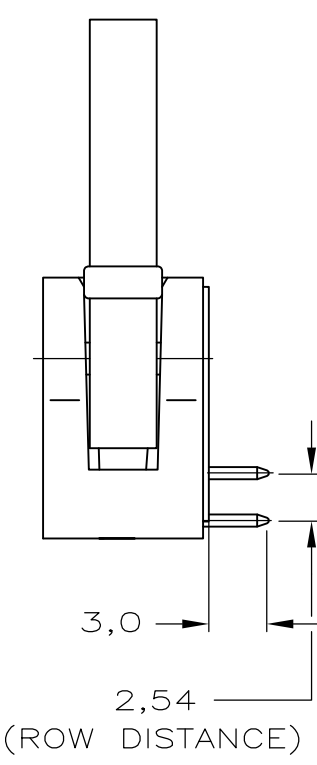
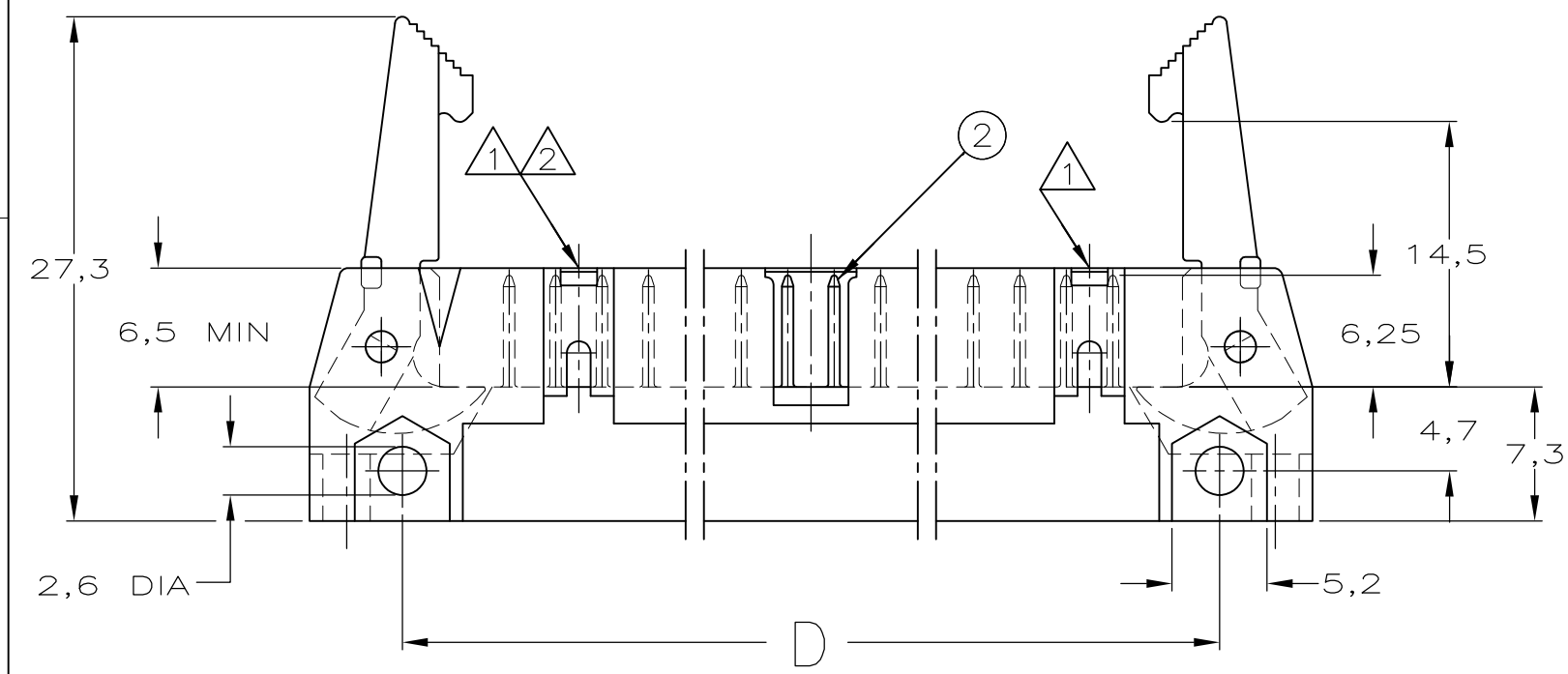
THIS DRAWING IS UNPUBLISHED. RELEASED FOR PUBLICATION
 © COPYRIGHT - By - ALL RIGHTS RESERVED.

LOC	DIST	REVISIONS					
GP	00	P	LTR	DESCRIPTION	DATE	DWN	APVD
			B	REVISED PER ECO-12-015754	31AUG2012	CJV	CWR



NOTES

- ① SNAP-IN POLARIZERS PN. 927636-2 OR 927637-2 CAN BE APPLIED.
- ② THERE IS NO WINDOW FOR SNAP-IN POLARIZERS AT THIS END IN 10 AND 14 POS HEADERS.
- ③ INDICATION OF FIRST POSITION.
- ④ THERE IS NO CENTER STAND-OFF IN 10-26 POS HEADERS.



RECOMMENDED PCB-HOLE PATTERN

② PIN-CONTACT	BRASS	MATING SIDE: 0,8µm AU OR 0,8µm DURAGOLD / OVER 1,27µm NI SOLDER SIDE: MIN. 3,0µm SN OVER 1,27µm NI
① HOUSING	GLASS FILLED POLYESTER	BLACK
COMPONENT NAME	MATERIAL	PLATING/COLOUR

100,6	90,4	96,5	86,4	78,7	64	6-828586-4
95,5	85,3	91,4	81,3	73,7	60	6-828586-0
82,8	72,6	78,7	68,6	61,0	50	5-828586-0
70,1	59,9	66,0	55,9	48,3	40	4-828586-0
62,5	52,3	58,4	48,3	40,6	34	3-828586-4
52,3	42,2	48,3	38,1	30,5	26	2-828586-6
44,7	34,5	40,6	30,5	22,9	20	2-828586-0
39,6	29,5	35,6	25,4	17,8	16	1-828586-6
37,1	26,9	33,0	22,9	15,2	14	1-828586-4
32,0	21,8	27,9	17,8	10,2	10	1-828586-0
E	D	C	B	A	NO OF POSITIONS	PART NUMBER

THIS DRAWING IS A CONTROLLED DOCUMENT. DIMENSIONING AND TOLERANCING PER ASME Y14.5M-2009

DIMENSIONS:	TOLERANCES UNLESS OTHERWISE SPECIFIED:
mm	
0 PLC	± -
1 PLC	± -
2 PLC	± -
3 PLC	± -
4 PLC	± -
ANGLES	± -
MATERIAL	FINISH
-	-

DWN 29-11-93
 J.v.LIEMPT
 CHK R.VERSTIJNEN
 APVD L.v.SOEST
 PRODUCT SPEC
 APPLICATION SPEC
 WEIGHT -

OBSOLETE TE Connectivity
 AMP-LATCH HEADER 90DEG VERSION WITH LATCHES
NOT the LATEST REVISION

SIZE	CAGE CODE	DRAWING NO	RESTRICTED TO
A3	00779	C-828586	-
CUSTOMER DRAWING		SCALE -	SHEET 1 OF 1
		REV B	