

Distributed by:

JAMECO[®]
ELECTRONICS

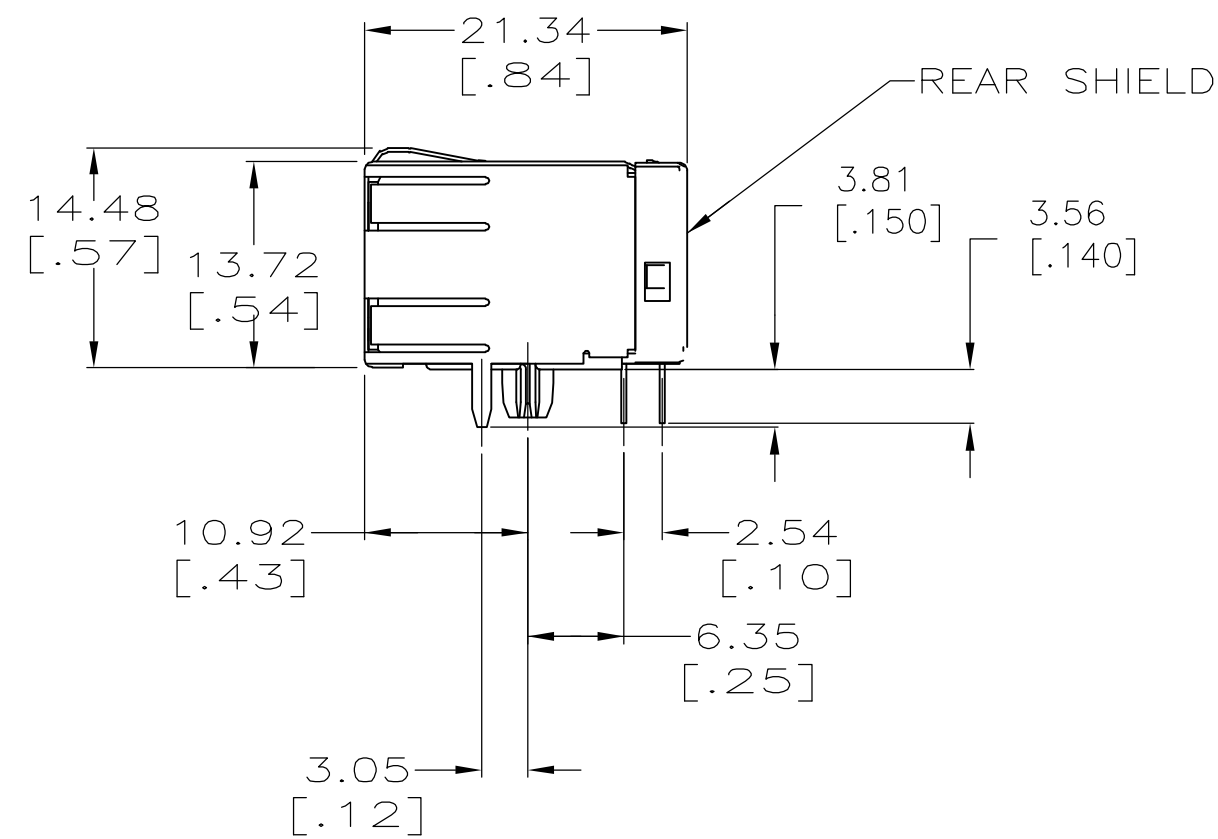
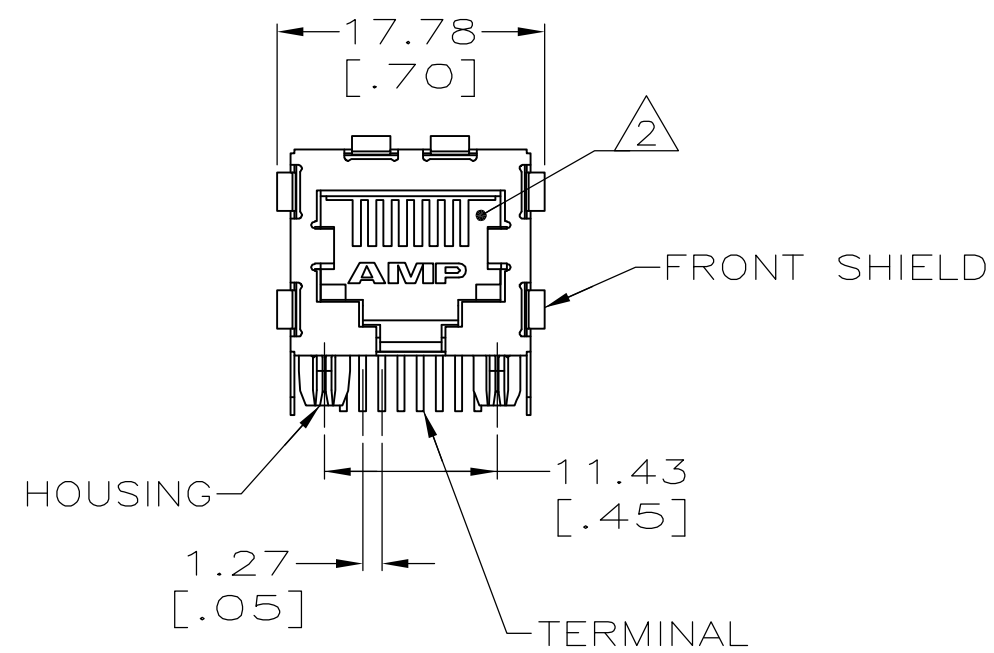
www.Jameco.com ♦ 1-800-831-4242

The content and copyrights of the attached
material are the property of its owner.

Jameco Part Number 945240

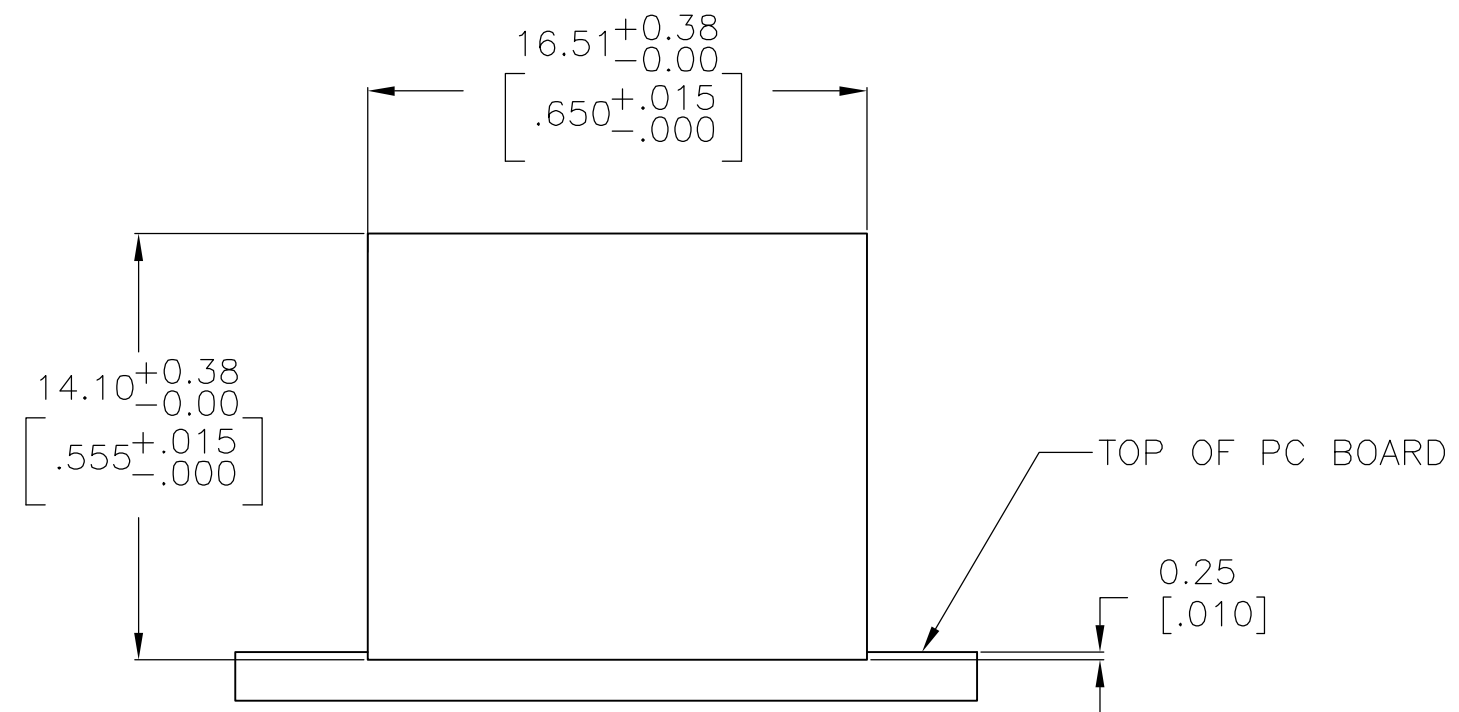
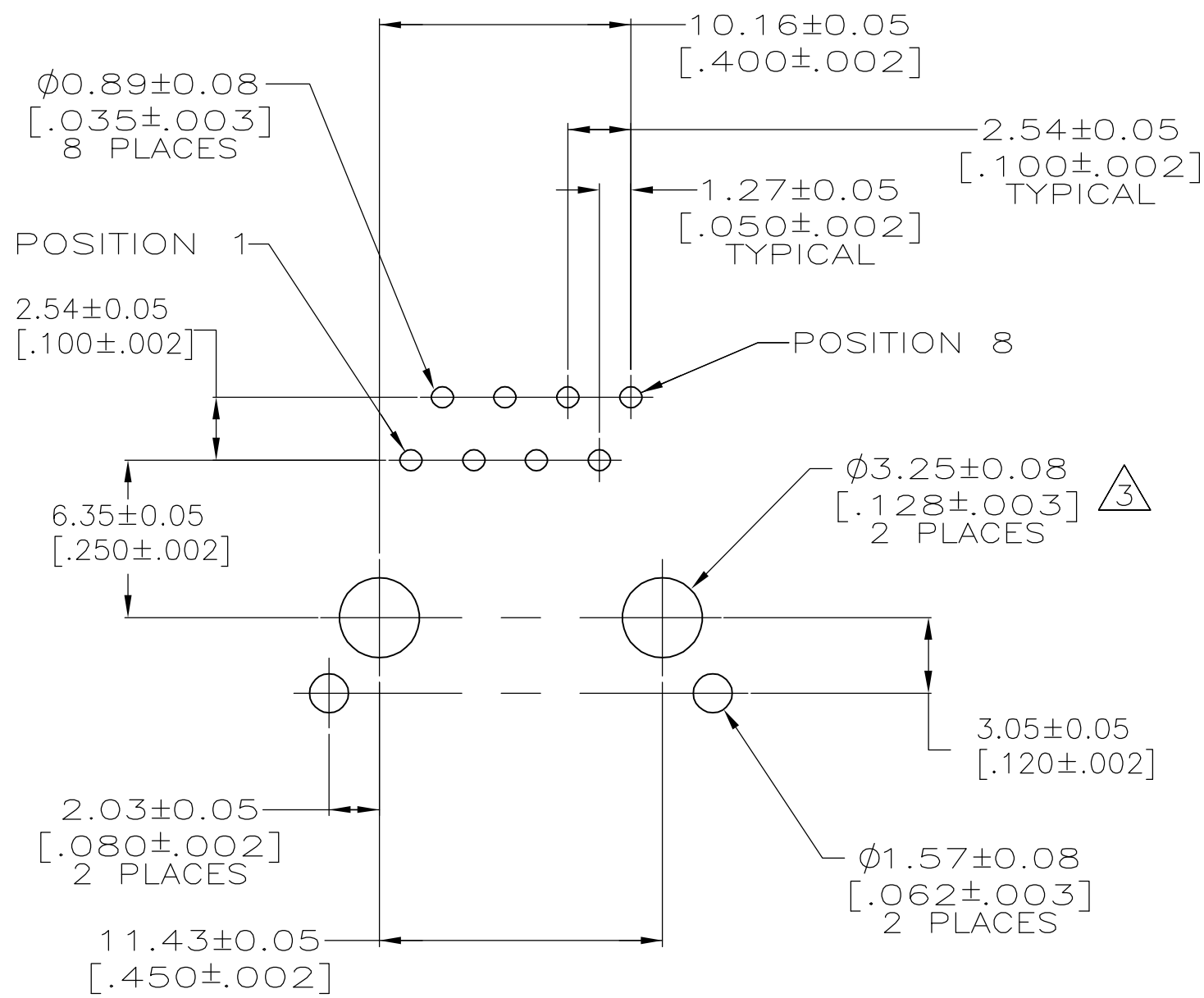
THIS DRAWING IS UNPUBLISHED. RELEASED FOR PUBLICATION
 © COPYRIGHT BY TYCO ELECTRONICS CORPORATION. ALL RIGHTS RESERVED.

LOC		DIST		REVISIONS			
P	LTR	DESCRIPTION		DATE	DWN	APVD	
AA	00	G	ECO-06-027171	20DEC2006	LAM	JW	



- MATERIAL: HOUSING - NYLON, BLACK, UL 94V-0. OVERMOLDED TERMINAL ARRAY - PBT, BROWN. TERMINALS - 0.33[.013] THICK PHOS BRONZE PLATED WITH 1.27μm[.000050] MINIMUM HARD GOLD IN LOCALIZED AREA AND 3.81μm[.000150] MINIMUM TIN-LEAD IN SOLDER AREA OVER 1.27μm[.000050] MINIMUM NICKEL UNDERPLATE. SHIELD - 0.254[.010] THICK COPPER ALLOY PLATED WITH 2.03μm[.000080] MINIMUM THICK BRIGHT TIN OVER 1.27μm[.000050] MINIMUM NICKEL

- JACK CAVITY CONFORMS TO FCC RULES AND REGULATIONS, PART 68 SUBPART F.
- USE #30 DRILL BIT OR 3.25mm DRILL BIT WHEN PRODUCING THESE PCB HOLES.
- DIELECTRIC WITHSTANDING VOLTAGE BETWEEN SHIELD AND TERMINAL IS 1500 VAC



SUGGESTED PANEL CUTOUT
SCALE 4:1

SUGGESTED PC BOARD LAYOUT
COMPONENT SIDE (TOP)
SCALE 4:1

406296-1
PART NUMBER

THIS DRAWING IS A CONTROLLED DOCUMENT.		DWN T. SPRINKLE 10JAN97	09OCT96	tyco Electronics		Tyco Electronics Corporation Harrisburg, Pa 17105-3608	
DIMENSIONS: mm		CHK C. WHITT 10JAN97	APVD J. TONEY 10JAN97	NAME 108-1163-2		MODULAR JACK ASSEMBLY, SINGLE PORT, 8 POSITION, SHIELDED, REVERSE PANEL GROUND TABS, CATEGORY 5	
TOLERANCES UNLESS OTHERWISE SPECIFIED: 0 PLC ± - 1 PLC ± - 2 PLC ± 0.25[.01] 3 PLC ± 0.13[.005] 4 PLC ± - ANGLES ± - FINISH		APPLICATION SPEC 114-2048		SIZE A2	CAGE CODE 00779	DRAWING NO C=406296	RESTRICTED TO -
MATERIAL SEE NOTE 1		FINISH SEE NOTE 1		WEIGHT -	SCALE 2:1	SHEET 1 OF 1	REV G
CUSTOMER DRAWING							