

Distributed by:

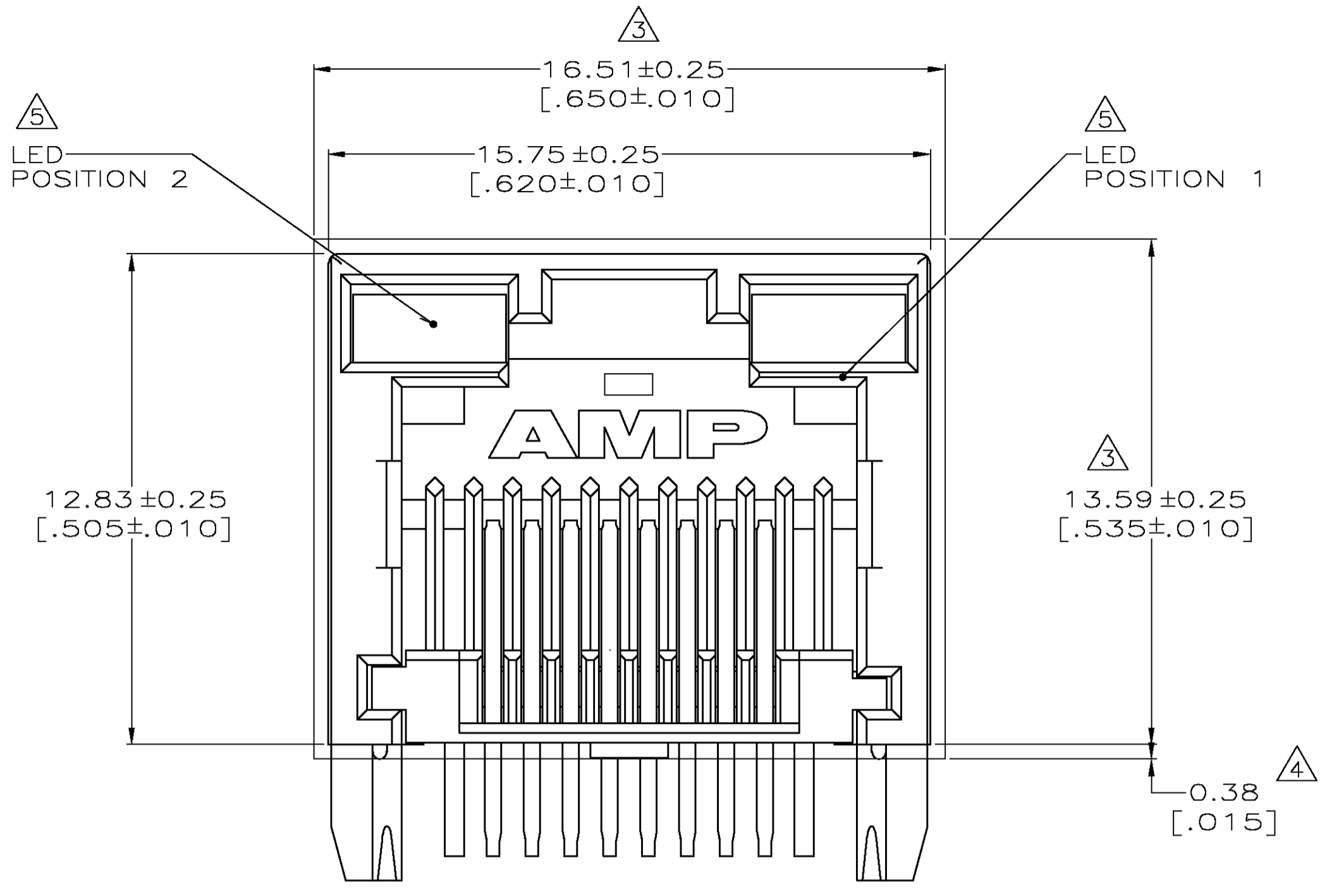
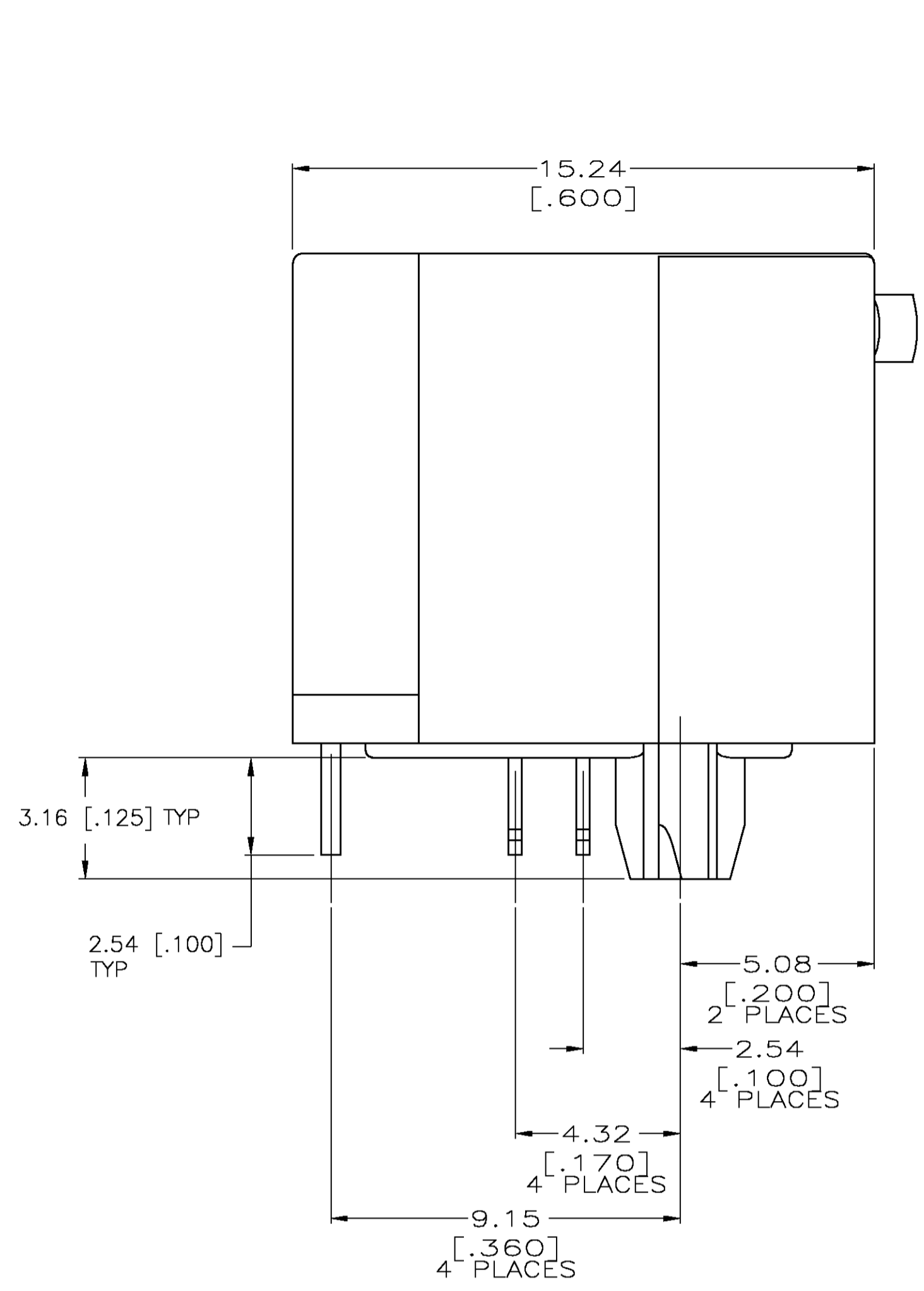
JAMECO[®]
ELECTRONICS

www.Jameco.com ♦ 1-800-831-4242

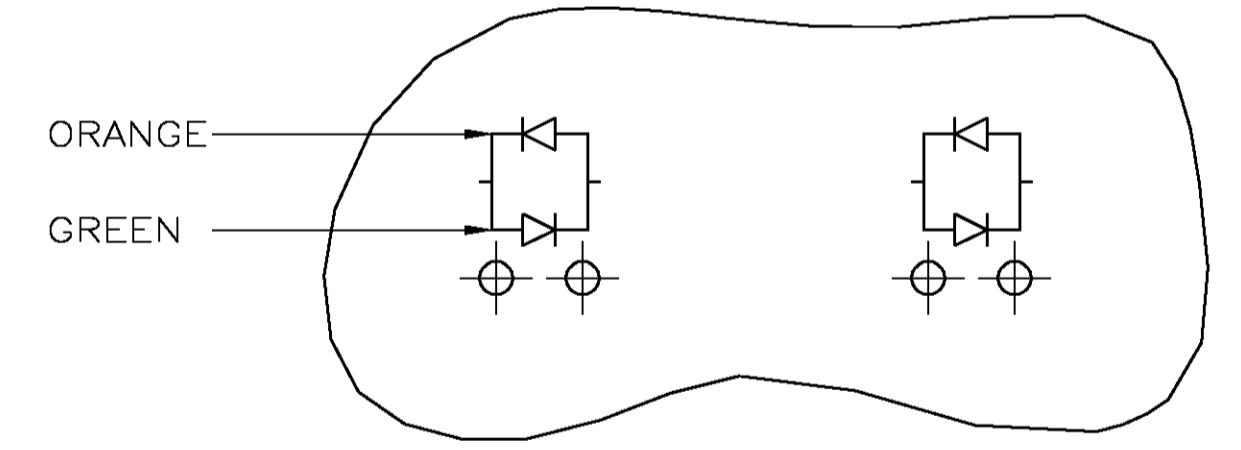
The content and copyrights of the attached
material are the property of its owner.

Jameco Part Number 1404816

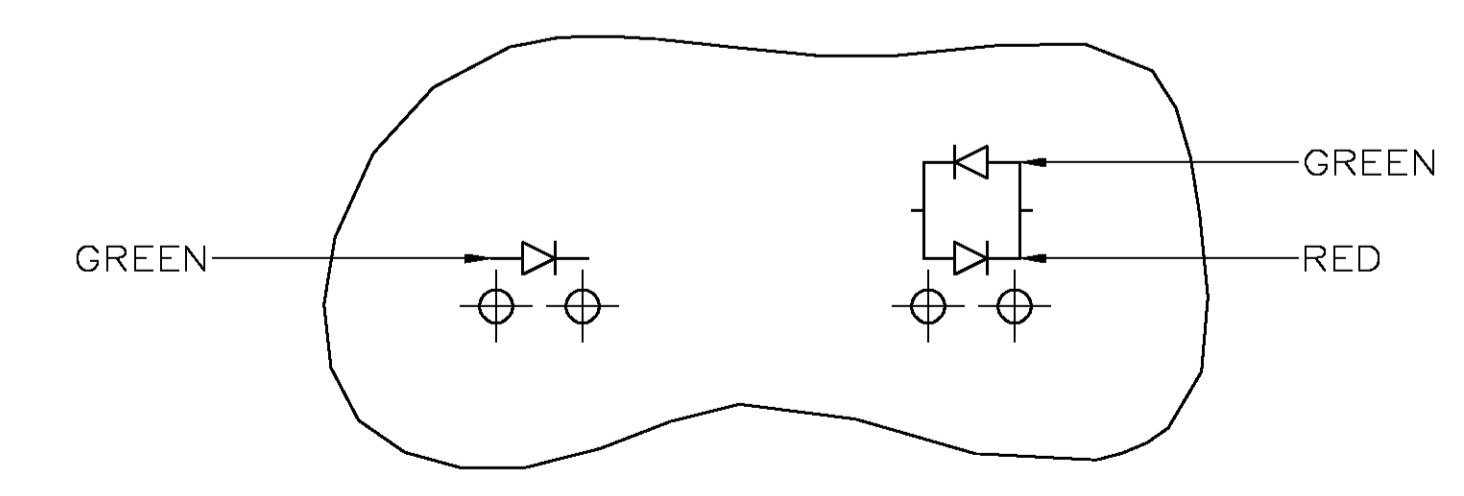
LOC		DIST		REVISIONS			
F	LTR	DESCRIPTION	DATE	BY	APPD		
E		ECOS11-0175-04	05MAR05	LAM	JW		



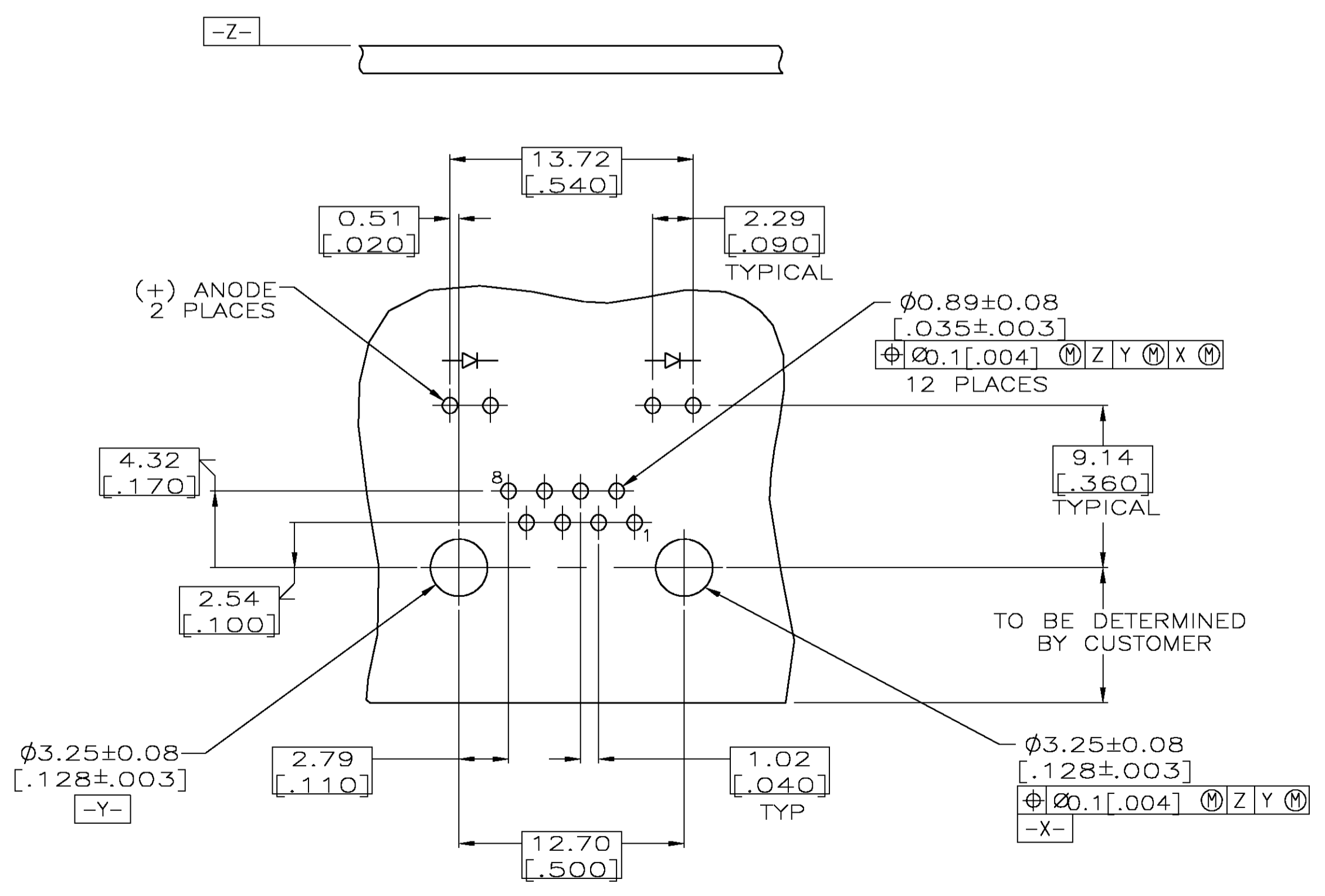
- MATERIAL:**
 HOUSING - HIGH TEMPERATURE THERMOPLASTIC, BLACK, UL94V-0.
 TERMINALS - 0.36[.014] THICK PHOS BRONZE PLATED WITH 3.81μm[.000150] MINIMUM THICK BRIGHT TIN LEAD IN SOLDER AREA. 1.27μm [.000050] MINIMUM GOLD IN LOCALIZED PLATE AREA. ENTIRE TERMINAL PLATED WITH 1.27μm [.000050] MINIMUM THICK NICKEL.
 LIGHT EMITTING DIODE (LED) - DIFFUSED EPOXY LENS, .51 x .51[.020 x .020] CARBON STEEL WIREFRAME LEADS PREPLATED WITH 2.29μm[.000090] SILVER OVER 1.02μm[.000040] NICKEL UNDERPLATE OVER 2.03μm[.000080] COPPER UNDERPLATE. POST-PLATED WITH 6.35-13.97μm[.000250-.000550] THICK TIN-LEAD.
- JACK CAVITY CONFORMS TO FCC RULES AND REGULATIONS PART 68, SUBPART F.
 - SUGGESTED PANEL OPENING DIMENSIONS.
 - SUGGESTED CLEARANCE BETWEEN BOTTOM OF CONNECTOR AND BOTTOM PANEL OPENING.
 - SEE TABLE FOR COLOR OF LEDS AND NUMBER REQUIRED.
 - THIS MODULAR JACK WITH INTEGRATED LED IS NOT IR REFLOW SOLDERING PROCESS COMPATIBLE.
 - PACKAGED 35 PIECES PER TUBE. SEE DETAIL "A".
 - PRELIMINARY. NOT RELEASED FOR PRODUCTION.



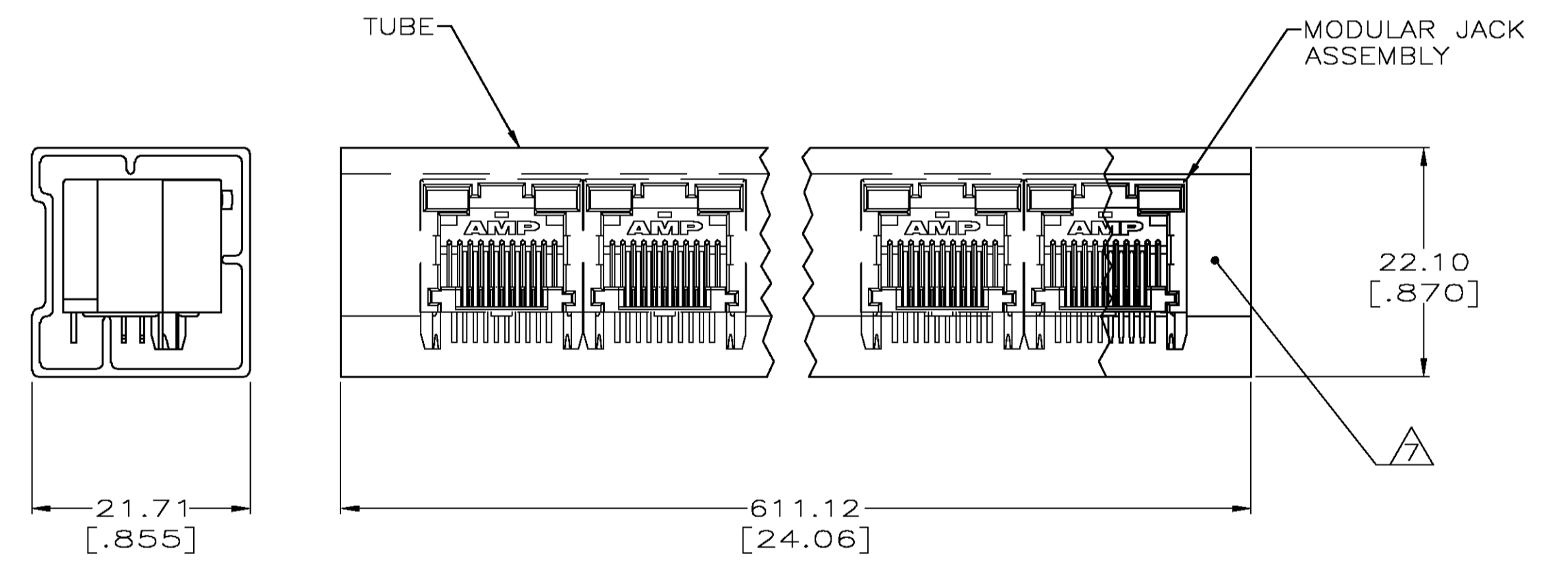
LED CURRENT DIAGRAM
406533-7 ONLY



LED CURRENT DIAGRAM
1-406533-0 AND 8-406533-0 PARTS ONLY



SUGGESTED PRINTED CIRCUIT BOARD LAYOUT
(COMPONENT SIDE)



DETAIL A
TUBE PACKAGING
SCALE 2:1

TRAY	INDICATOR COLOR	PART NUMBER
TRAY	GREEN (FROSTED WHITE)	1-406533-9
TRAY	GREEN	1-406533-7
TRAY	GREEN	1-406533-0
TRAY	ORANGE/GREEN	406533-7
TRAY	YELLOW	406533-6
TRAY	GREEN	406533-5
TRAY	GREEN	406533-4
TRAY	YELLOW	406533-3
TRAY	GREEN	406533-2
TRAY	YELLOW	406533-1
PACKAGING	POSITION 2 / POSITION 1	

THIS DRAWING IS A CONTROLLED DOCUMENT.

DIMENSIONS: mm	TOLERANCES UNLESS OTHERWISE SPECIFIED:	DIN T. SPRINKLE 17SEP97	APVD M. DERSTINE 17SEP97	TYCO Electronics Tyco Electronics Corporation Harrisburg, Pa 17105-3608
0 PL ± -	1 PL ± -	1 PL ± -	1 PL ± -	INVERTED MODULAR JACK ASSEMBLY, 1X1, LED
1 PL ± -	2 PL ± 0.25(.010)	2 PL ± 0.25(.010)	2 PL ± 0.25(.010)	108-1163-4
3 PL ± 0.13(.005)	3 PL ± 0.13(.005)	3 PL ± 0.13(.005)	3 PL ± 0.13(.005)	114-2154
4 PL ± -	4 PL ± -	4 PL ± -	4 PL ± -	SIZE: A1
ANGLES ± -	ANGLES ± -	ANGLES ± -	ANGLES ± -	CAGE CODE: 00779
MATERIAL: SEE NOTE 1	FINISH: SEE NOTE 1	WEIGHT: -	SCALE: 8:1	DRAWING NO: 406533
				RESTRICTED TO: -
				CUSTOMER DRAWING