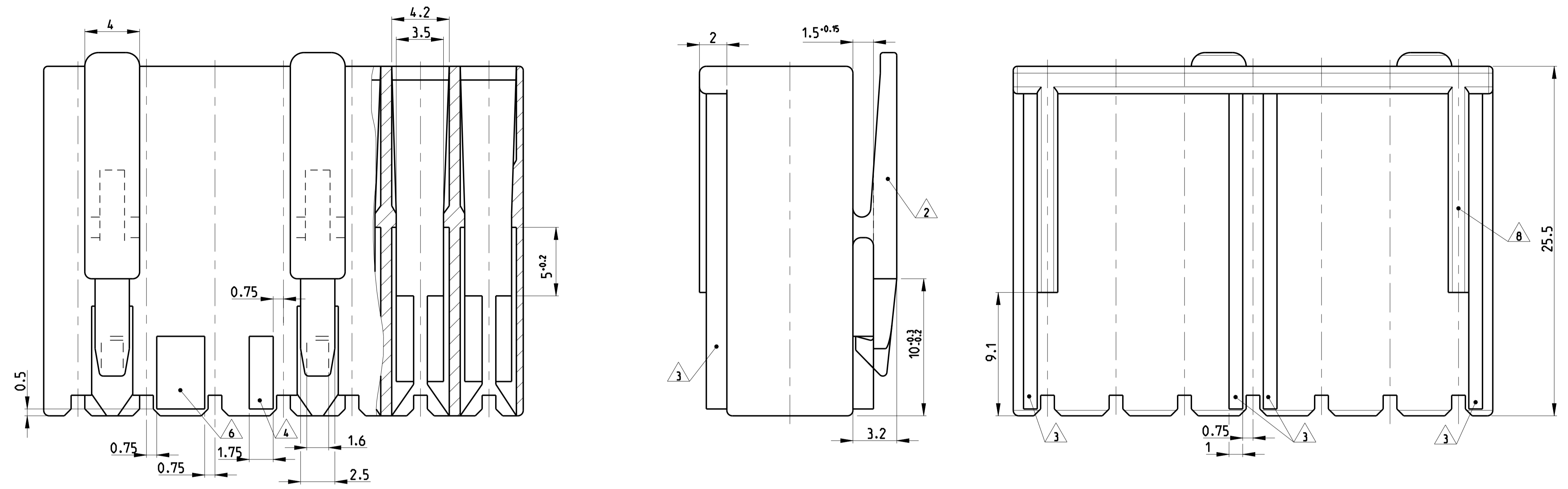
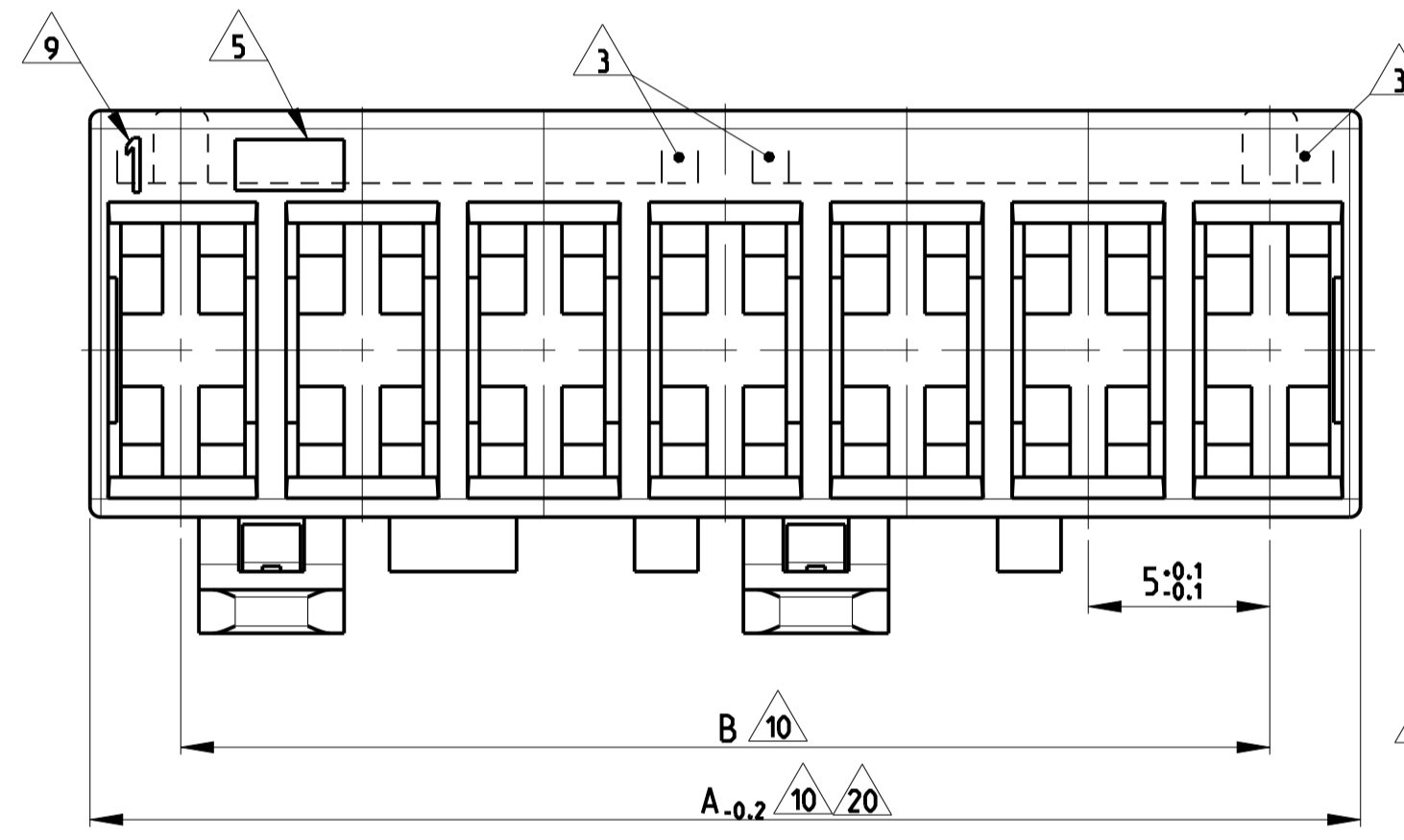
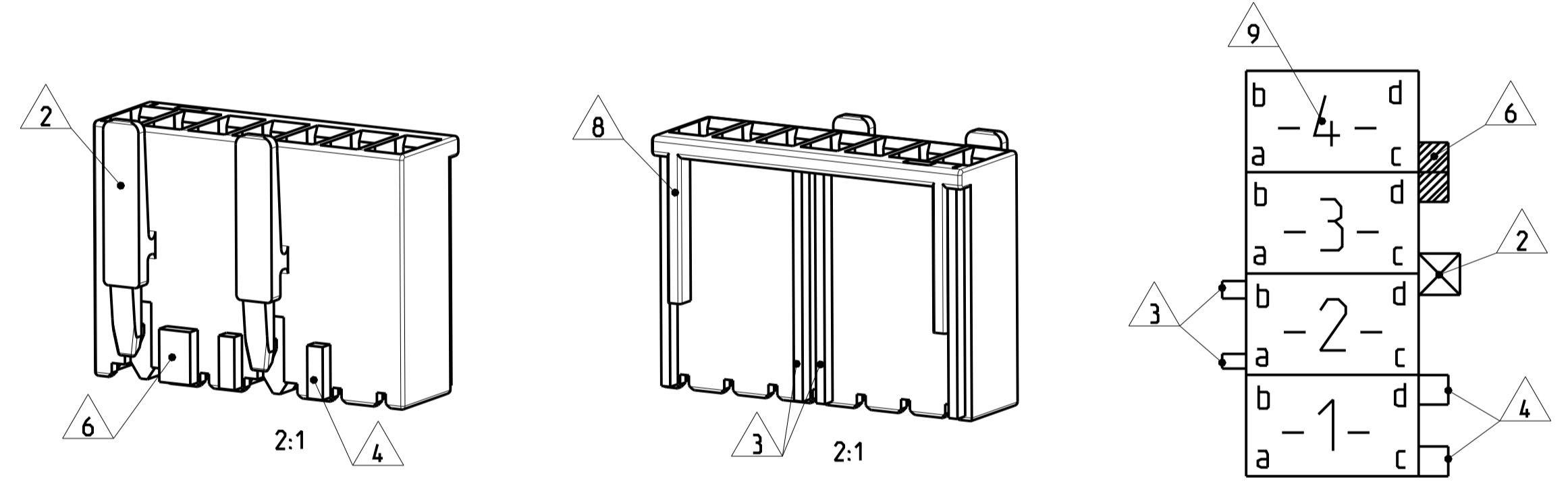


LOC	DIST	REV	DESCRIPTION	DATE	DRW	APPD
A1	-	B14	REVISED AS PER ECR-13-017477	07NOV2013	MKD	RRP
		B15	REVISED AS PER ECR-14-000708	16JAN2014	MKD	RRP
		B16	REVISED AS PER ECR-14-002993	10MAR2014	MKD	RRP



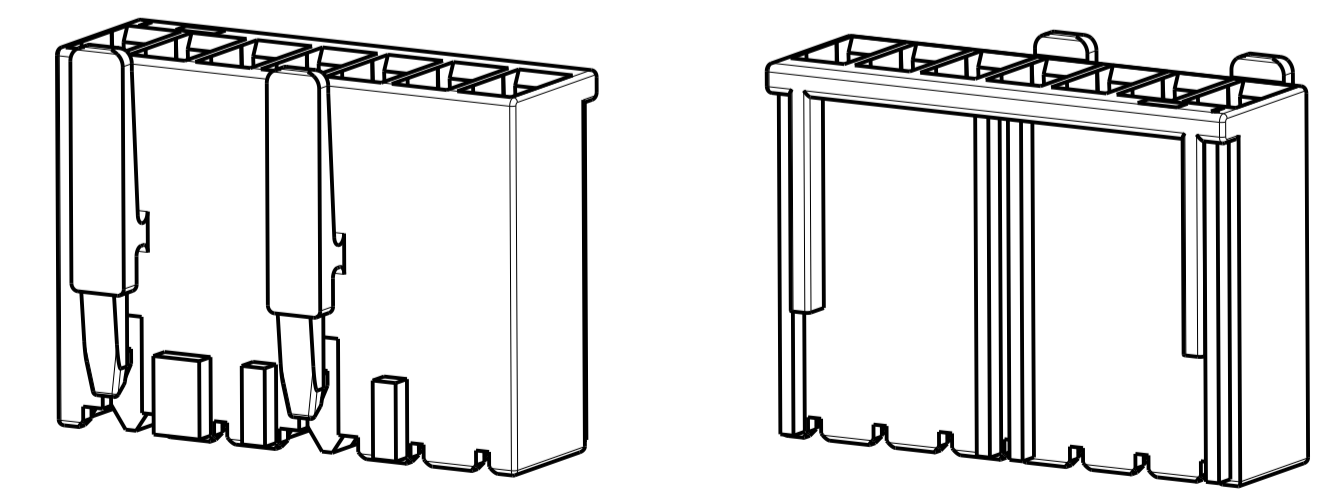
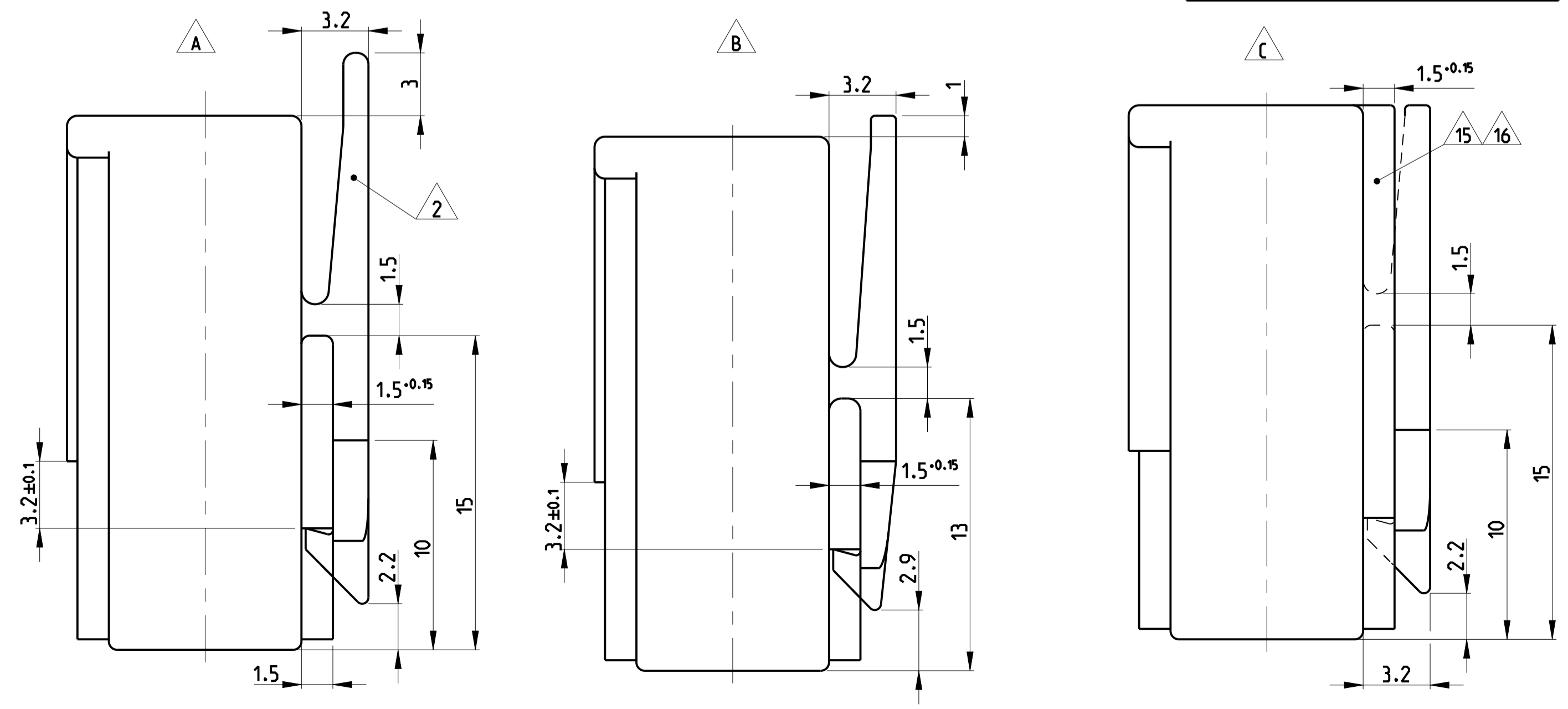
- NOTES:**
- 1 CAVITY SUITABLE TO STANDARD TIMER CONTACTS LISTED IN PROD: SPEC: 108-18049, ITEM 3.3.2  
Kammer geeignet für Standard Timer Kontakte gelistet in Prod. Spec. 108-18049, Punkt 3.3.2
  - 2 LOCKING LATCH BETWEEN CAVITY NO. Rasthaken zwischen Kammernummer
  - 3 POLARIZATION RIB POSITION "a" OR POSITION "b", AT CAVITY NO. Polarisierungsrippen (Lage "a") oder (Lage "b") versetzt bei Kammer Nr
  - 4 KEYING RIB POSITION "c" OR POSITION "d", AT CAVITY NO. Kodierungsrippen nach unten (Lage "c") oder oben (Lage "d") versetzt bei Kammernummer
  - 5 AREA FOR TE LOGO ACC. TO SPEC 202-36 Bereich für TE Logo nach Spec. 202-36
  - 6 WIDTH KEYING RIB BETWEEN CAVITY NO. Breite Kodierrippe zwischen Kammer Nr.
  - 7 SUITABLE TO TAB 6.3x0.8mm AND 4.8x0.8mm ACCORDING TO DIN 46244 Geeignet für Flachstecker 6.3x0.8mm und 4.8x0.8mm nach DIN 46244
  - 8 MATING STOP BETWEEN CAVITY NO.1 AND 2, ALSO BETWEEN THE LAST AND THE LAST BUT ONE CAVITY Tiefenanschlag zwischen Kammer Nr.1 und 2, ebenfalls zwischen der letzten und vorletzten Kammer
  - 9 CONTACT CAVITY NO. Kammernummer
  - 10 DIMENSION A AND DIMENSION B SEE SHEET 2 OF 3 Maß A und Maß B siehe Blatt 2 von 3
  - 11 MATED WITH TE CONNECTOR: SEE TABLE, SHEET 2 OF 3 Passender TE Gegenstecker: siehe Tabelle, Seite 2 von 3
  - 12 GENERAL SUITABLE TAB HEADER HOUSING SEE RAST 5 PERFORMANCE Generell passende Flachsteckerwanne, siehe RAST 5 Vorgabe
  - 13 CONNECTION TO THE PC BOARD SEE DRAWING 88-9935-4 Leiterplattenanschluß siehe Zeichnung 88-9935-4
  - 14 SEE TABLE, SHEET 2 OF 3 Siehe Tabelle, Blatt 2 von 3
  - 15 MATERIAL CORRESPONDS TO THE REQUIREMENT EN 60335 (INCL. GLOW WIRE TEST 750° WITHOUT FLAME) Material entspricht den Anforderungen der EN 60335 (incl. Glühdrahttest 750° ohne Flamme)
  - 16 WIRE TANGLING PROTECTION Drahtverhedderschutz
  - 17 WIRE TANGLING PROTECTION IN COMBINATION WITH CODING RIBS, ONLY VALID FOR VERSIONS 5-964702-3, 0-964702-3, 0-964702-1 Drahtverhedderschutz in Kombination mit Kodierrippe nur bei Version 5-964702-3, 0-964702-3, 0-964702-1
  - 18 KEYING ACC. TO RAST-5 STANDARD; COLOUR IS DIFFERENT Kodierung nach RAST-5 Norm; Farbe ist unterschiedlich
  - 19 8 POS. SPECIAL VERSION WITH SWAGED KEYING RIB 8 Pol. Spezial Version mit abgeschrägter Kodierrippe
  - 20 SPECIAL MATERIAL PA66, UL 94 V0
  - 21 DIMENSION "A" IS ACCEPTED WITHIN TOLERANCE +0.05/-0.20.
  - 22 PRELIMINARY PART- NOT YET RELEASED FOR PRODUCTION

**DESCRIPTION**  
POSITION OF THE KEYING RIBS, POLARISATION RIBS AND THE LOCKING LATCH  
Lage der Kodierrippen, der Polarisierungsrippen, sowie der Rasthaken



ALL OTHER DIMENSIONS ARE SAME  
Alle anderen Masse sind gleich

**PAY ATTENTION !**  
DIFFERENT LOCKING LATCHES  
Bitte beachten !  
Unterschiedliche Rasthaken

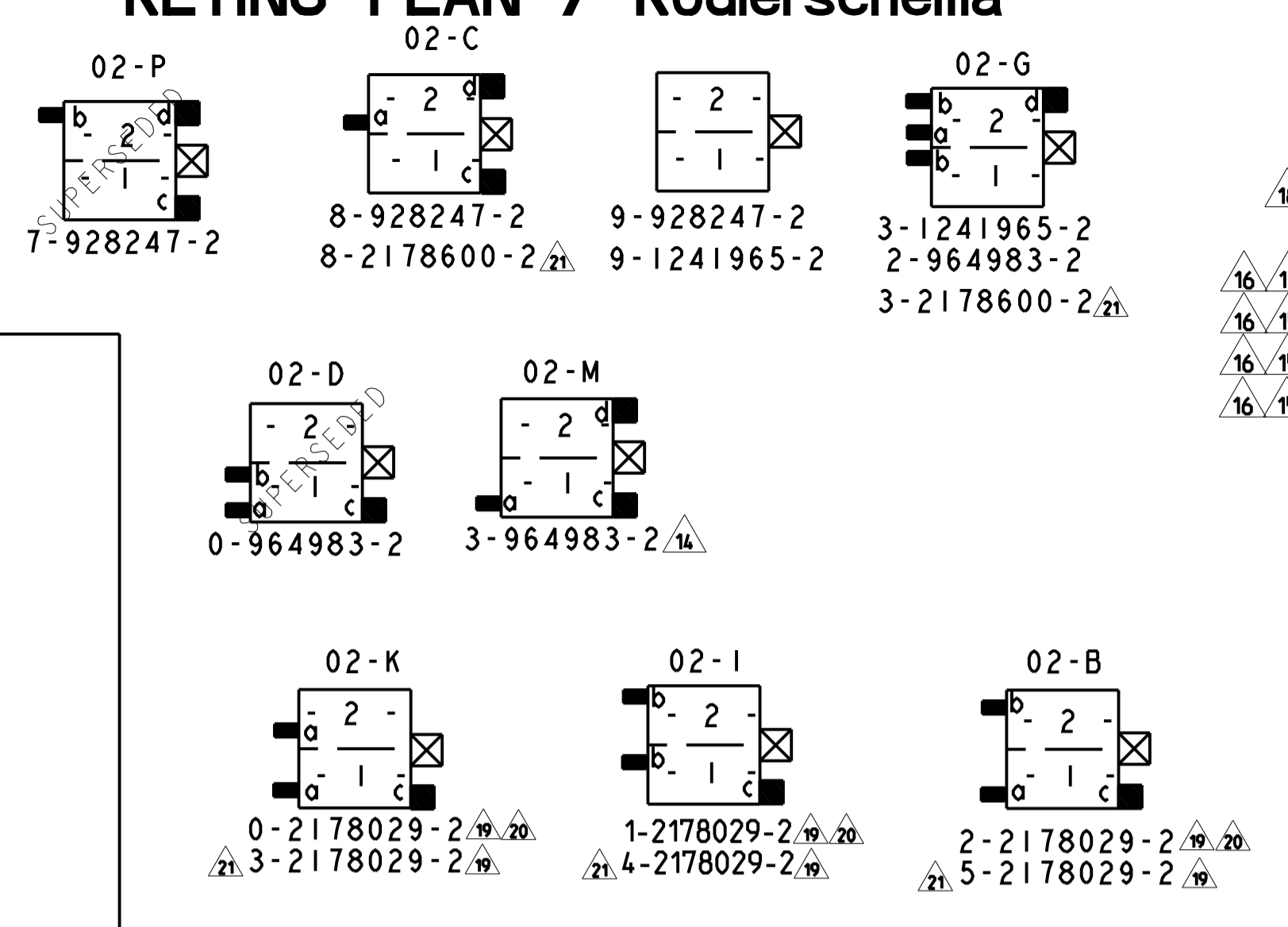
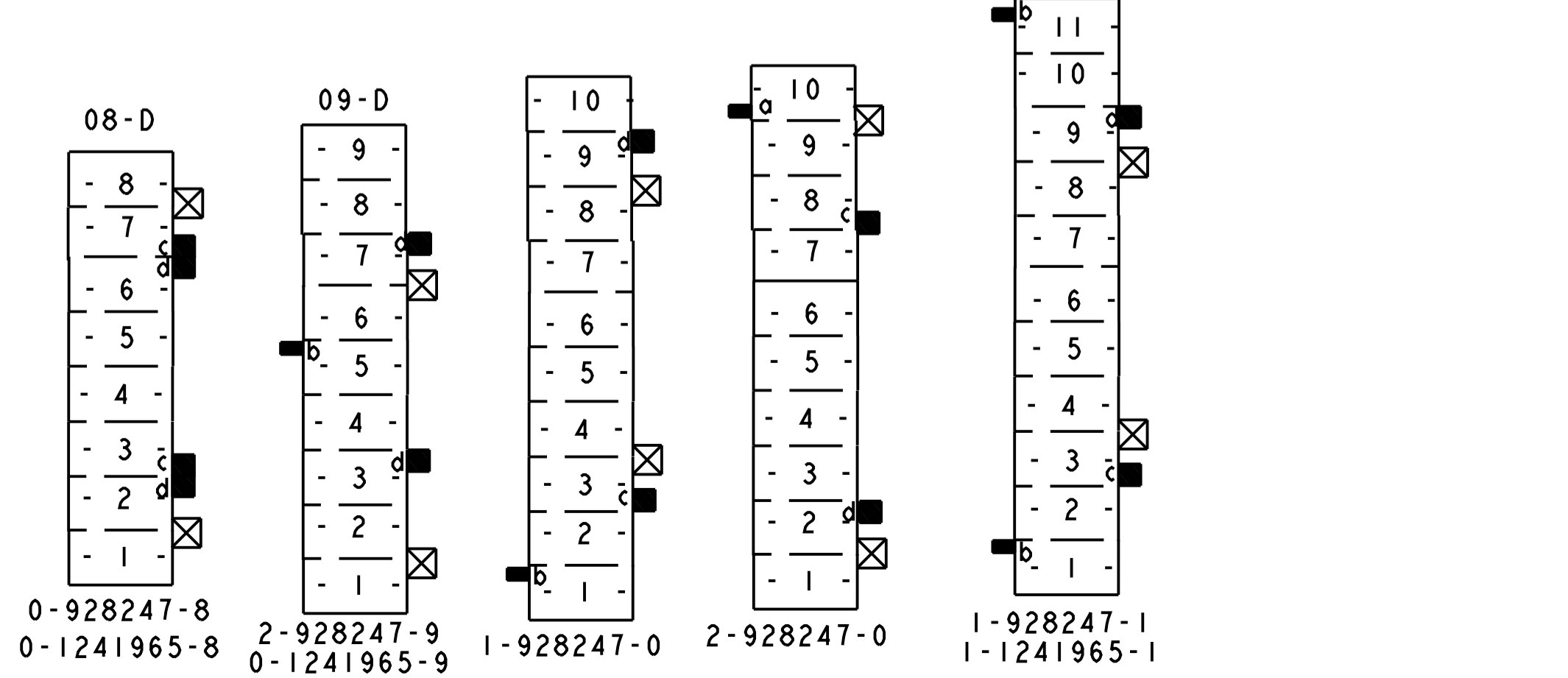
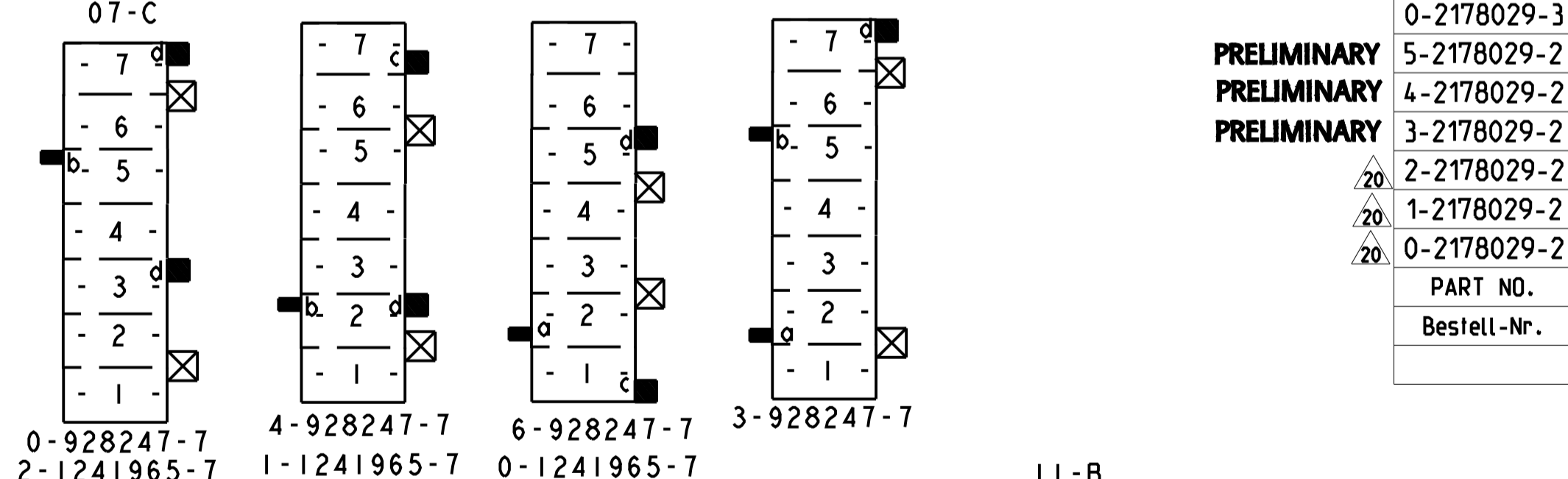
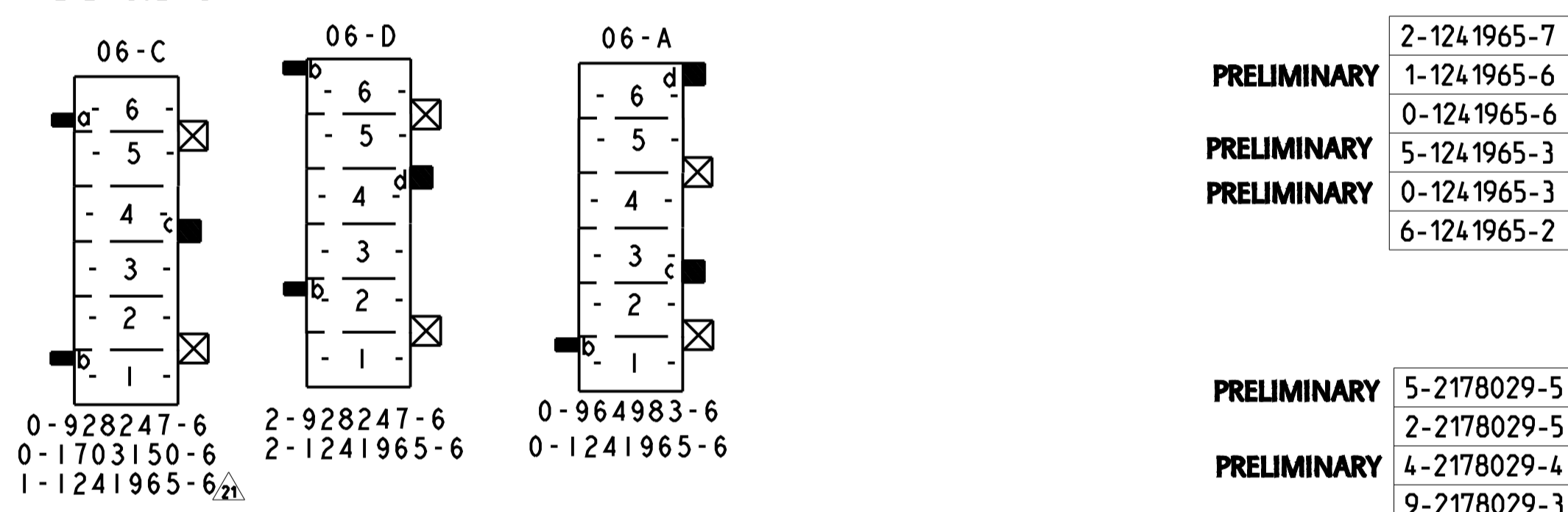
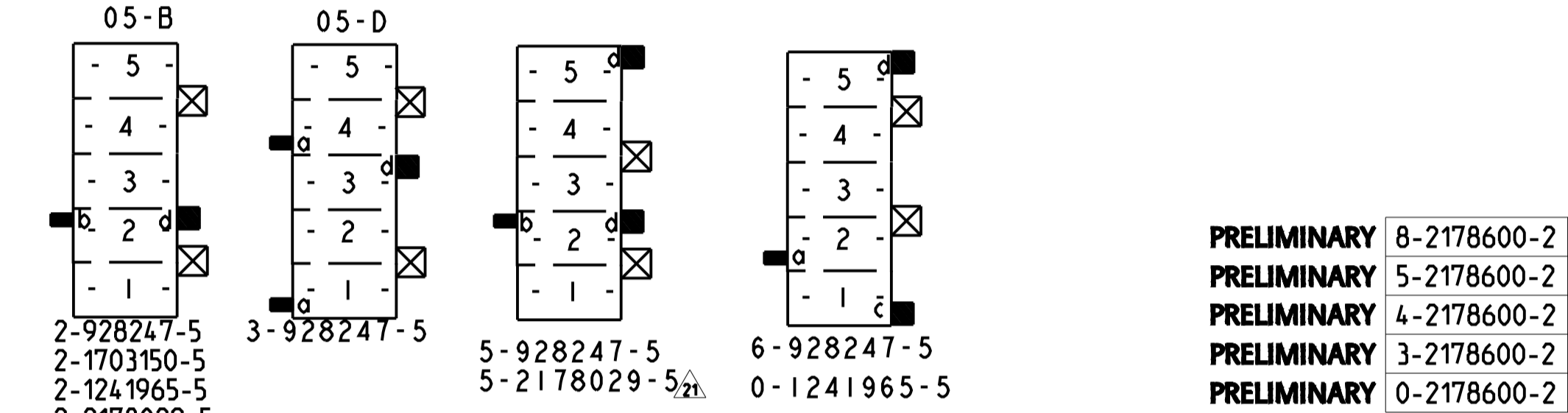
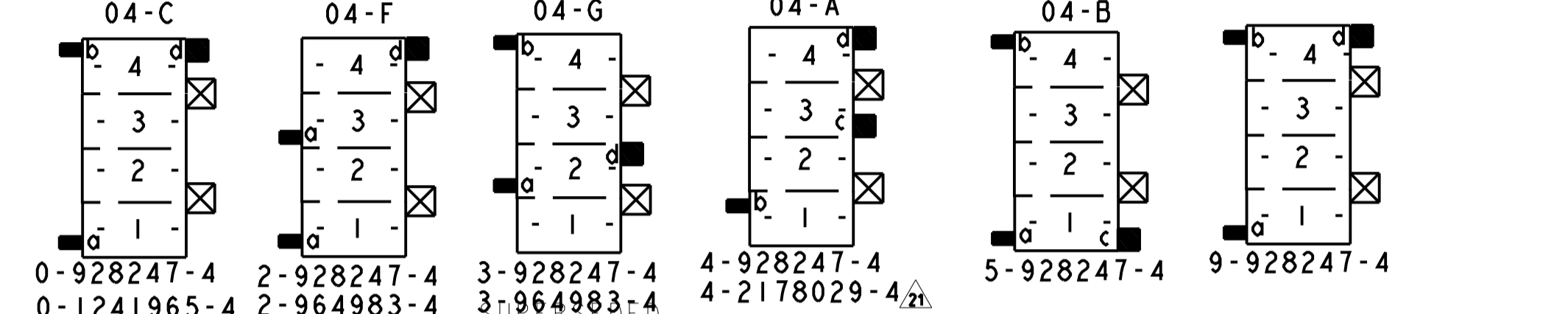
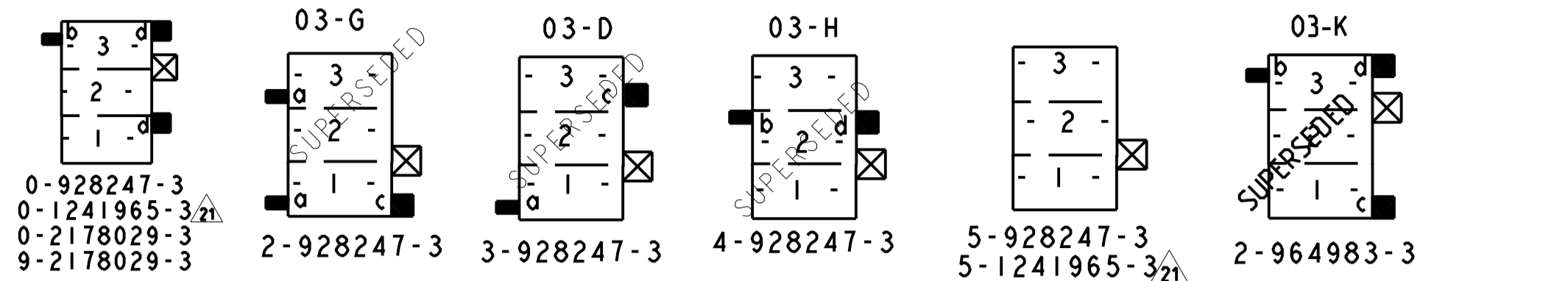
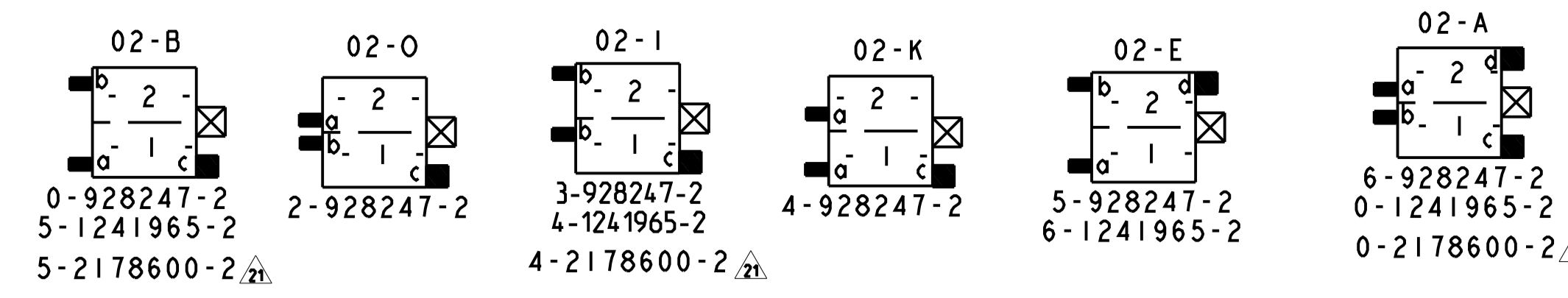


SCALE 2:1

THIS DRAWING IS A CONTROLLED DOCUMENT.		DRW: Kishor. M 07-NOV-06		TE Connectivity	
DIMENSIONS: mm		CHK: K. Mutz 07-NOV-06		NAME: 2-12 POS. STANDARD TIMER HSG. WITH EXTERIOR LOCKING 2-12 Pol. Standard Timer Gehäuse mit Aussenrastung	
TOLERANCES UNLESS OTHERWISE SPECIFIED: ±0.2		APPD: Th. Klemmer 07-NOV-06	PRODUCT SPEC: 108-18049		
MATERIAL: SEE TABLE		FINISH: -	APPLICATION SPEC: -		
WEIGHT: -		SCALE: 5:1	SHEET 1 OF 3		
Customer Drawing		SCALE: 5:1	REV B16		

# KEYING PLAN / Kodierschema

LOC	DIST	REVISONS
A1	-	DESCRIPTION
		SEE SHEET 1 OF 3



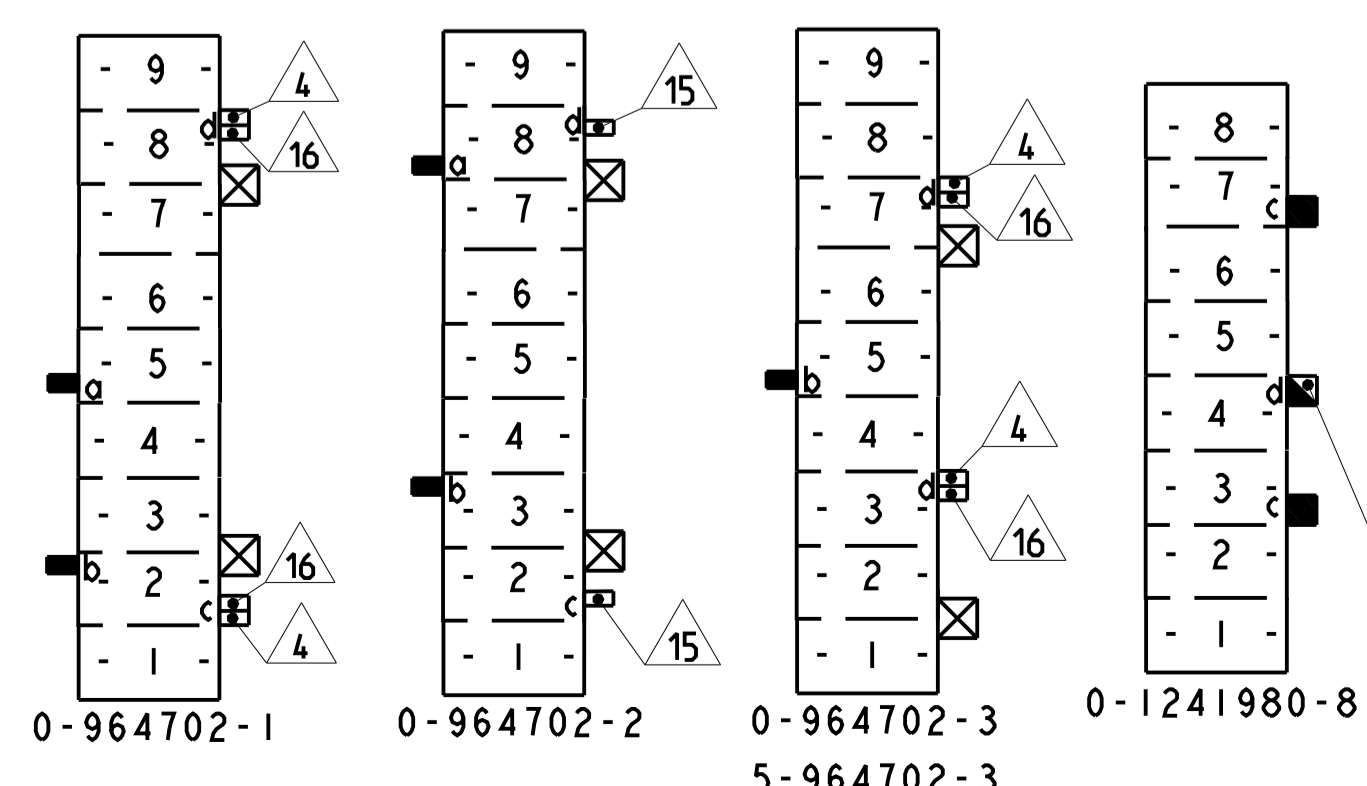
PRELIMINARY	PART NO.	POS.	RAST 5	DIM A	DIM B	COLOUR	MATERIAL	LOCKING LATCH	REV.	MATED WITH
PRELIMINARY	Bestell-Nr.	Pol.	Rast 5	Maß A	Maß B	Farbe		Rasthaken	Rev.	Gegenstecker
PRELIMINARY	8-2178600-2	2	02-C	10	5	NATURAL	PA6 GF15 UL94V-2	B	1	12, 13
PRELIMINARY	5-2178600-2	2	02-B	10	5	BLACK		B	1	12, 13
PRELIMINARY	4-2178600-2	2	02-I	10	5	RED		B	1	12, 13
PRELIMINARY	3-2178600-2	2	02-G	10	5	BLUE		B	1	12, 13
PRELIMINARY	0-2178600-2	2	02-A	10	5	NATURAL		B	1	12, 13

PRELIMINARY	PART NO.	POS.	RAST 5	DIM A	DIM B	COLOUR	MATERIAL	LOCKING LATCH	REV.	MATED WITH
PRELIMINARY	Bestell-Nr.	Pol.	Rast 5	Maß A	Maß B	Farbe		Rasthaken	Rev.	Gegenstecker
PRELIMINARY	2-1241965-7	7	07-C	35	30	NATURAL	PA6 UL94V-2	B	A	12, 13
PRELIMINARY	1-1241965-6	6	06-C	30	25	NATURAL		B	1	12, 13
PRELIMINARY	0-1241965-6	6	06-A	30	25	NATURAL		B	A	12, 13
PRELIMINARY	5-1241965-3	3	-	15	10	NATURAL		A	1	12, 13
PRELIMINARY	0-1241965-3	3	-	15	10	NATURAL		B	1	12, 13
PRELIMINARY	6-1241965-2	2	02-E	10	5	NATURAL		B	A	12, 13

PRELIMINARY	PART NO.	POS.	RAST 5	DIM A	DIM B	COLOUR	MATERIAL	LOCKING LATCH	REV.	MATED WITH
PRELIMINARY	Bestell-Nr.	Pol.	Rast 5	Maß A	Maß B	Farbe		Rasthaken	Rev.	Gegenstecker
PRELIMINARY	5-2178029-5	5	-	25	20	GREEN		B	1	12, 13
PRELIMINARY	2-2178029-5	5	-	25	20	BLACK		B	A	12, 13
PRELIMINARY	4-2178029-4	4	-	20	15	NATURAL		B	1	12, 13
PRELIMINARY	9-2178029-3	3	-	15	10	YELLOW		B	A	12, 13
PRELIMINARY	0-2178029-3	3	-	15	10	NATURAL		B	A	12, 13
PRELIMINARY	5-2178029-2	2	02-B	10	5	NATURAL	PA66 UL94V-0	B	1	12, 13
PRELIMINARY	4-2178029-2	2	02-I	10	5	NATURAL		B	1	12, 13
PRELIMINARY	3-2178029-2	2	02-K	10	5	NATURAL		B	1	12, 13
PRELIMINARY	2-2178029-2	2	02-B	10	5	BLACK		B	A	12, 13
PRELIMINARY	1-2178029-2	2	02-I	10	5	RED		B	A	12, 13
PRELIMINARY	0-2178029-2	2	02-K	10	5	GREEN		B	A	12, 13

PART NO.	POS.	RAST 5	DIM A	DIM B	COLOUR	MATERIAL	LOCKING LATCH	REV.	MATED WITH
Bestell-Nr.	Pol.	Rast 5	Maß A	Maß B	Farbe		Rasthaken	Rev.	Gegenstecker

## SPECIAL VERSIONS SEE SHEET 3 OF 3

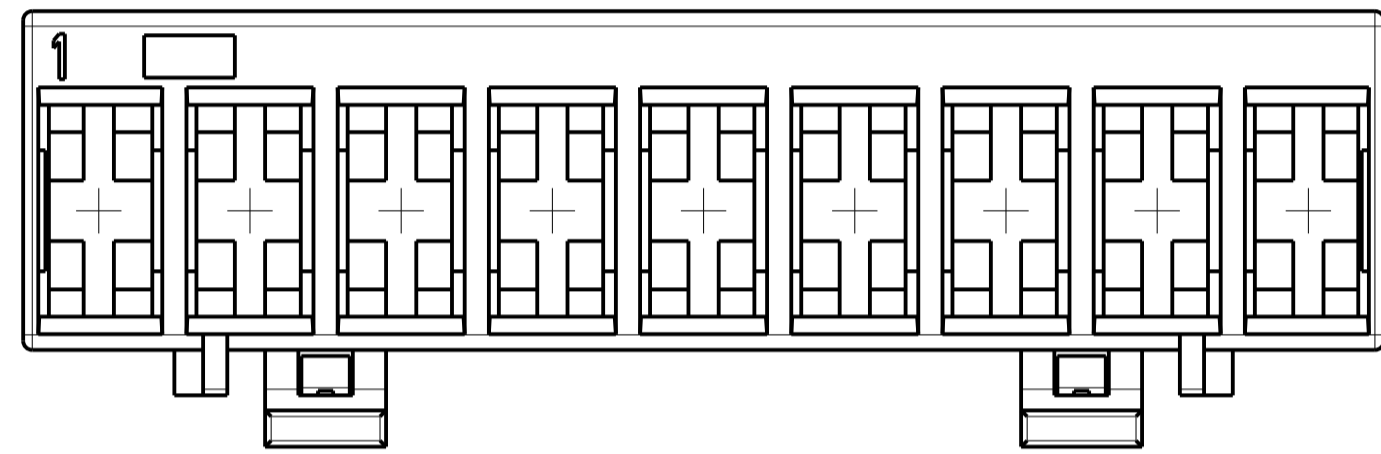
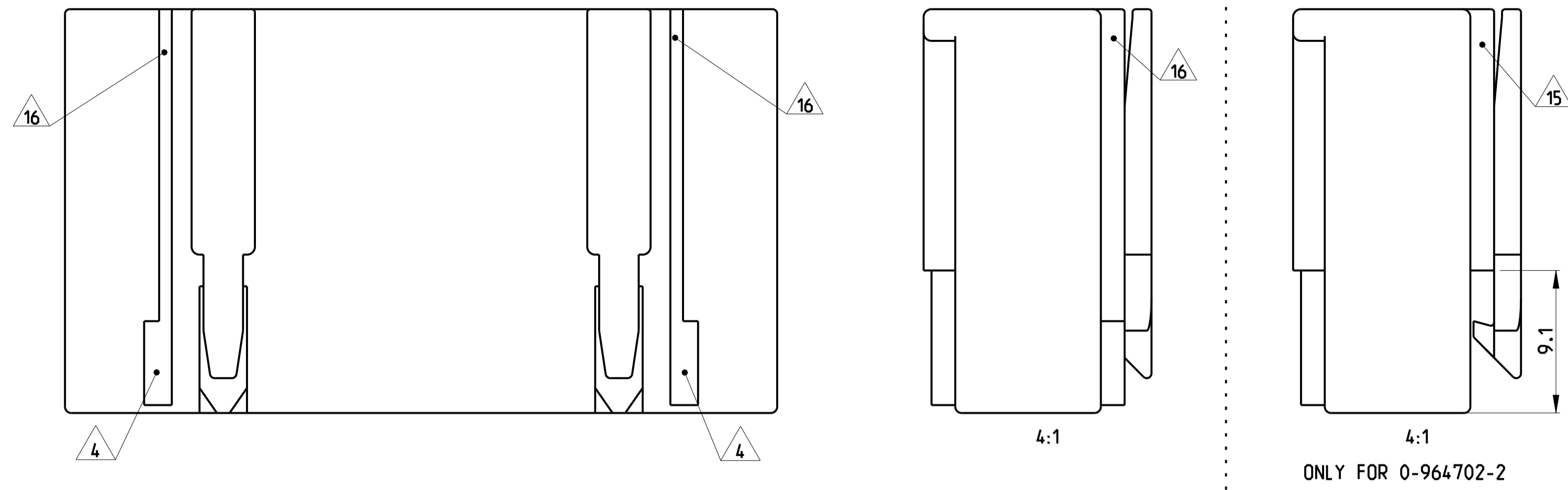


COLOUR	SUPERSEDED BY PN:	PART NO.	POS.	RAST 5	DIM A	DIM B	COLOUR	MATERIAL	LOCKING LATCH	REV.	MATED WITH
Bestell-Nr.	Pol.	Rast 5	Maß A	Maß B	Farbe			Rasthaken	Rev.	Gegenstecker	
NATURE	1-969484-7	4	02-B	15	10	BROWN/braun		A			12, 13
NATURE	1-969484-8	3	02-D	15	10	BLUE/blau		A			12, 13
NATURE	3-969484-7	3	03-G	15	10	VIOLET/violett (lila)		A			12, 13
		0-928247-3	3	-	15	10	YELLOW/gelb	UL94V-2	B		12, 13
		9-928247-2	2	-	10	5	NATURE/natur		B		12, 13
		8-928247-2	2	02-C	10	5	GREY/grau		B		12, 13
NATURE	0-969484-3	7	02-P	10	5	PURPLE/rot		A			12, 13
		6-928247-2	2	02-A	10	5	NATURE/natur		B		12, 13
		5-928247-2	2	02-E	10	5	GREEN/grün		B		12, 13
		4-928247-2	2	02-K	10	5	YELLOW GREEN/gelbgrün		B		12, 13
		3-928247-2	2	02-I	10	5	ORANGE/orange		A		12, 13
		2-928247-2	2	02-O	10	5	PINK/rosa		A		12, 13
		0-928247-2	2	02-B	10	5	BLACK/schwarz		B		12, 13
		0-964702-3	9	-	45	40	NATURE/natur	UL94V-2	C		E
		0-964702-2	9	-	45	40	BLACK/schwarz		C		E
		0-964702-1	9	-	45	40	NATURE/natur		C		E
		0-964983-6	6	06-A	30	25	WHITE/weiß	UL94V-2	B		D
		3-1241817-4	4	04-G	20	15	GREY/grau		B		12, 13
		2-964983-4	4	04-F	20	15	ORANGE/orange		B		12, 13
		2-1241817-3	3	03-K	15	10	GREEN/grün		B		12, 13
		3-964983-2	2	02-M	10	5	VIOLET/violett (lila)		B		12, 13
		2-964983-2	2	02-G	10	5	BLUE/blau		B		12, 13
		0-964983-2	2	02-D	10	5	BLACK/schwarz		B		12, 13
		1-1241965-1	11	11-B	55	50	NATURE/natur		B		12, 13
		0-1241965-9	9	09-D	45	40	NATURE/natur		B		12, 13
		0-1241965-8	8	08-D	40	35	NATURE/natur		B		12, 13
		1-1241965-7	7	-	35	30	NATURE/natur		B		12, 13
		0-1241965-7	7	-	35	30	NATURE/natur		B		12, 13
		2-1241965-6	6	06-D	30	25	NATURE/natur		B		12, 13
		2-1241965-5	5	05-B	25	20	NATURE/natur	UL94V-2	B		B
		0-1241965-4	4	04-C	20	15	NATURE/natur		B		12, 13
		9-1241965-2	2	-	10	5	NATURE/natur		B		12, 13
		5-1241965-2	2	02-B	10	5	BLACK/schwarz		B		12, 13
		4-1241965-2	2	02-I	10	5	RED/rot		B		12, 13
		3-1241965-2	2	02-G	10	5	BLUE/blau		B		12, 13
		0-1241965-2	2	02-A	10	5	NATURE/natur		B		12, 13
		1-928247-1	11	11-B	55	50	YELLOW/gelb		B		12, 13
		2-928247-0	10	-	50	45	GREY/grau		B		12, 13
		1-928247-0	10	-	50	45	BROWN/braun		B		12, 13
		2-928247-9	9	09-D	45	40	BLUE/blau	UL94V-2	B		964703-3, 12, 13
		0-928247-8	8	08-D	40	35	BLUE/blau		B		12, 13
		6-928247-7	7	-	35	30	GREEN/grün		A		12, 13
		4-928247-7	7	-	35	30	NATURE/natur		A		12, 13
		3-928247-7	7	-	35	30	NATURE/natur	UL94V-0	A		12, 13
		0-928247-7	7	07-C	35	30	GREY/grau		B		12, 13
		2-928247-6	6	06-D	30	25	BLUE/blau		B		12, 13
		0-1703150-6	6	06-C	30	25	GREY/grau		A		12, 13
		0-928247-6	6	06-C	30	25	GREY/grau		B		12, 13
		6-928247-5	5	-	25	20	NATURE/natur	UL94V-2	B		12, 13
		5-928247-5	5	-	25	20	GREEN/grün		B		12, 13
		3-928247-5	5	05-D	25	20	BLUE/blau		A		12, 13
		2-1703150-5	5	05-B	25	20	BLACK/schwarz		A		12, 13
		2-928247-5	5	05-B	25	20	BLACK/schwarz		B		12, 13
		9-928247-4	4	-	20	15	NATURE/natur	UL94V-0	A		12, 13
		5-928247-4	4	04-B	20	15	BLACK/schwarz		A		12, 13
		4-928247-4	4	04-A	20	15	NATURE/natur		B		12, 13
		3-928247-4	4	04-G	20	15	VIOLET/violett (lila)		B		12, 13
		2-928247-4	4	04-F	20	15	WHITE/weiß		B		12, 13
		0-928247-4	4	04-C	20	15	GREY/grau		B		12, 13
		5-928247-3	3	-	15	10	NATURE/natur		A		12, 13

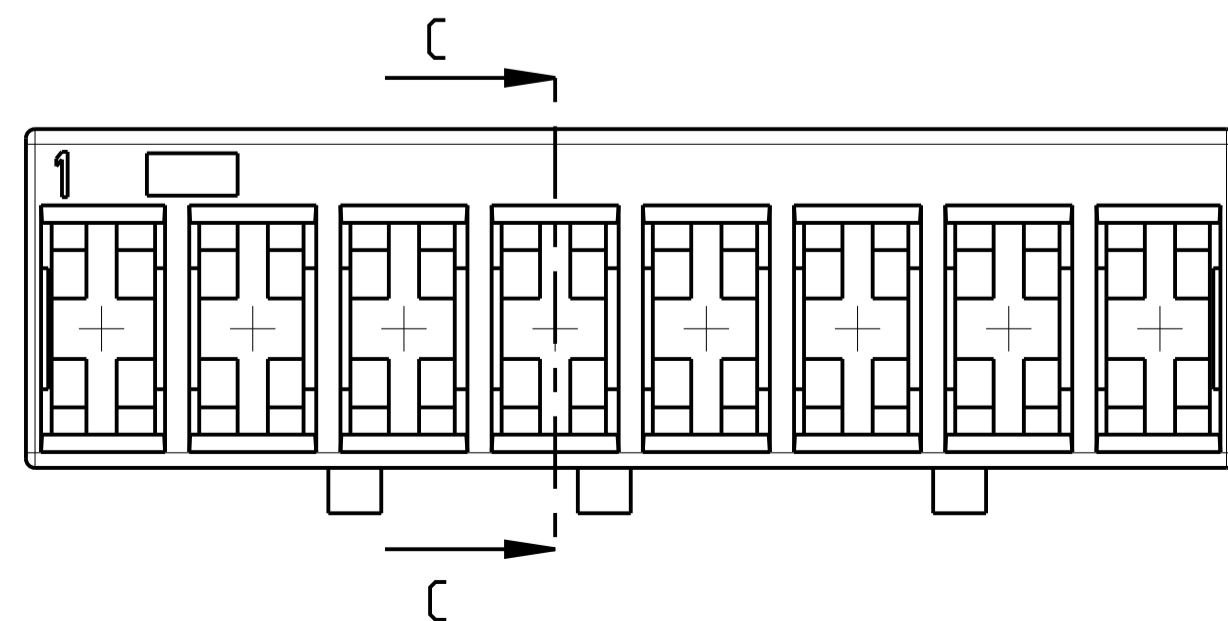
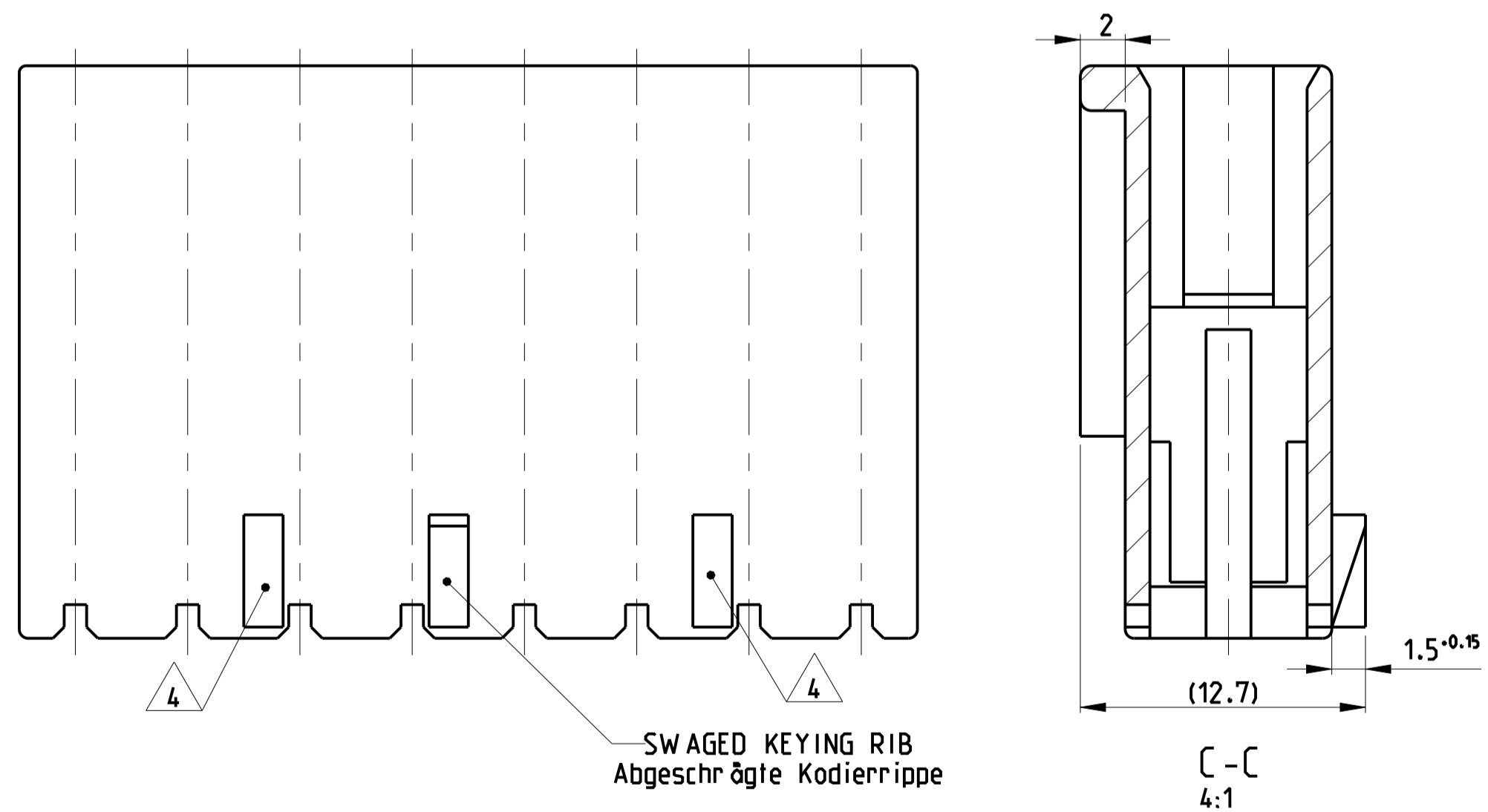
THIS DRAWING IS A CONTROLLED DOCUMENT. DIMENSIONS: mm. TOLERANCES UNLESS OTHERWISE SPECIFIED: ±0.2. MATERIAL: SEE TABLE. FINISH: -.

Customer Drawing. SCALE: 5:1. SHEET 2 OF 3. REV B16.

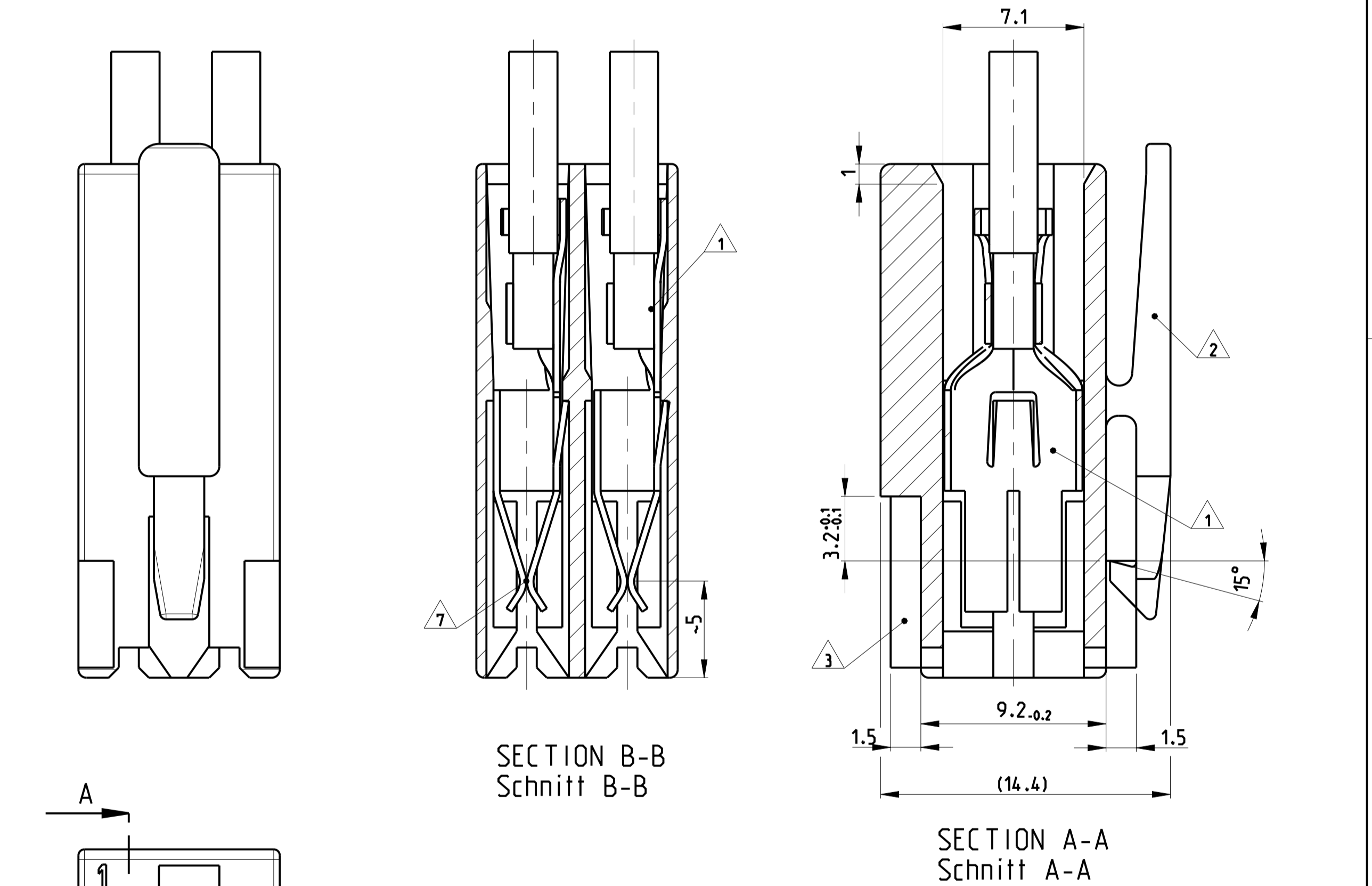
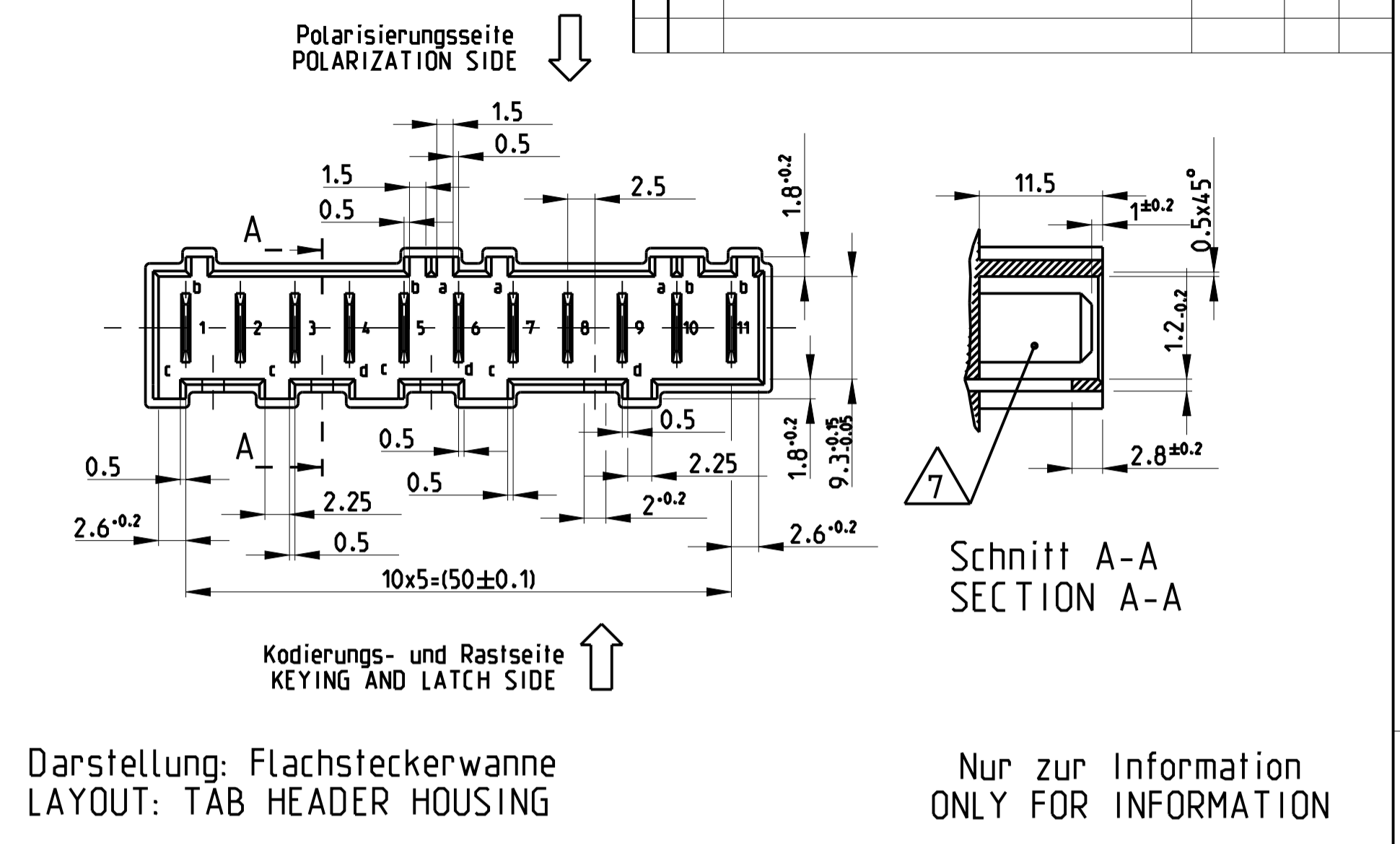
SPECIAL VERSIONS 15 16  
9 POS STD. TIMER HSG. WITH TANGLING PROTECTION



SPECIAL VERSION 18  
8 POS SPECIAL STD. TIMER HSG.



LOC		DIST		REVISIONS			
A	1	P	LTR	DESCRIPTION	DATE	DWN	APVD
-	-	-	-	SEE SHEET 1 OF 3	-	-	-



THIS DRAWING IS A CONTROLLED DOCUMENT.		Dwn: Kishor M 07-NOV-06	TE Connectivity
DIMENSIONS: mm		Chg: K. Mutz 07-NOV-06	
TOLERANCES UNLESS OTHERWISE SPECIFIED: ±0.2		APVD: Th. Klenner 07-NOV-06	NAME: 2-12 POS. STANDARD TIMER HSG. WITH EXTERIOR LOCKING
MATERIAL: SEE TABLE		PRODUCT SPEC: 108-18049	2-12 Pol. Standard Timer Gehäuse mit Aussenrastung
FINISH: -		APPLICATION SPEC: -	SIZE: A1
ANGLES: -		WEIGHT: -	SCALE: 5:1
CUSTOMER DRAWING		DRAWING NO: C=1241965	SHEET 3 OF 3
			REV B16