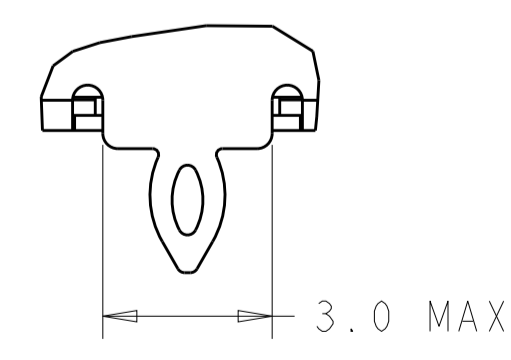
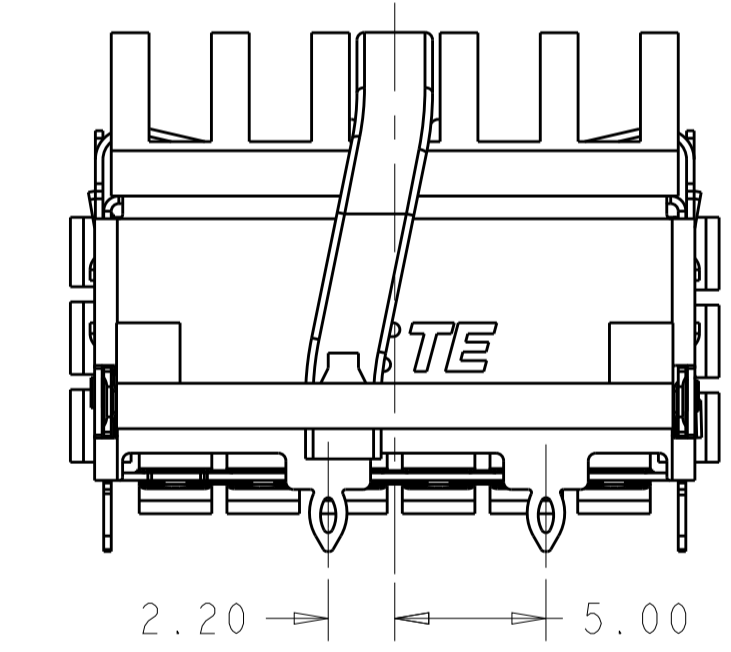
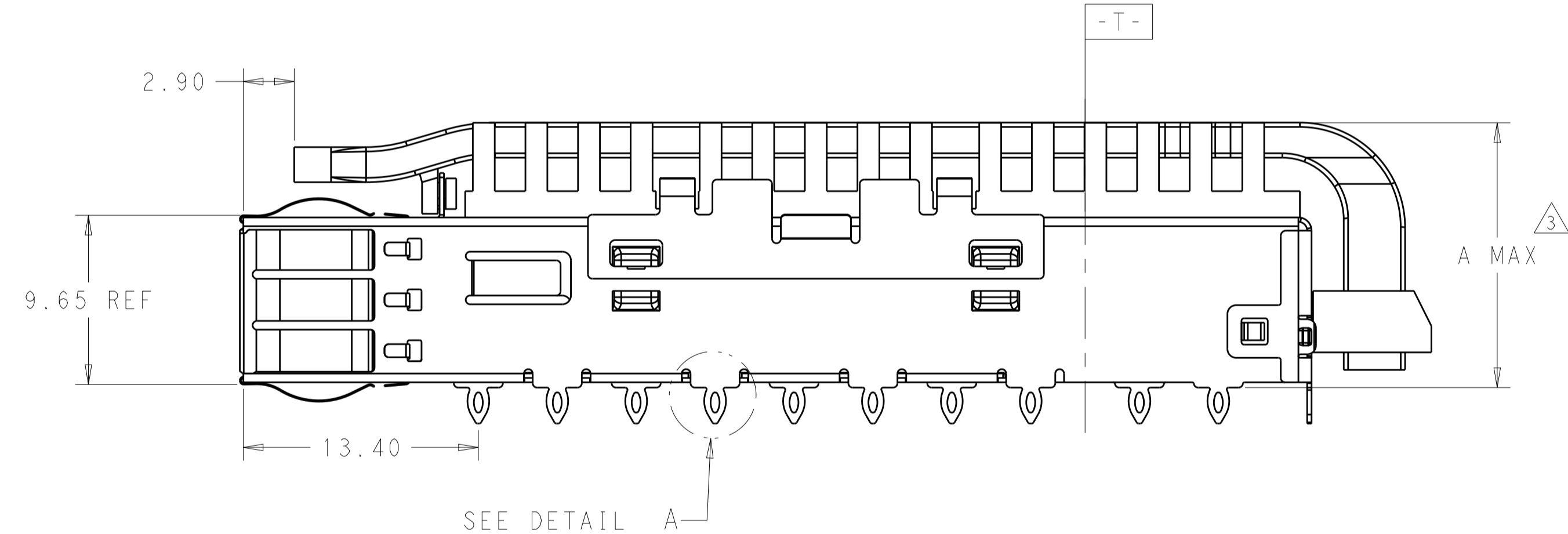
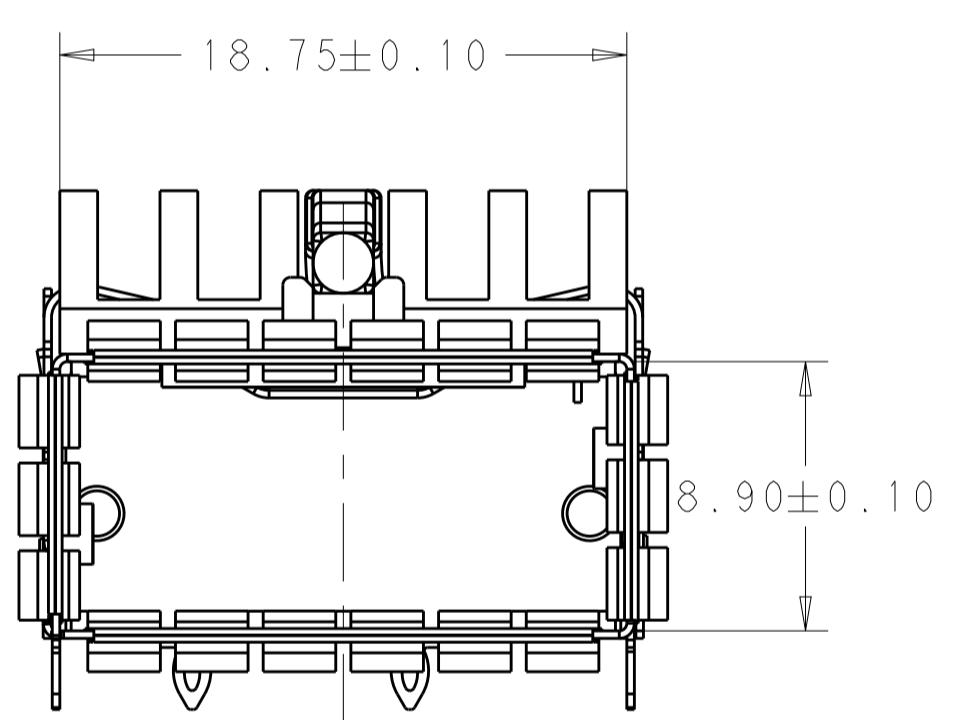
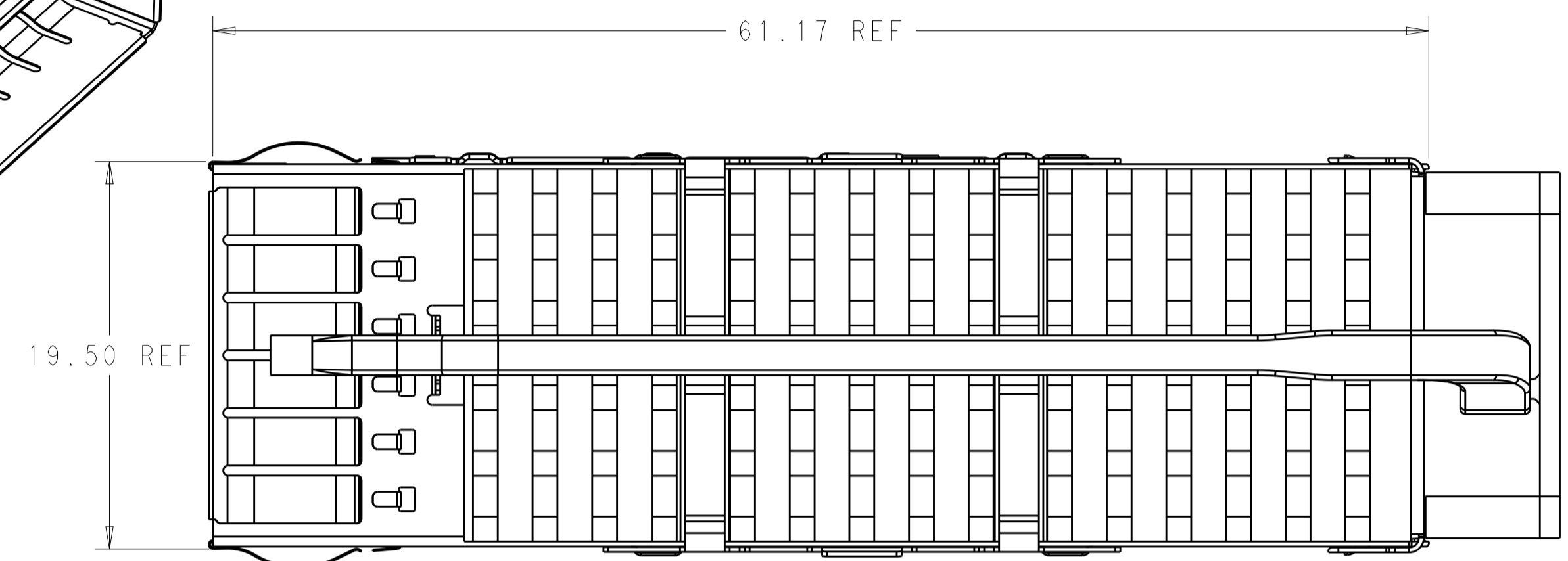
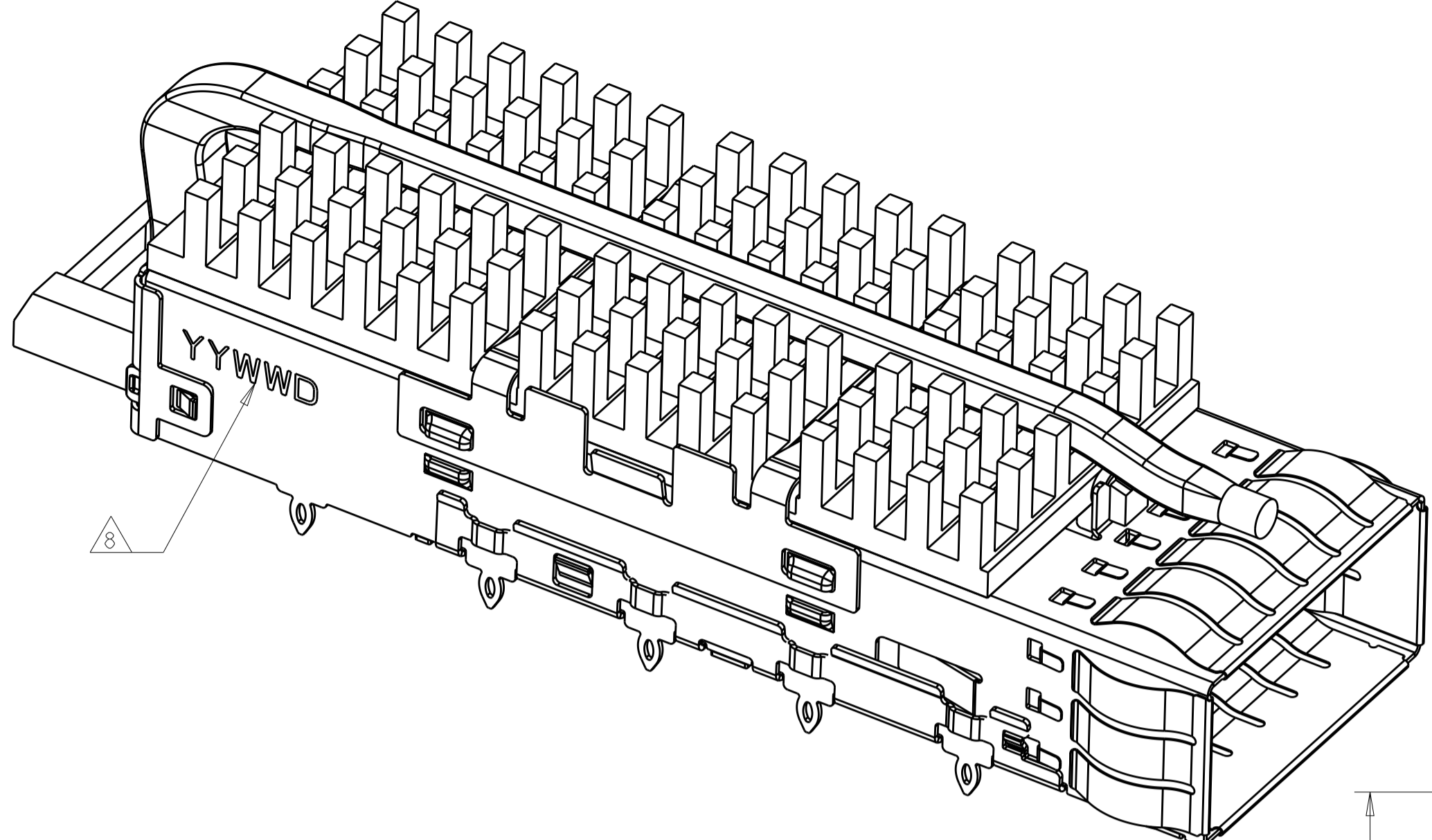
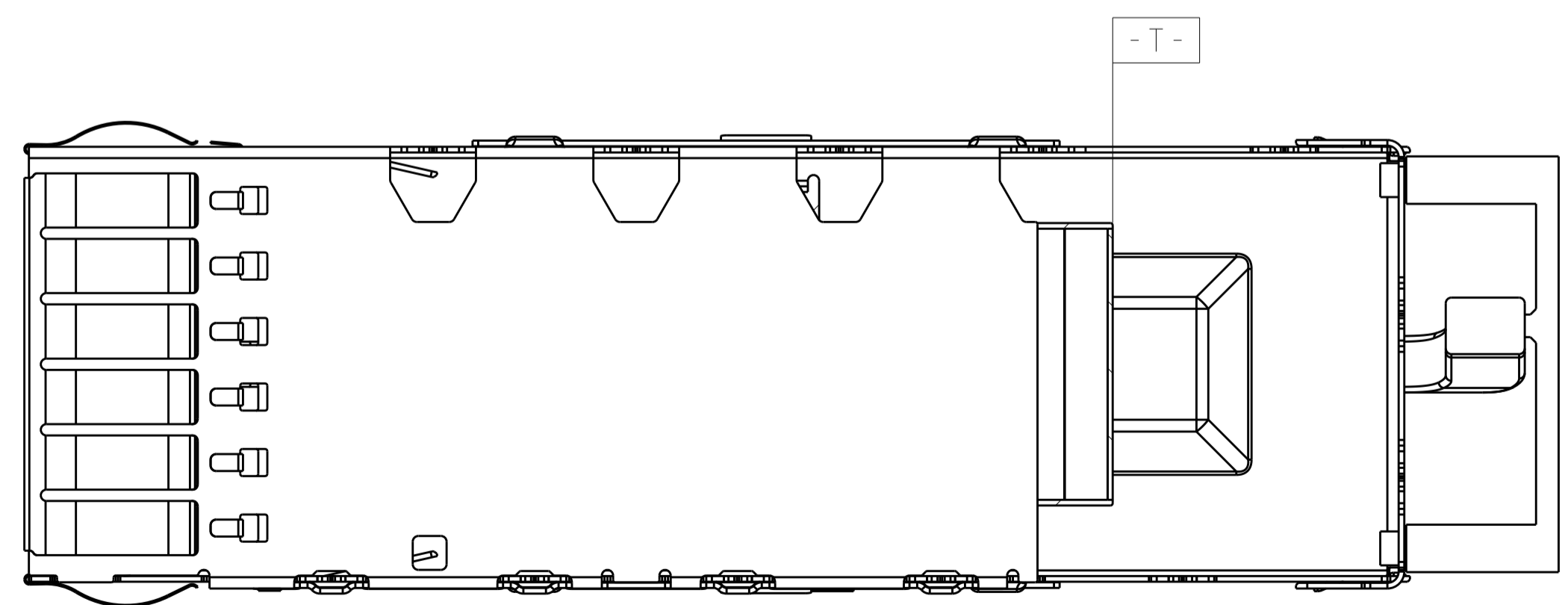


LOC		DIST		REVISIONS			
		P	LTN	DESCRIPTION	DATE	DMN	APVD
		1		PRELIMINARY	14OCT2013	JY	-
		2		UPDATE MIN PITCH IN BEZEL	25JUN2014	JY	-



DETAIL A
SCALE 8:1



- MATERIAL:
 CAGE MATERIAL : 0.25 THICK NICKEL SILVER.
 SPRING MATERIAL : COPPER ALLOY
 HEAT SINK MATERIAL : ALUMINUM
 CLIP MATERIAL : STAINLESS STEEL
 LIGHT PIPE MATERIAL : POLYCARBONATE WITH 94 V-0
 ORGANIZER MATERIAL : POLYESTER WITH 94 V-0
 - FINISH:
 SPRING : NICKEL PLATING
 HEAT SINK : BLACK ANODIZE
- ⚠️ DIMENSION APPLIES WITH MODULE INSTALLED IN THE CAGE TO TOP OF HEAT SINK.
- ⚠️ REFERENCE APPLICATION SPEC 114-***** FOR RECOMMENDED DRILL HOLE DIAMETER AND PLATING THICKNESS.
- ⚠️ DATUM AND BASIC DIMENSIONS ESTABLISHED BY CUSTOMERS.
6. MINIMUM PC BOARD THICKNESS : SINGLES SIDED: 1.57 MIN
 DOUBLE SIDED: 3.00 MIN
- ⚠️ DATUM **-A-** IS TOP SURFACE OF THE HOST BOARD.
- ⚠️ DATE CODE (YYWWD) MARKED APPROXIMATELY AS SHOWN
9. MATES WITH QSFP28 MSA COMPATIBLE TRANSCEIVER.

DESIGN APPROVED THIS PRINT IS
PRELIMINARY
 TO FIRST PIECE APPROVAL
 CONTACT PRODUCT ENGINEERING
 BEFORE USING THIS PRINT

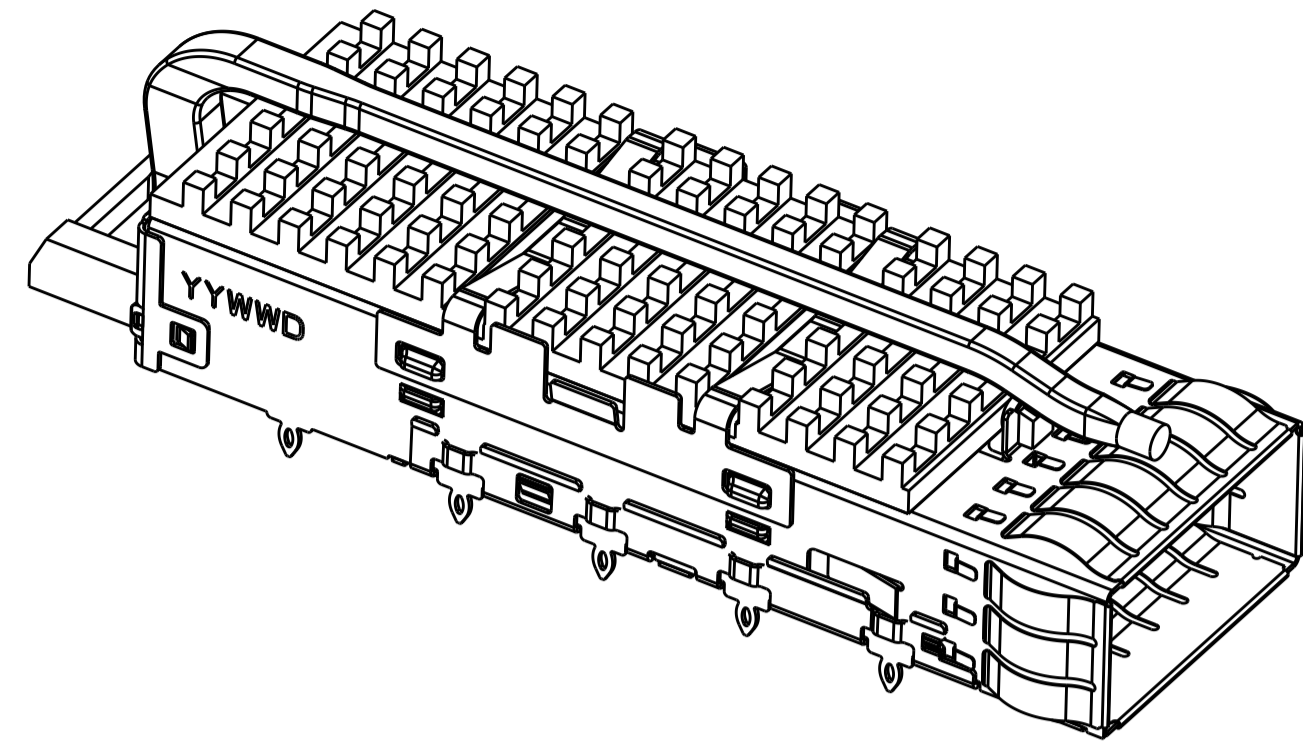
2170705-2 AS SHOWN

THIS DRAWING IS A CONTROLLED DOCUMENT.		DMN	JASON YANG	07MAR2014
DIMENSIONS:		CHK	JASON YANG	07MAR2014
mm		APVD	DYMAR2014	NAME
TOLERANCES UNLESS OTHERWISE SPECIFIED:		PRODUCT SPEC		
0 PLC ±0.25		APPLICATION SPEC		
1 PLC ±0.25		SIZE		
2 PLC ±0.20		CAGE CODE		
3 PLC ±0.100		DRAWING NO		
4 PLC ±		RESTRICTED TO		
ANGLES ±		WEIGHT		
FINISH		MATERIAL		
		Customer Drawing		

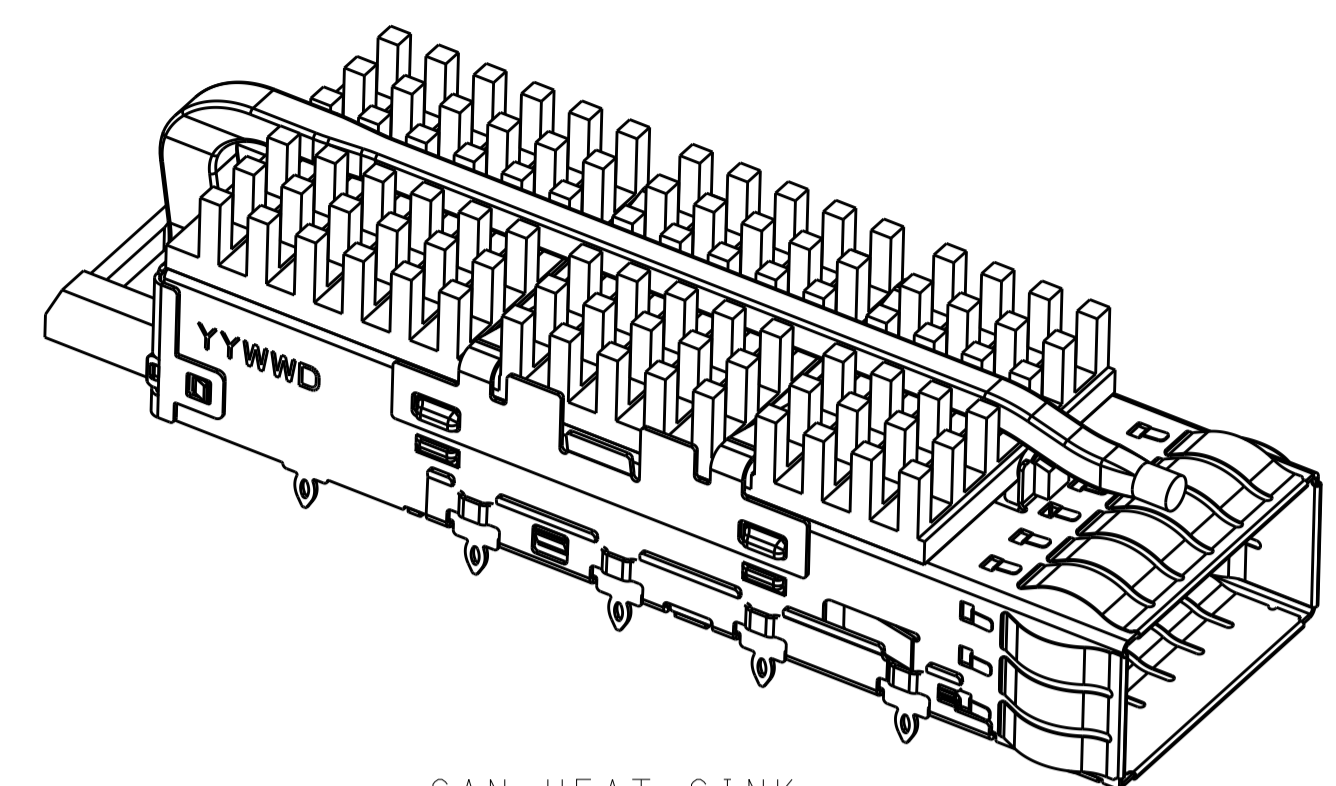
SCALE 4:1 SHEET 1 OF 7 REV 2

LOC	DIST	REV	DATE	BY	APPV
-	-	-	-	-	-
SEE SHEET 1					

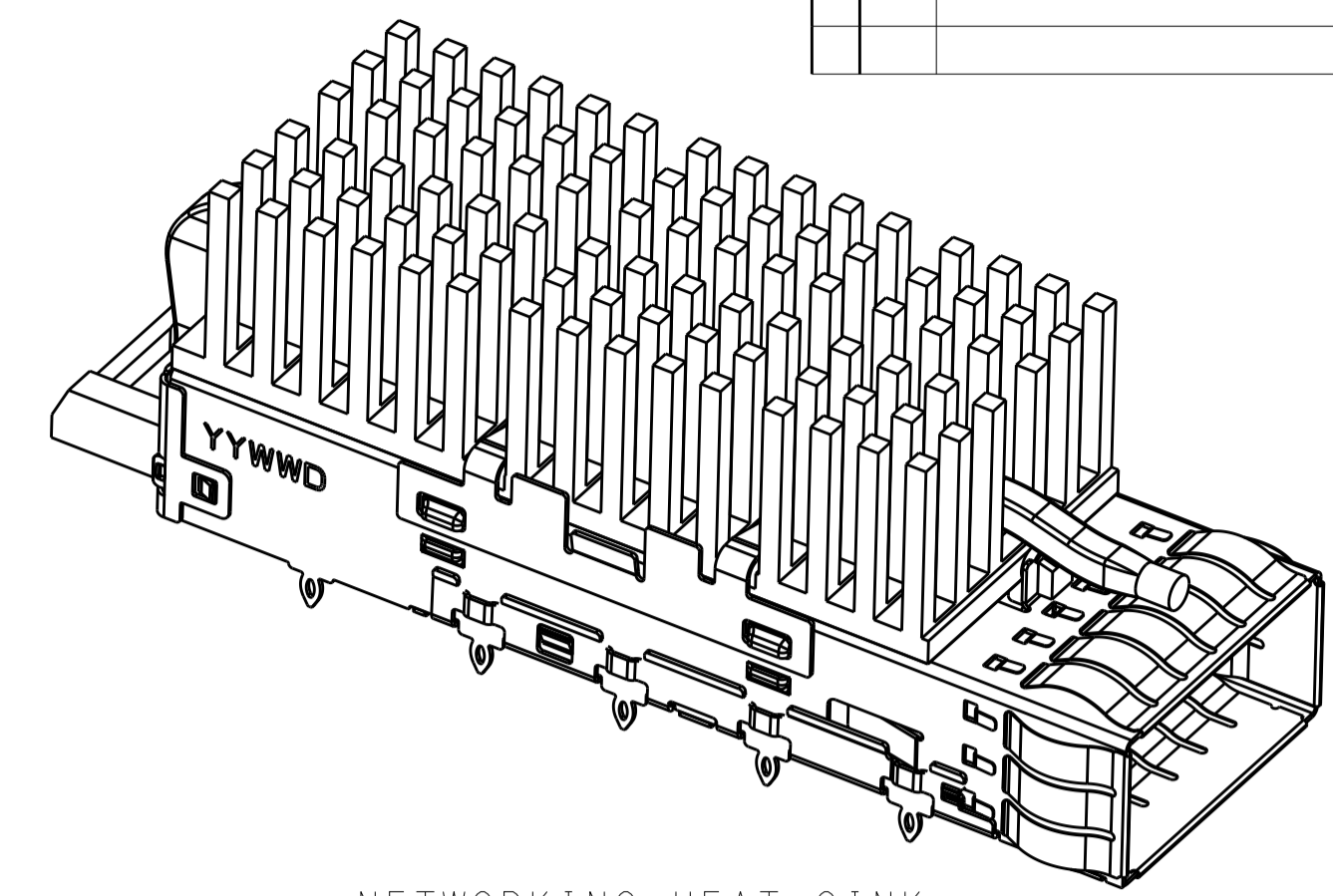
HEAT SINK OPTIONS



PCI HEAT SINK
SCALE 5:2

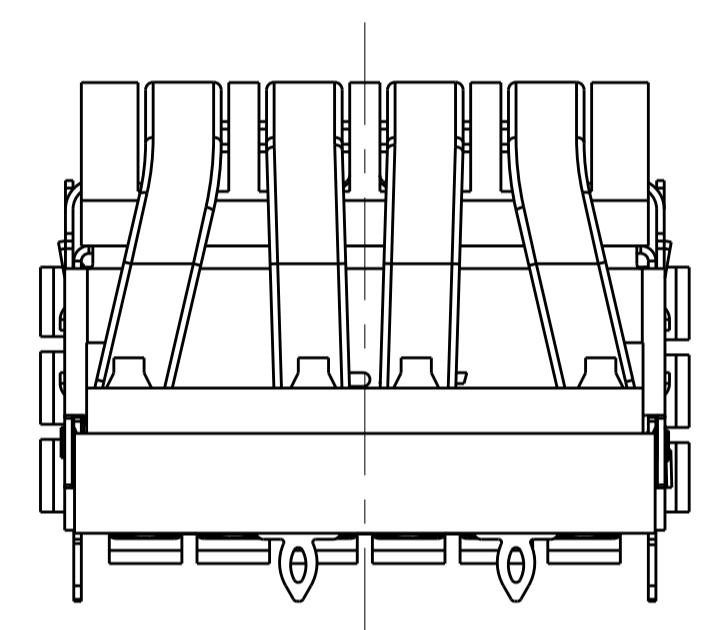


SAN HEAT SINK
SCALE 5:2

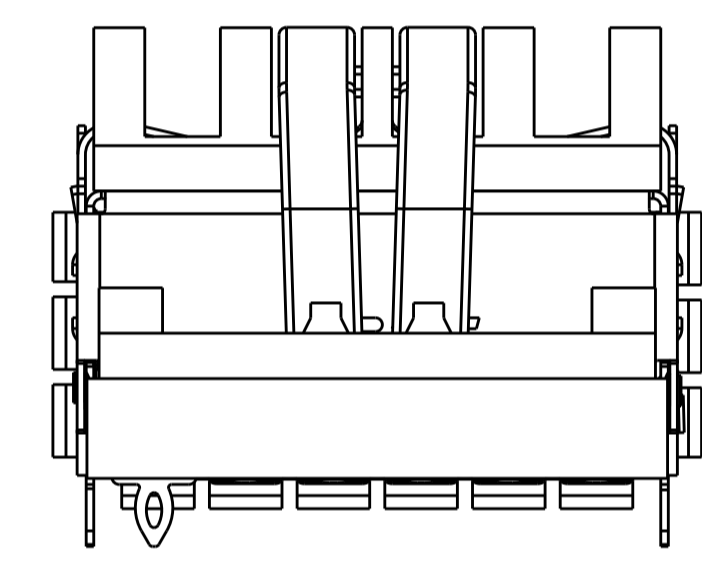


NETWORKING HEAT SINK
SCALE 5:2

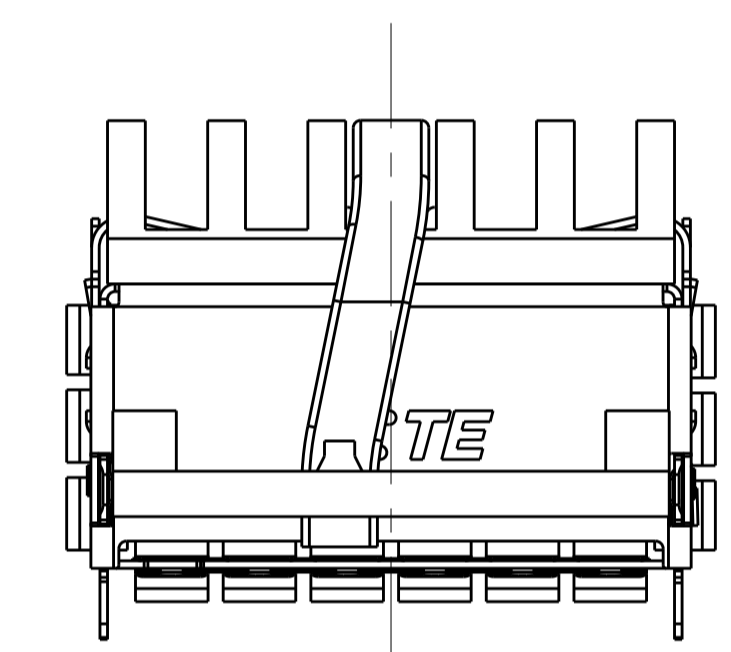
OF REAR LEGS OPTIONS



2 REAR LEGS
SCALE 4:1

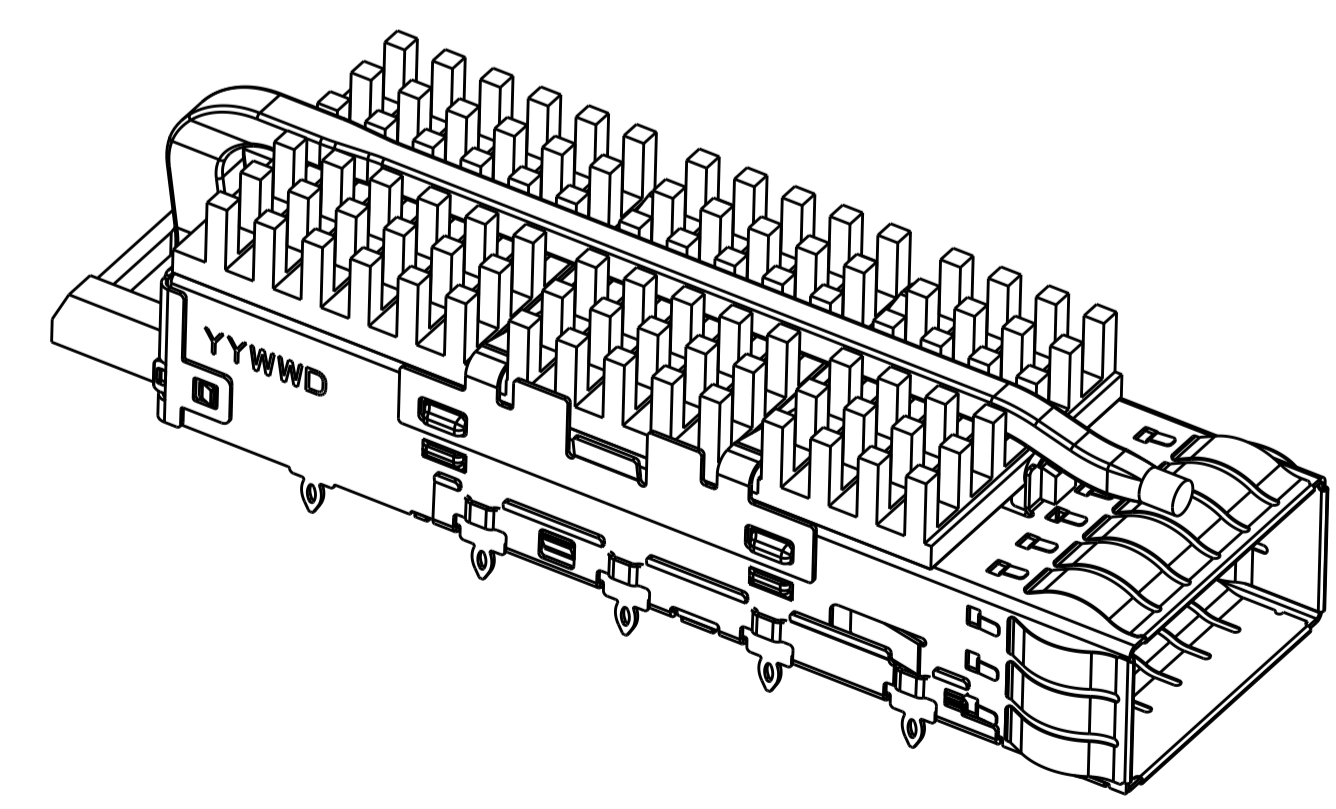


1 REAR LEG
SCALE 4:1

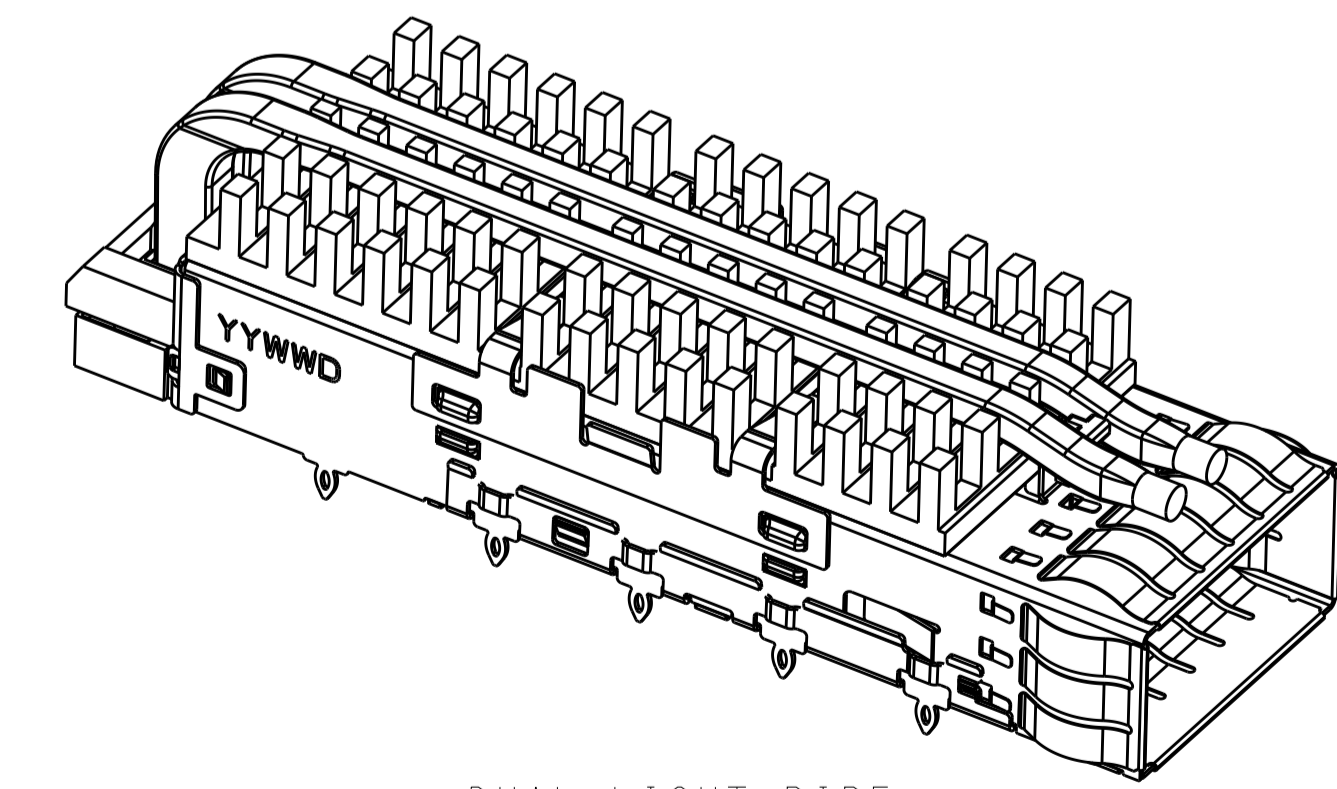


0 REAR LEG
SCALE 4:1

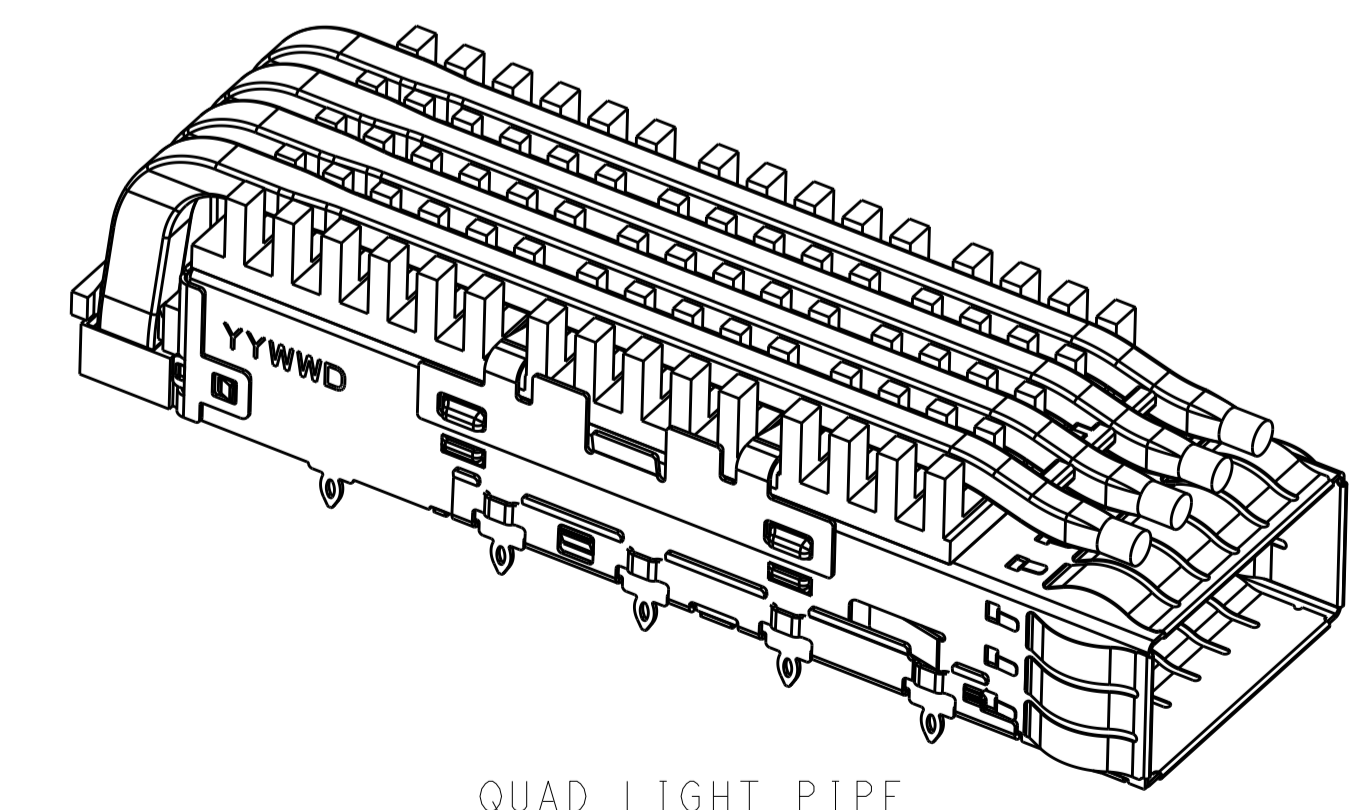
LIGHT PIPE OPTIONS



SINGLE LIGHT PIPE
SCALE 5:2



DUAL LIGHT PIPE
SCALE 5:2




QUAD LIGHT PIPE
SCALE 5:2

THIS DRAWING IS A CONTROLLED DOCUMENT.		OWN: JASON YANG 07MAR2014	TE Connectivity
DIMENSIONS: mm		CHK: JASON YANG 07MAR2014	
TOLERANCES UNLESS OTHERWISE SPECIFIED:		APVD: JASON YANG 07MAR2014	NAME: CAGE ASSEMBLY, QSFP28, THRU BEZEL WITH EMI SPRING FINGER HEAT SINK, LIGHT PIPE SIZE: A100779 C=2170705 RESTRICTED TO:
0 PLC ±0.25 1 PLC ±0.25 2 PLC ±0.25 3 PLC ±0.100 4 PLC ± ANGLES ±°		PRODUCT SPEC	
MATERIAL		APPLICATION SPEC	WEIGHT
FINISH		Customer Drawing	SCALE 4:1 SHEET 2 OF 7 REV 2

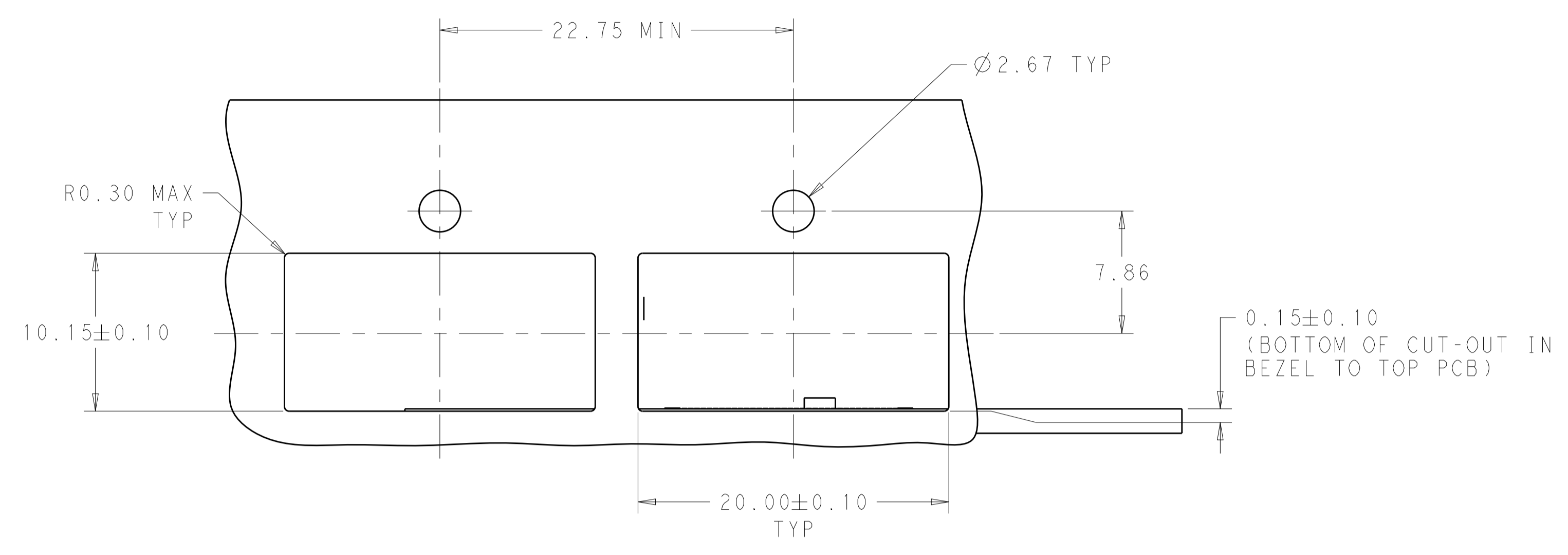
LOC		DIST		REVISIONS			
P	LTN	DESCRIPTION	DATE	DWN	APVD		
-	-	SEE SHEET 1	-	-	-		

BOM

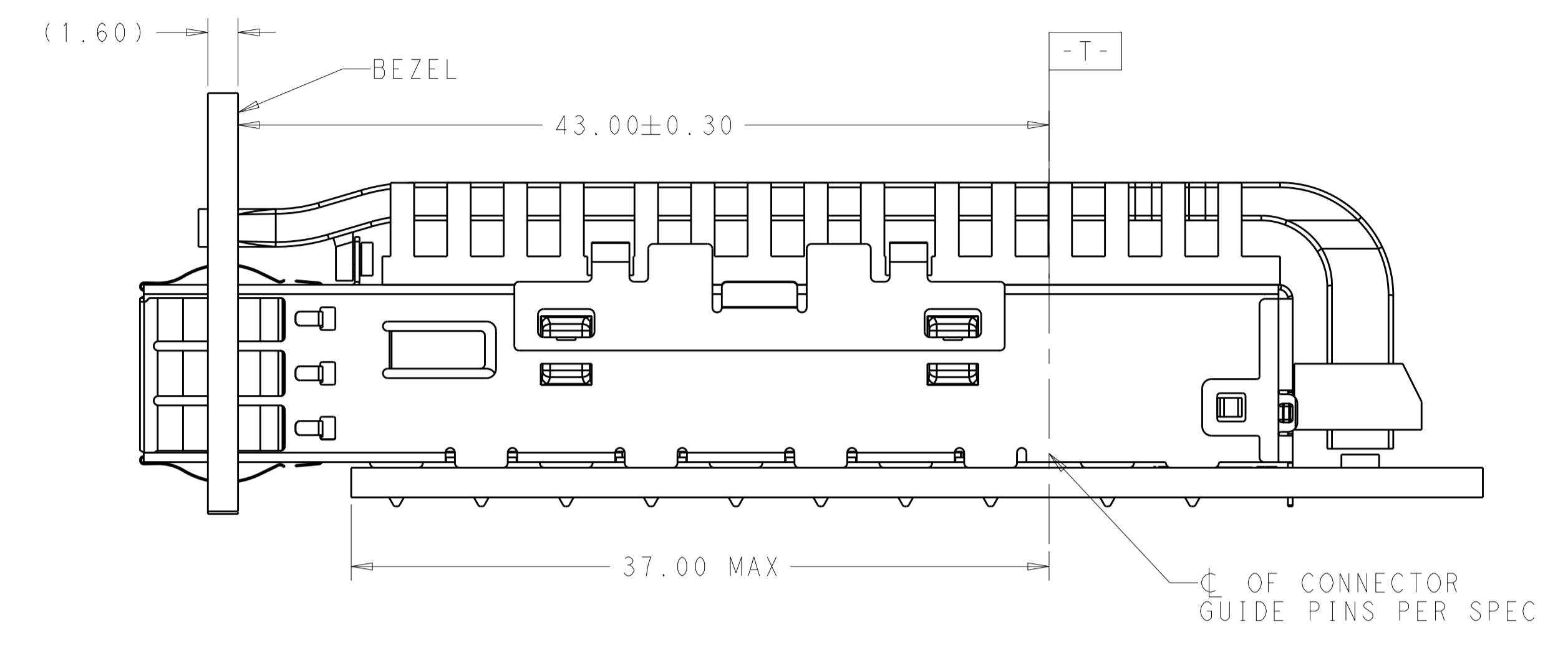
1	23.0	NETWORKING	QUAD	4-2170705-9
1	16.0	SAN	QUAD	4-2170705-8
1	13.7	PCI	QUAD	4-2170705-7
0	23.0	NETWORKING	QUAD	4-2170705-6
0	16.0	SAN	QUAD	4-2170705-5
0	13.7	PCI	QUAD	4-2170705-4
2	23.0	NETWORKING	QUAD	4-2170705-3
2	16.0	SAN	QUAD	4-2170705-2
2	13.7	PCI	QUAD	4-2170705-1
1	23.0	NETWORKING	DUAL	2-2170705-9
1	16.0	SAN	DUAL	2-2170705-8
1	13.7	PCI	DUAL	2-2170705-7
0	23.0	NETWORKING	DUAL	2-2170705-6
0	16.0	SAN	DUAL	2-2170705-5
0	13.7	PCI	DUAL	2-2170705-4
2	23.0	NETWORKING	DUAL	2-2170705-3
2	16.0	SAN	DUAL	2-2170705-2
2	13.7	PCI	DUAL	2-2170705-1
1	23.0	NETWORKING	SINGLE	2170705-9
1	16.0	SAN	SINGLE	2170705-8
1	13.7	PCI	SINGLE	2170705-7
0	23.0	NETWORKING	SINGLE	2170705-6
0	16.0	SAN	SINGLE	2170705-5
0	13.7	PCI	SINGLE	2170705-4
2	23.0	NETWORKING	SINGLE	2170705-3
2	16.0	SAN	SINGLE	2170705-2
2	13.7	PCI	SINGLE	2170705-1
# REAR PINS	DIM A	APPLICATION (HEAT SINK OPTION)	LIGHT PIPE OPTION	PART NUMBER

THIS DRAWING IS A CONTROLLED DOCUMENT.		DWN	JASON YANG	07MAR2014	 TE Connectivity
		CHK	JASON YANG	07MAR2014	
		APVD		07MAR2014	NAME
DIMENSIONS:		TOLERANCES UNLESS OTHERWISE SPECIFIED:		PRODUCT SPEC	
mm	0 PLC ±0.25	1 PLC ±0.25		APPLICATION SPEC	
	2 PLC ±0.25	3 PLC ±0.25		SIZE	
	4 PLC ±0.100	ANGLES ±°		CAGE CODE	
MATERIAL	FINISH	WEIGHT		DRAWING NO	
-	-	-		A100779	
		Customer Drawing		SCALE 4:1 SHEET 3 OF 7 REV 2	

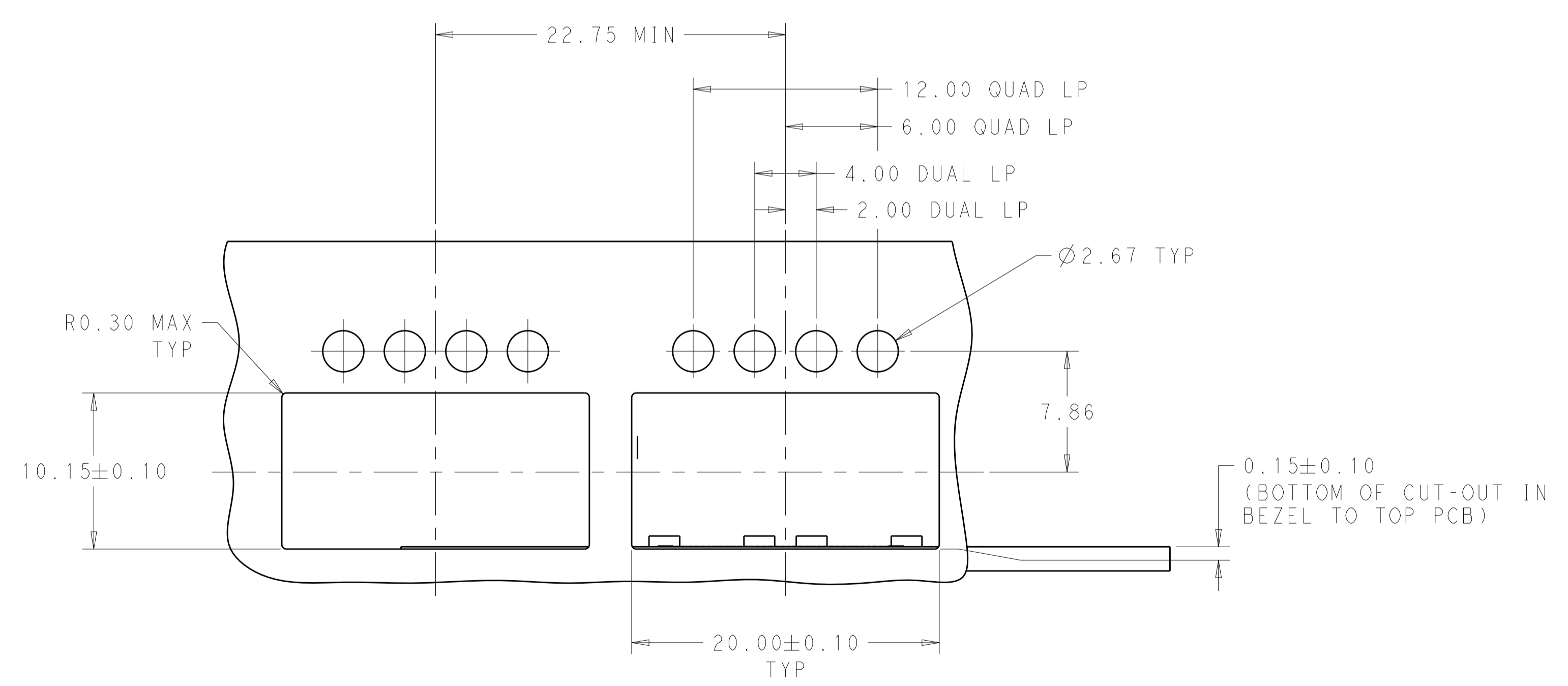
LOC		DIST		REVISIONS			
P	LTN	DESCRIPTION	DATE	OWN	APVD		
-	-	SEE SHEET 1	-	-	-	-	-



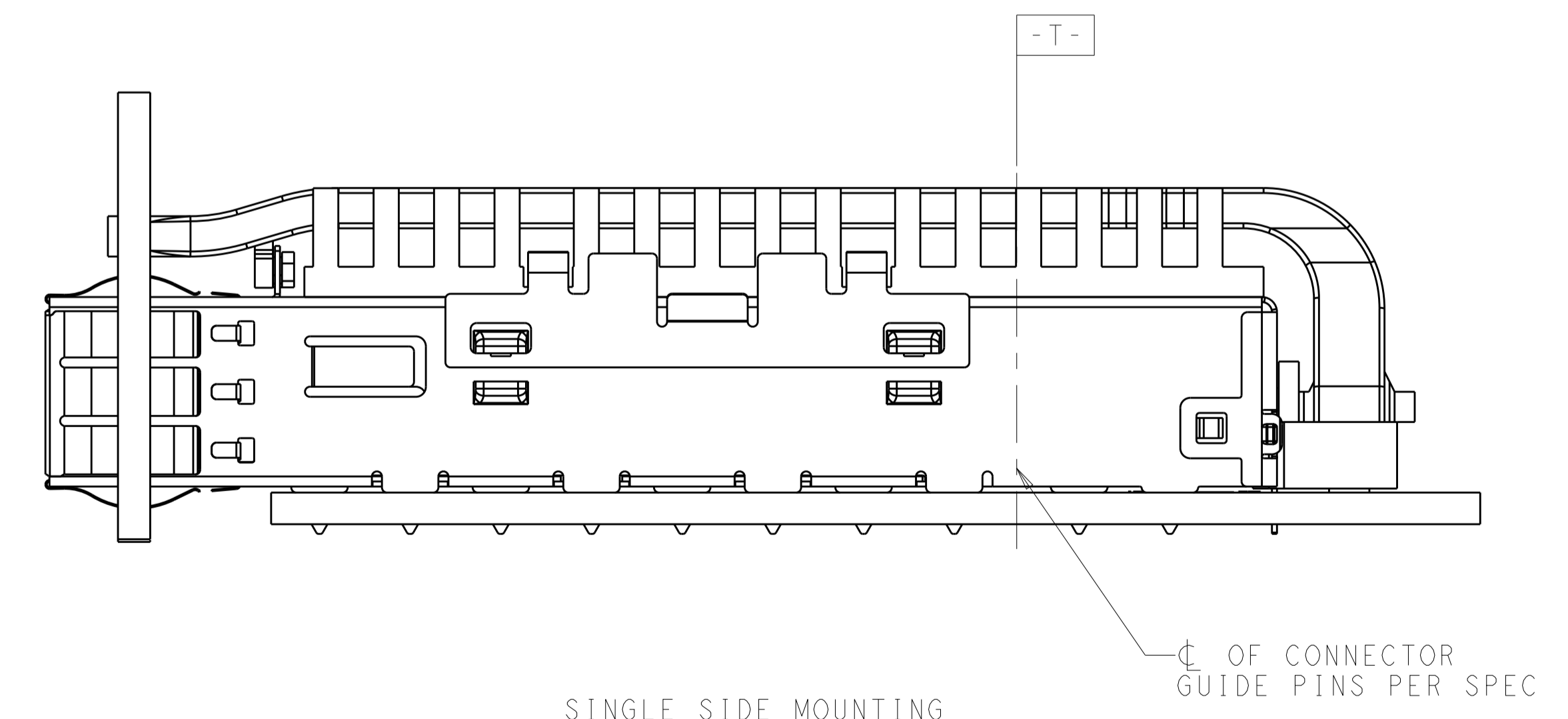
SINGLE LIGHT PIPE TYPE



SINGLE SIDE MOUNTING
SCALE 4:1



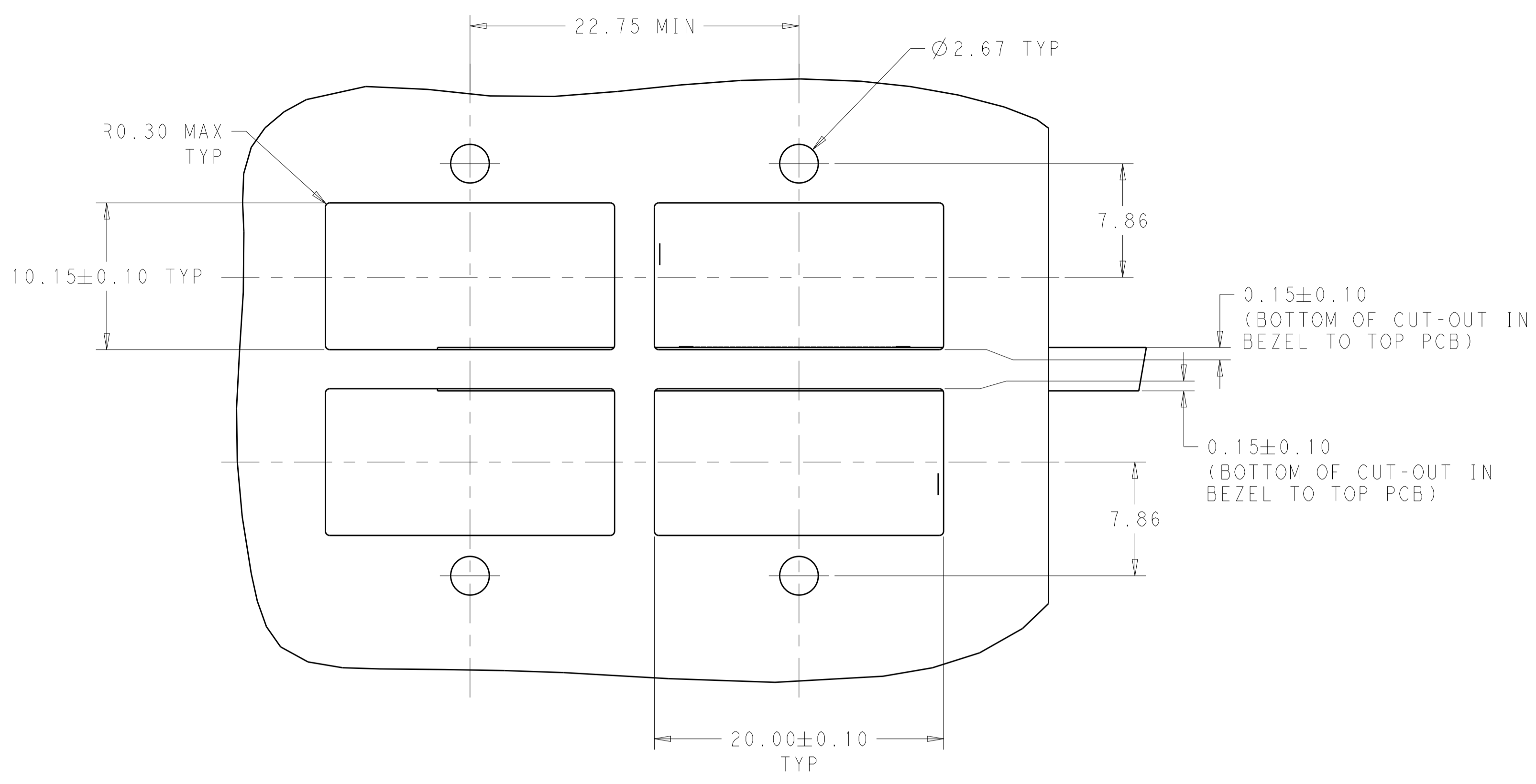
DUAL/QUAD LIGHT PIPE TYPE



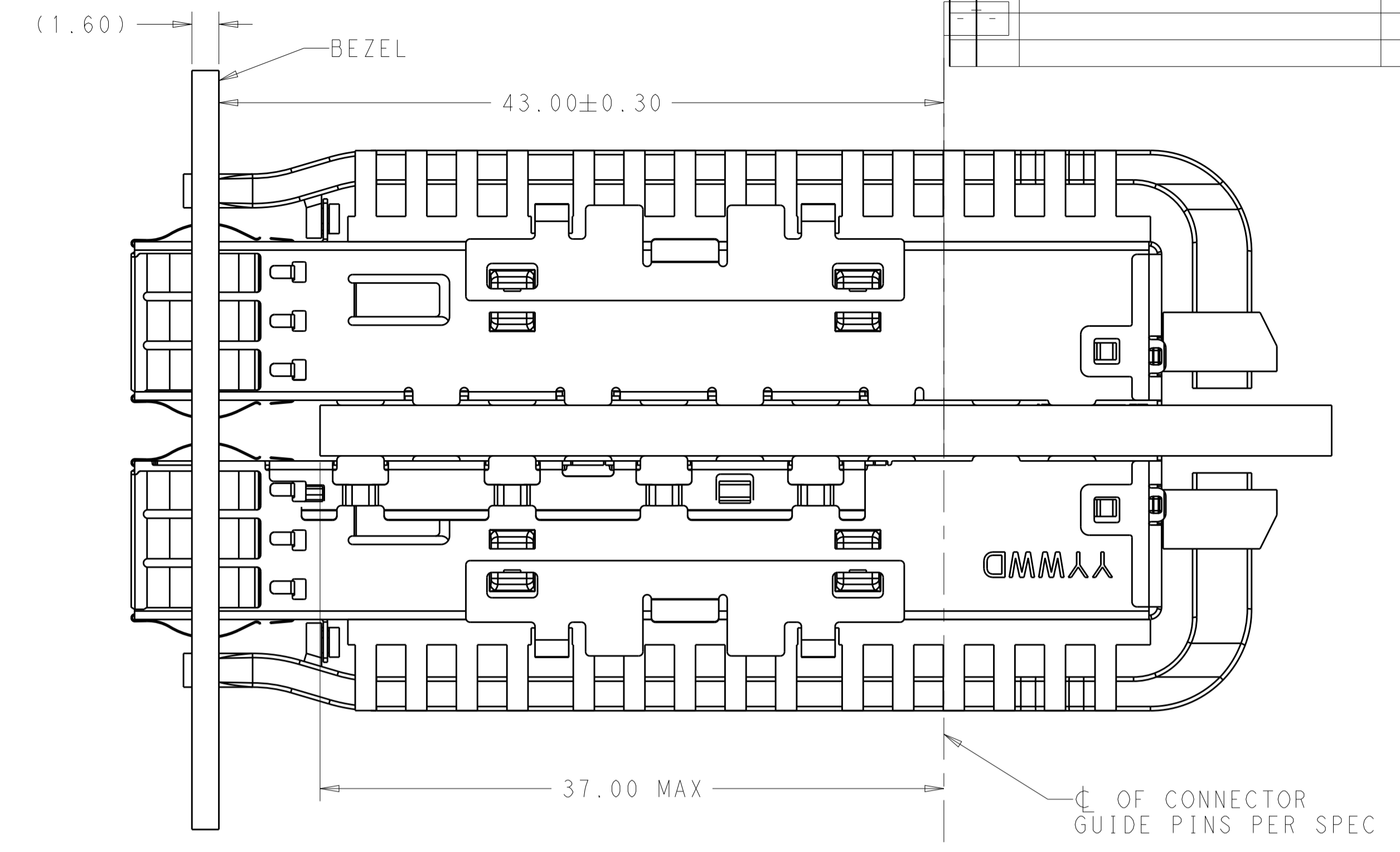
SINGLE SIDE MOUNTING
SCALE 4:1

THIS DRAWING IS A CONTROLLED DOCUMENT.		OWN: JASON YANG 07MAR2014	TE Connectivity
DIMENSIONS: mm		CHK: JASON YANG 07MAR2014	
TOLERANCES UNLESS OTHERWISE SPECIFIED:		APVD: JASON YANG 07MAR2014	NAME: CAGE ASSEMBLY, QSFP28, THRU BEZEL WITH EMI SPRING FINGER HEAT SINK, LIGHT PIPE
0 PLC	±0.25	PRODUCT SPEC	SIZE: CAGE CODE DRAWING NO
1 PLC	±0.25	APPLICATION SPEC	A100779C=2170705
2 PLC	±0.20	WEIGHT	RESTRICTED TO
3 PLC	±0.20	Customer Drawing	SCALE 4:1 SHEET 4 OF 7 REV 2
4 PLC	±0.100		
ANGLES	±°		
MATERIAL			
FINISH			

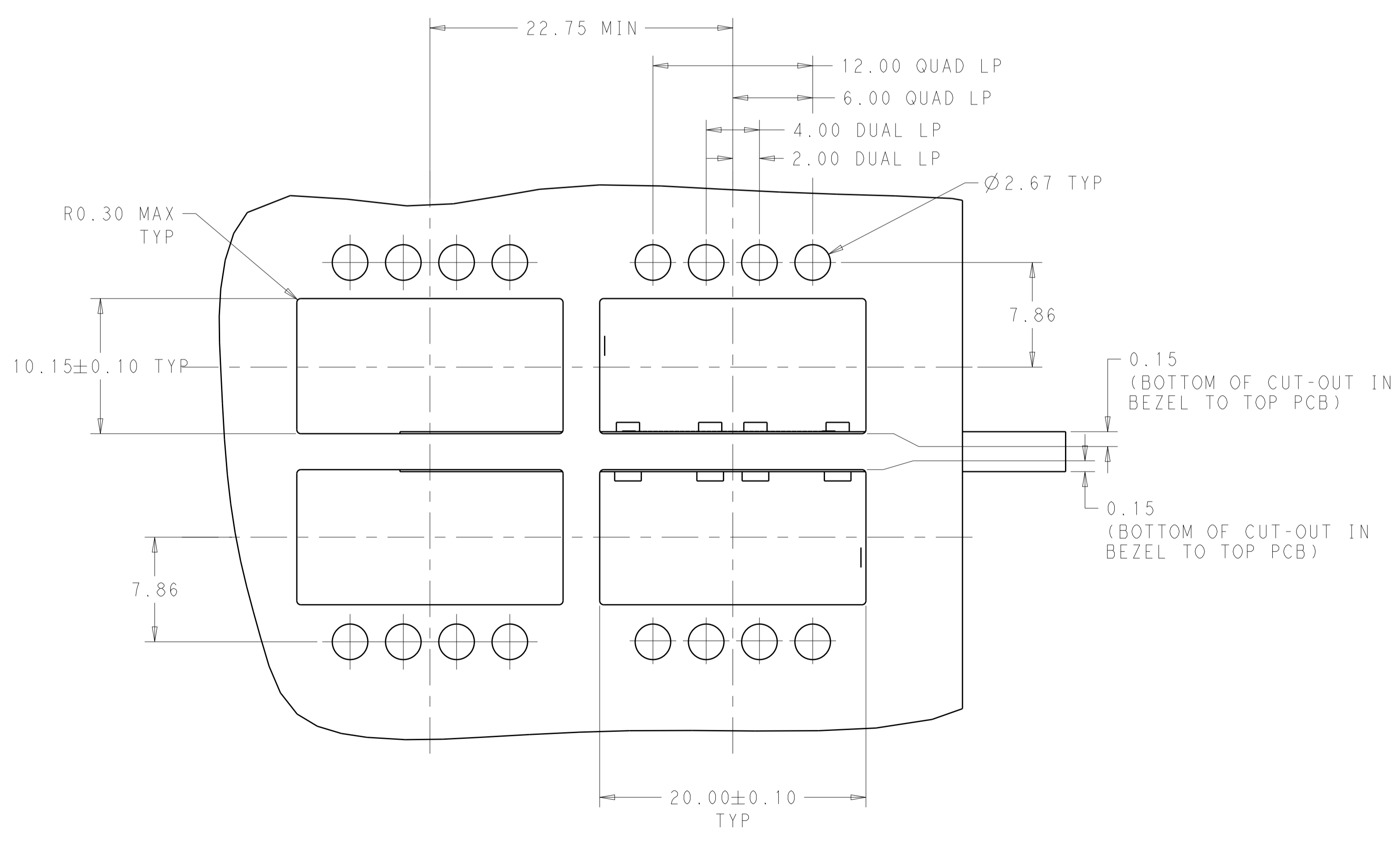
LOC	DIST	REV	DATE	BY	APPV
-	-	1	-	-	-
P. LTR		DESCRIPTION		DATE	DWN
-		SEE SHEET 1		-	-



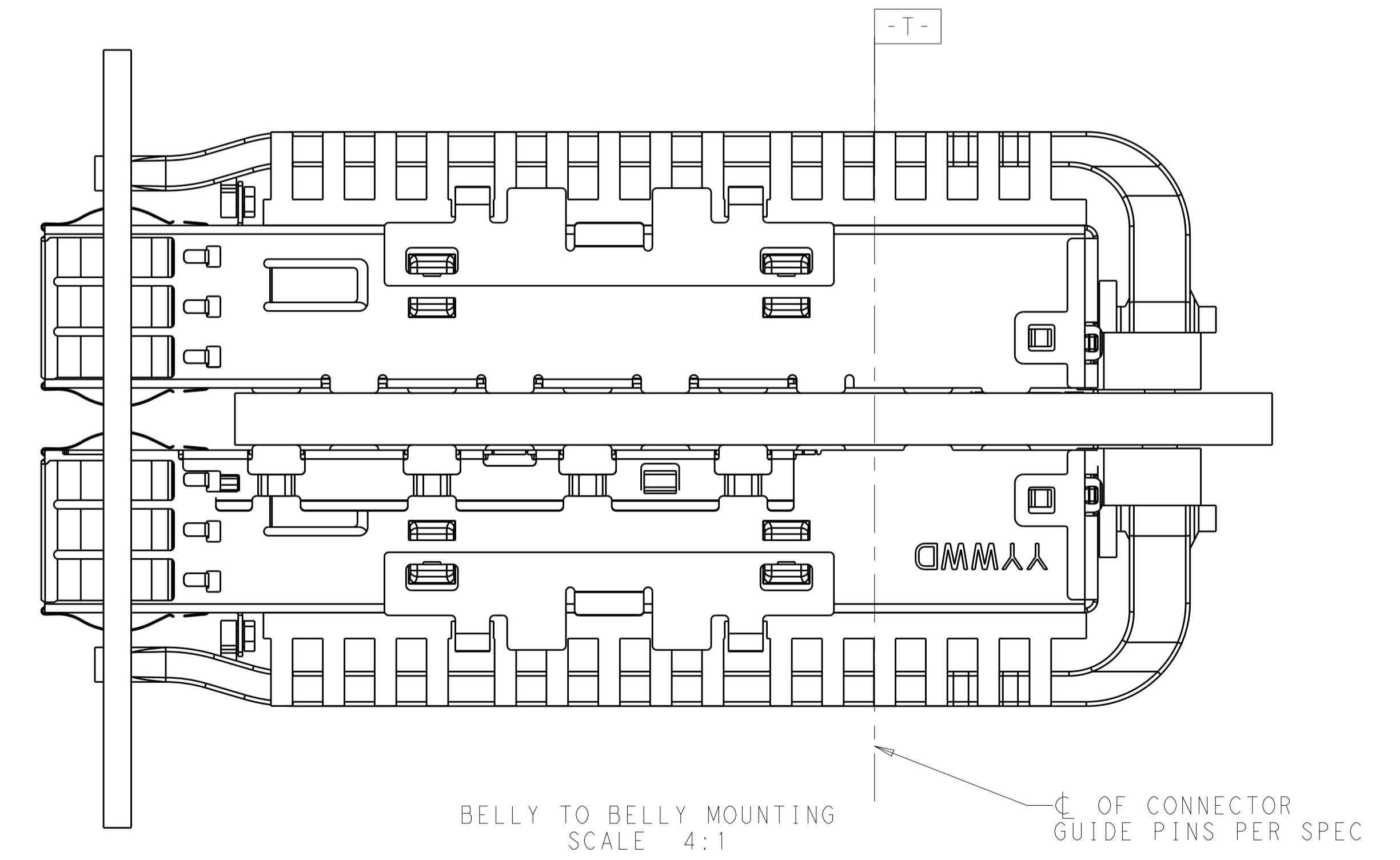
SINGLE LIGHT PIPE TYPE



BELLY TO BELLY MOUNTING
SCALE 4:1



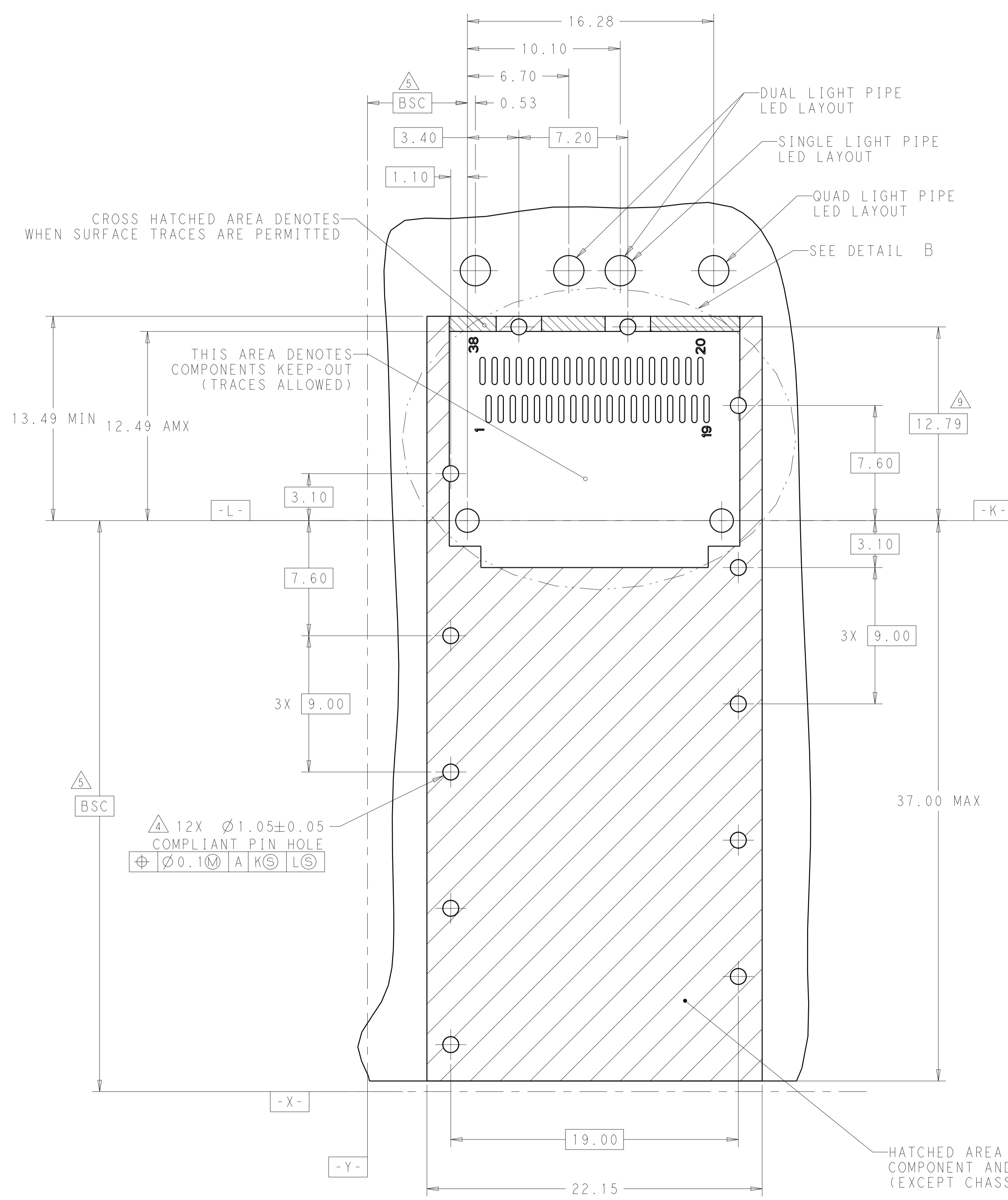
DUAL/QUAD LIGHT PIPE TYPE



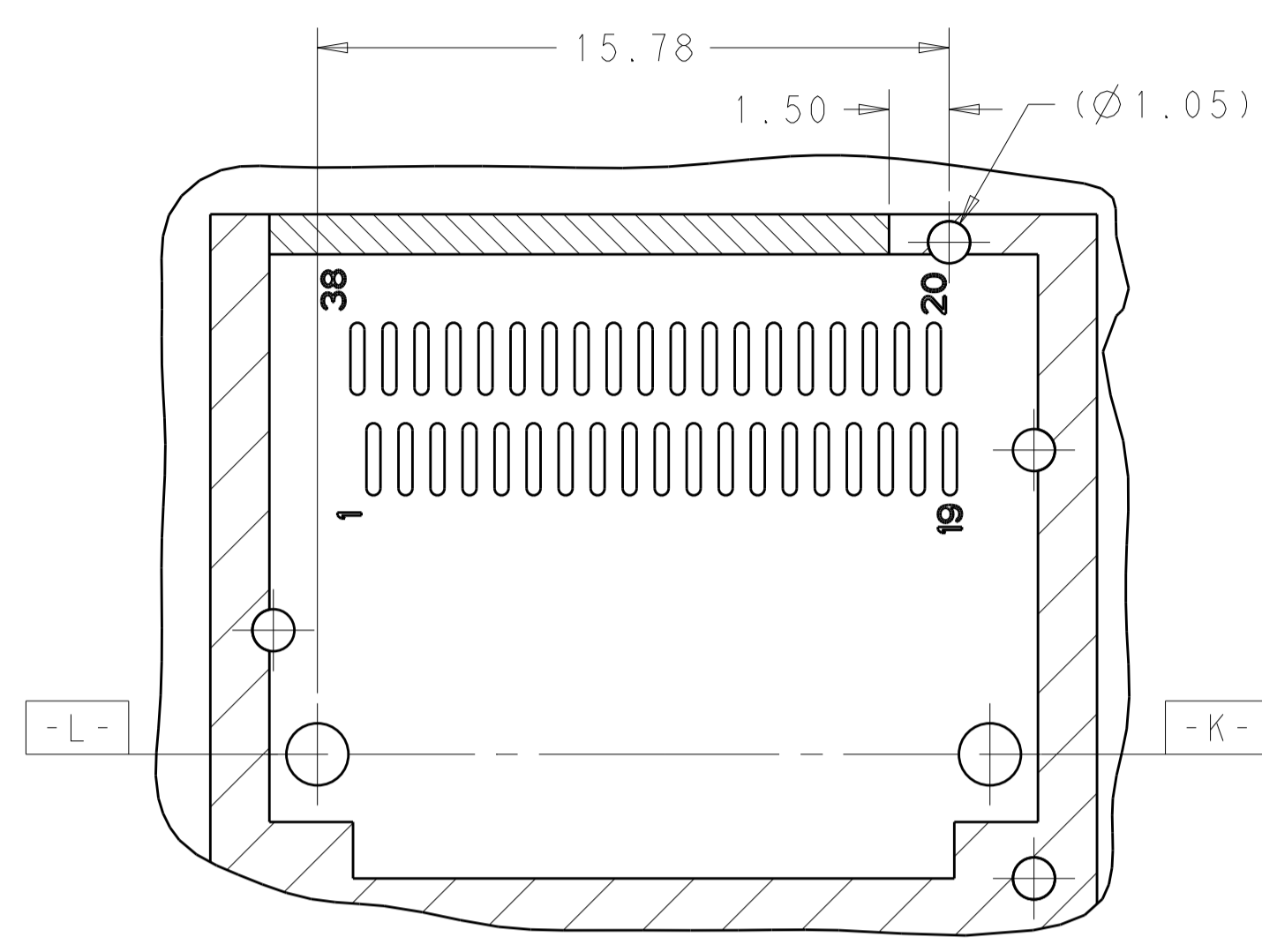
BELLY TO BELLY MOUNTING
SCALE 4:1

THIS DRAWING IS A CONTROLLED DOCUMENT.		DWN: JASON YANG 07MAR2014	TE Connectivity
DIMENSIONS: mm		CHK: JASON YANG 07MAR2014	
TOLERANCES UNLESS OTHERWISE SPECIFIED:		APVD: JASON YANG 07MAR2014	NAME: CAGE ASSEMBLY, QSFP28, THRU BEZEL WITH EMI SPRING FINGER HEAT SINK, LIGHT PIPE
0 PLC	±0.25	PRODUCT SPEC	SIZE: A100779C=2170705
1 PLC	±0.25	APPLICATION SPEC	RESTRICTED TO
2 PLC	±0.25	WEIGHT	SCALE: 4:1 SHEET 5 OF 7 REV 2
3 PLC	±0.25	Customer Drawing	
4 PLC	±0.100		
ANGLES	±°		
MATERIAL	FINISH		

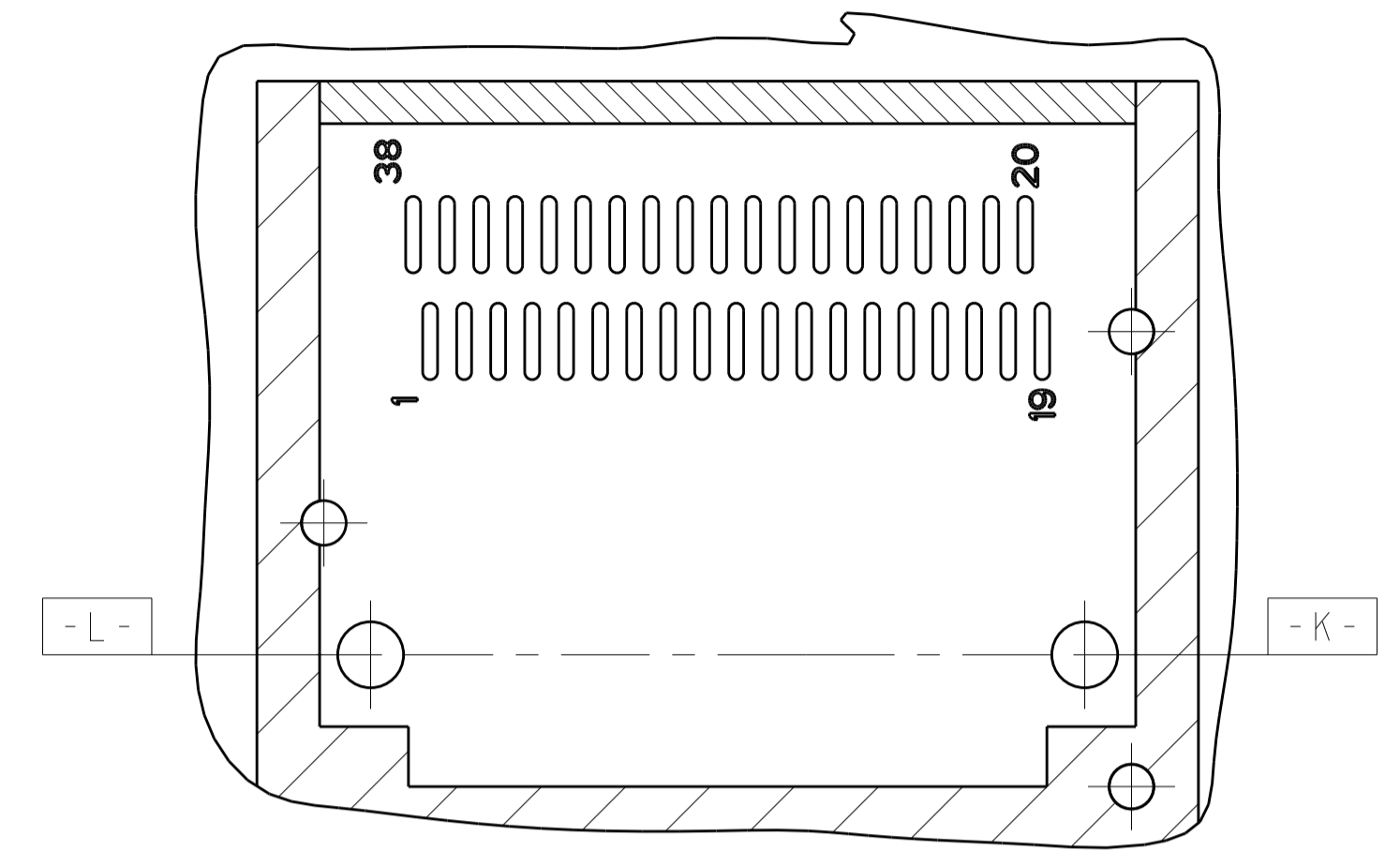
LOC		DIST		REVISIONS			
				REV	DESCRIPTION	DATE	BY
-	-	-	-	-	SEE SHEET 1	-	-



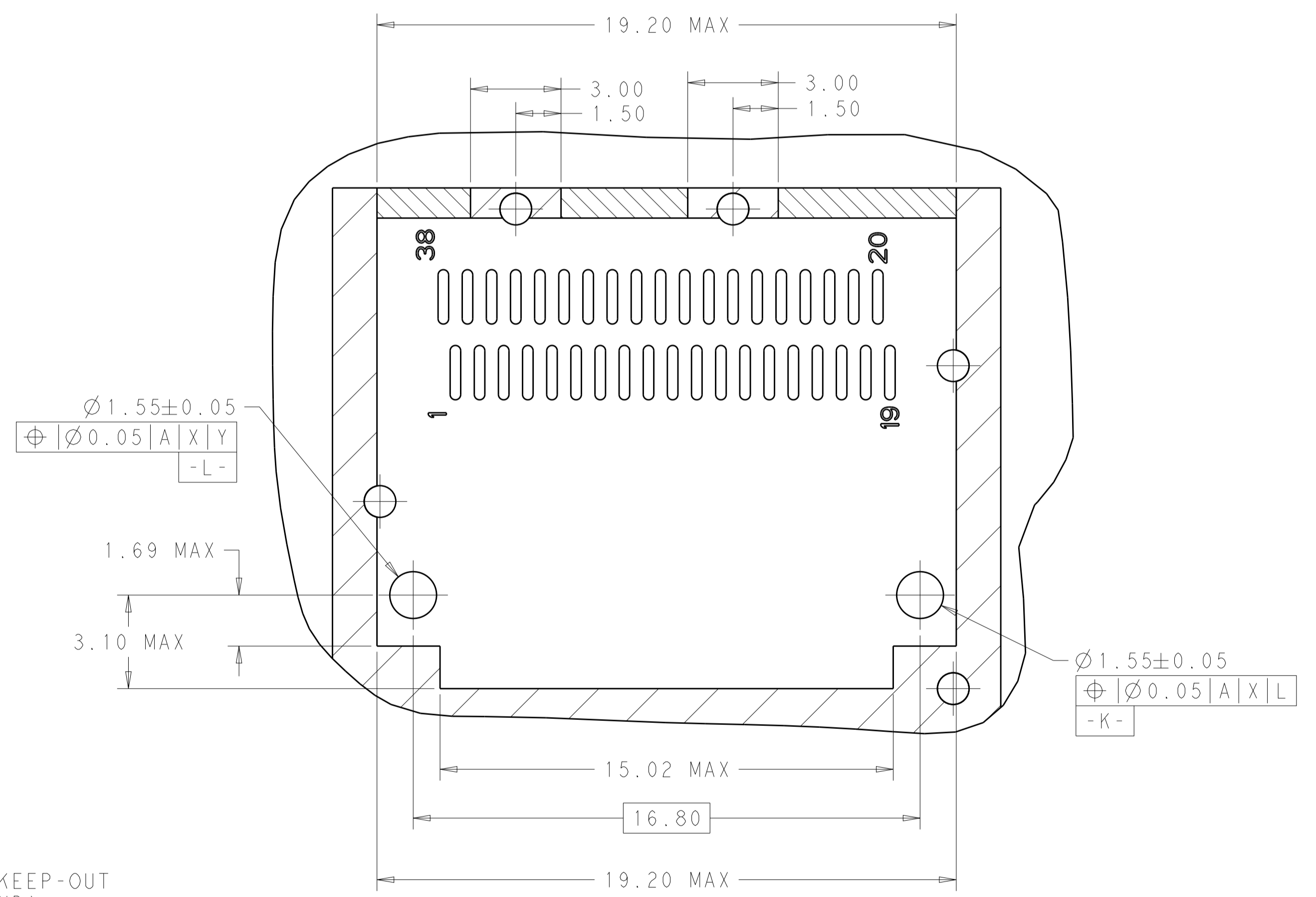
RECOMMENDED PCB LAYOUT
 SINGLE TYPE OF 2 REAR HOLES OF LEGS
 PCB TOLERANCE: ±0.05
 SCALE 6:1



RECOMMENDED PCB LAYOUT
 SINGLE TYPE OF 1 REAR HOLES OF LEGS
 PCB TOLERANCE: ±0.05
 SCALE 6:1



RECOMMENDED PCB LAYOUT
 SINGLE TYPE OF 0 REAR HOLES OF LEGS
 PCB TOLERANCE: ±0.05
 SCALE 6:1

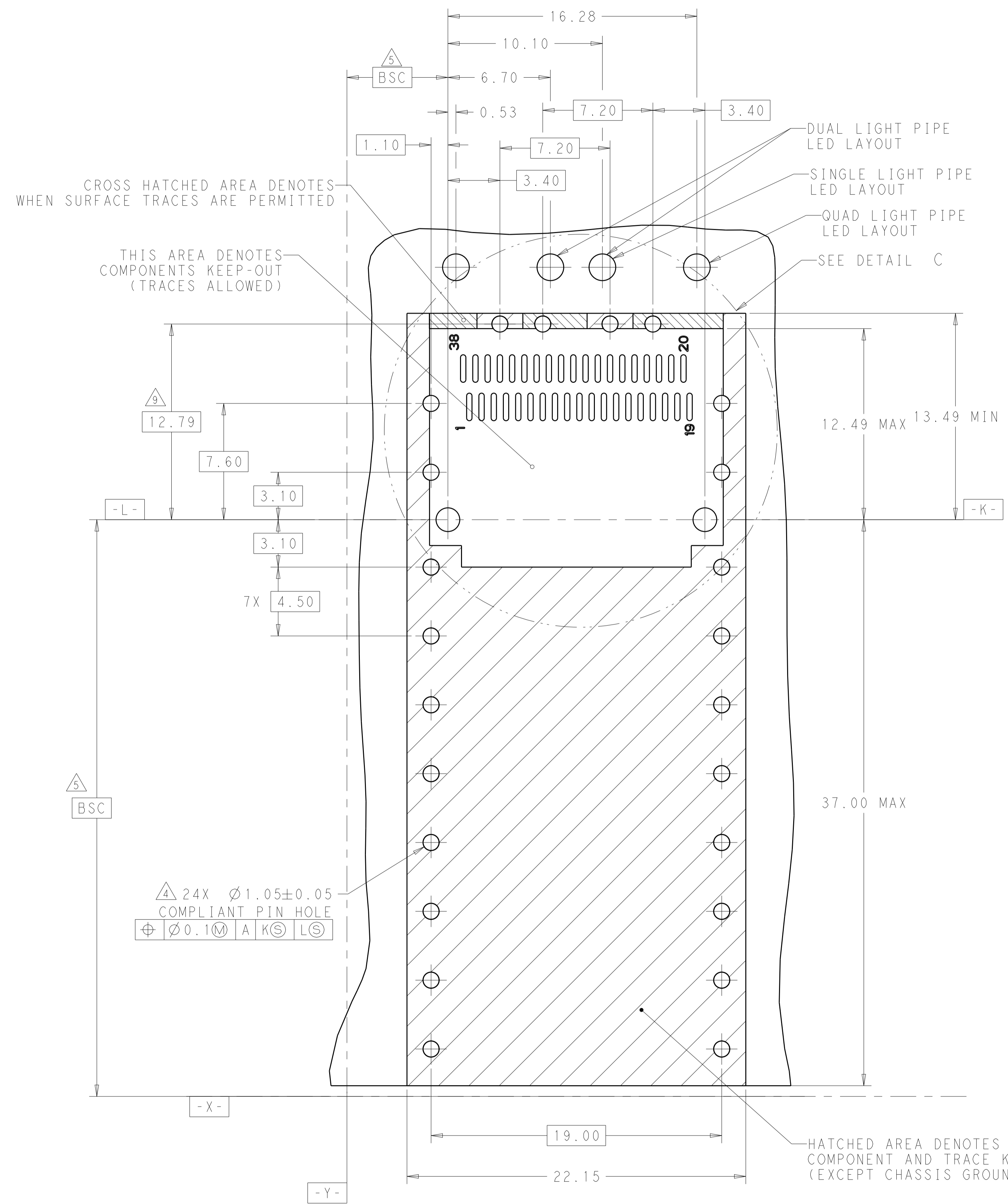


DETAIL B
 SCALE 8:1

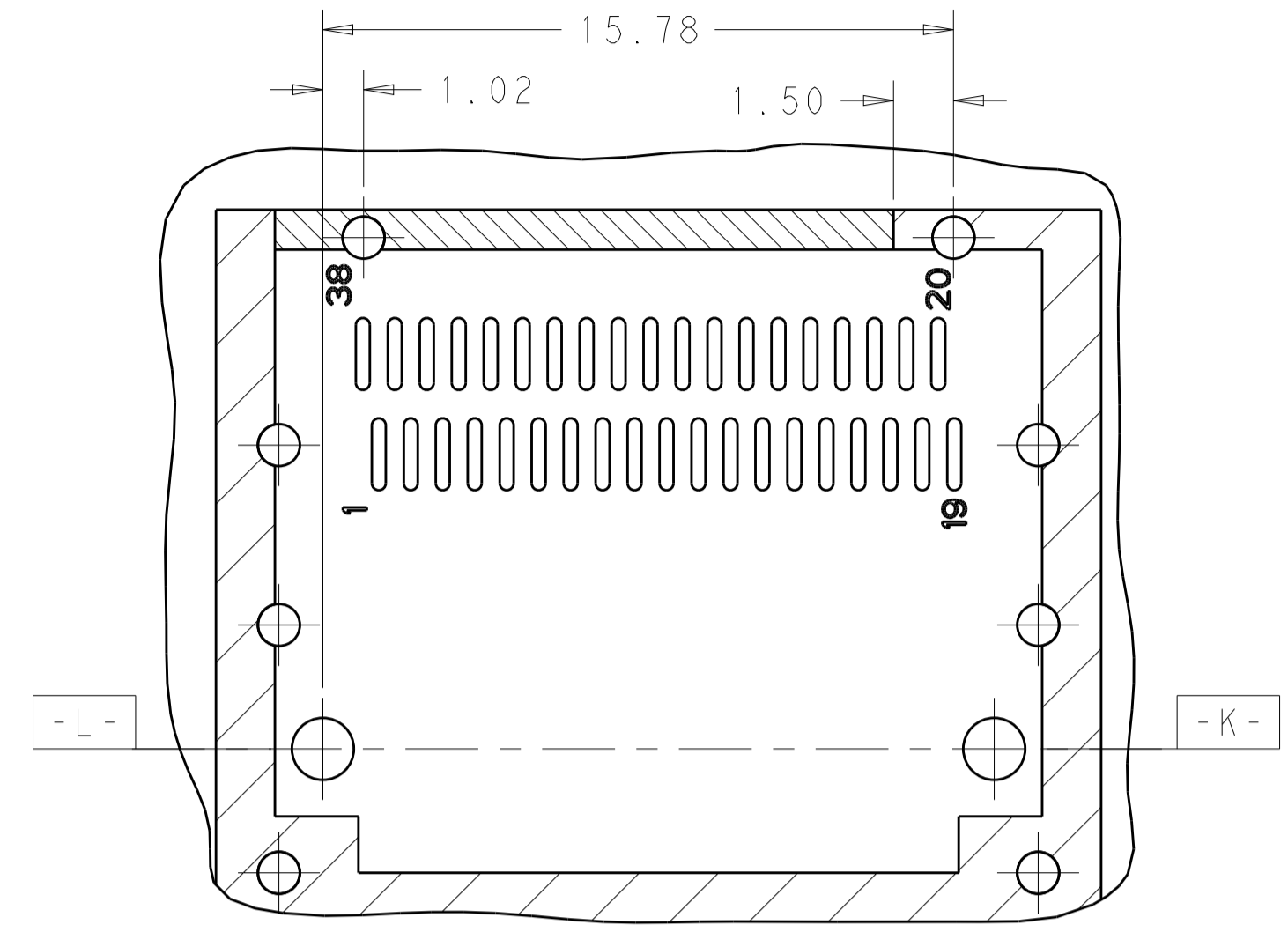
HATCHED AREA DENOTES
 COMPONENT AND TRACE KEEP-OUT
 (EXCEPT CHASSIS GROUND)

THIS DRAWING IS A CONTROLLED DOCUMENT.		OWN: JASON YANG 07MAR2014	TE Connectivity
DIMENSIONS: mm		CHK: JASON YANG 07MAR2014	
TOLERANCES UNLESS OTHERWISE SPECIFIED:		APVD: JASON YANG 07MAR2014	NAME: CAGE ASSEMBLY, QSFP28, THRU BEZEL WITH EMI SPRING FINGER HEAT SINK, LIGHT PIPE
0 PLC ±0.25	1 PLC ±0.25	PRODUCT SPEC	SIZE: A100779
2 PLC ±0.20	3 PLC ±0.100	APPLICATION SPEC	CAGE CODE: C=2170705
4 PLC ±	ANGLES ±	WEIGHT	RESTRICTED TO
MATERIAL	FINISH	Customer Drawing	SCALE 4:1 SHEET 6 OF 7 REV 2

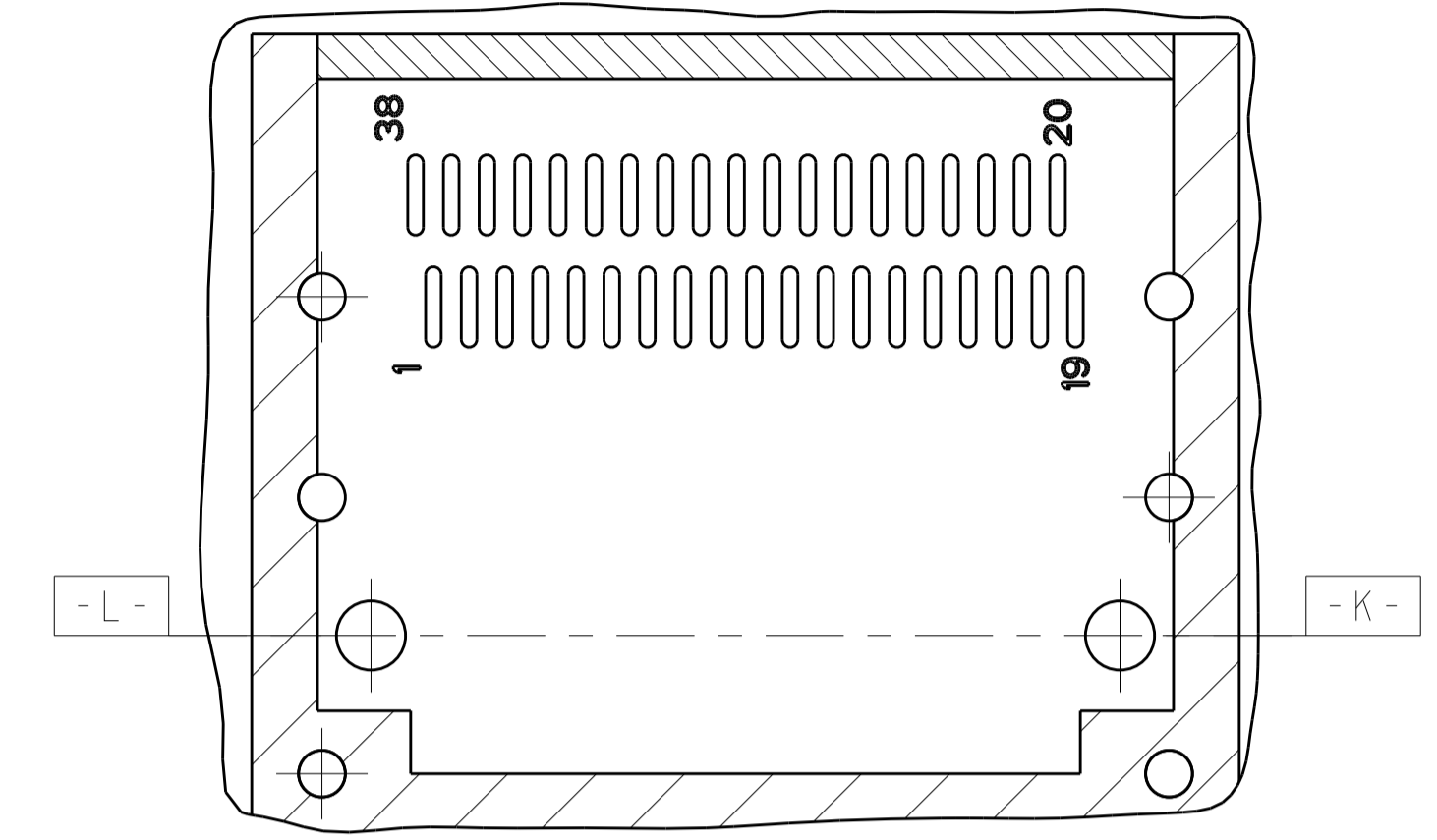
LOC	DIST	REV	DATE	BY	APPV
-	-	1	07MAR2014	JASON YANG	
-	-	2	07MAR2014	JASON YANG	



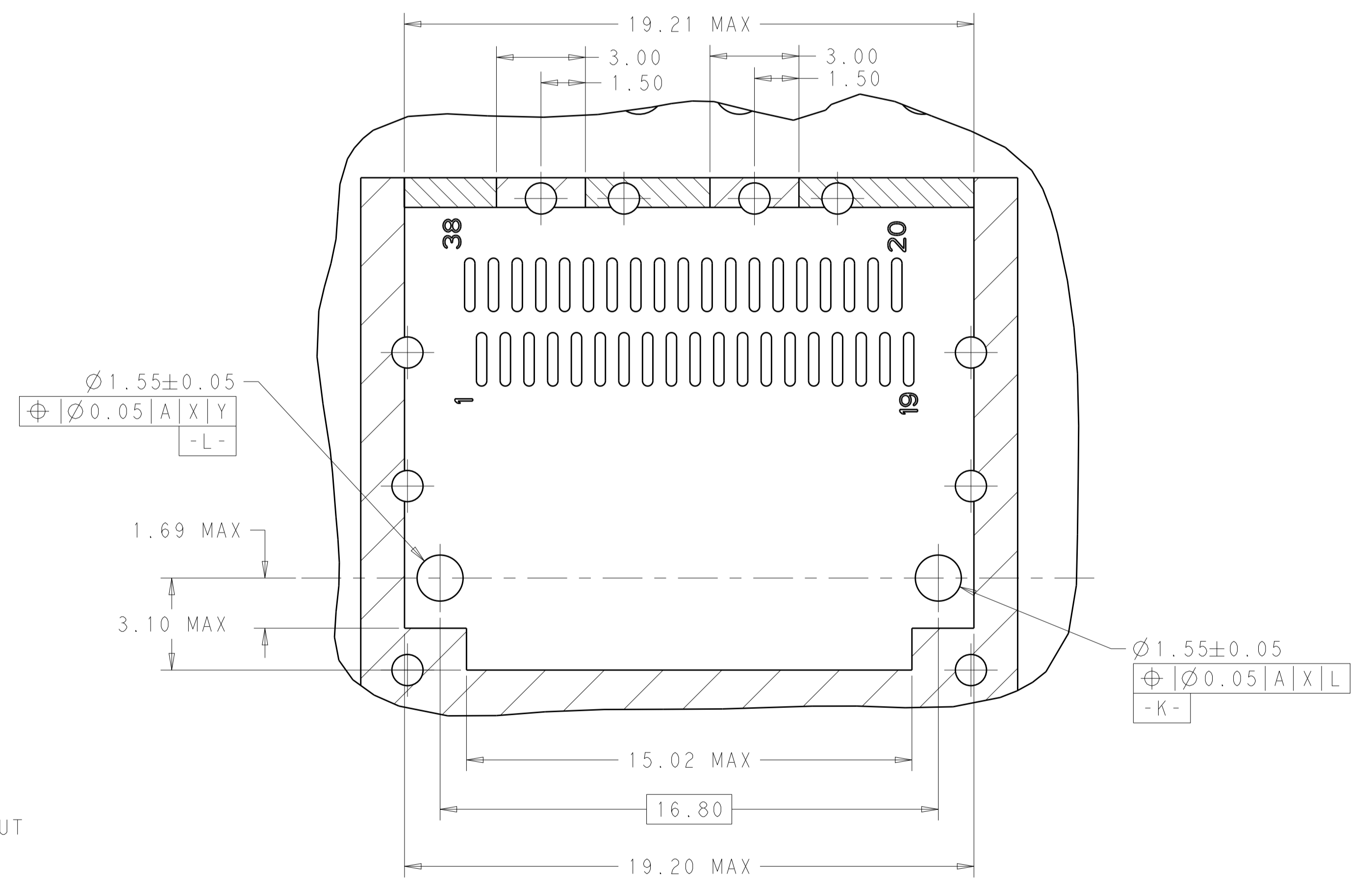
RECOMMENDED PCB LAYOUT
BELLY TO BELLY TYPE OF 2 REAR HOLES OF LEGS
PCB TOLERANCE: ±0.05
SCALE 6:1



RECOMMENDED PCB LAYOUT
BELLY TO BELLY TYPE OF 1 REAR HOLES OF LEGS
PCB TOLERANCE: ±0.05
SCALE 6:1



RECOMMENDED PCB LAYOUT
BELLY TO BELLY TYPE OF 0 REAR HOLES OF LEGS
PCB TOLERANCE: ±0.05
SCALE 6:1



DETAIL C
SCALE 8:1

THIS DRAWING IS A CONTROLLED DOCUMENT.		DMN	JASON YANG	07MAR2014
DIMENSIONS:		CHK	JASON YANG	07MAR2014
mm	0 PLC ±0.25	APVD	JASON YANG	07MAR2014
	1 PLC ±0.25	PRODUCT SPEC		
	2 PLC ±0.25	APPLICATION SPEC		
	3 PLC ±0.25	WEIGHT		
	4 PLC ±0.100	Customer Drawing		
	ANGLES ±°	FINISH		
MATERIAL				

NAME	CAGE ASSEMBLY, QSFP28, THRU BEZEL WITH EMI SPRING FINGER HEAT SINK, LIGHT PIPE
SIZE	A100779
CAGE CODE	C=2170705
DRAWING NO	
RESTRICTED TO	
SCALE	4:1
SHEET	7 of 7
REV	2