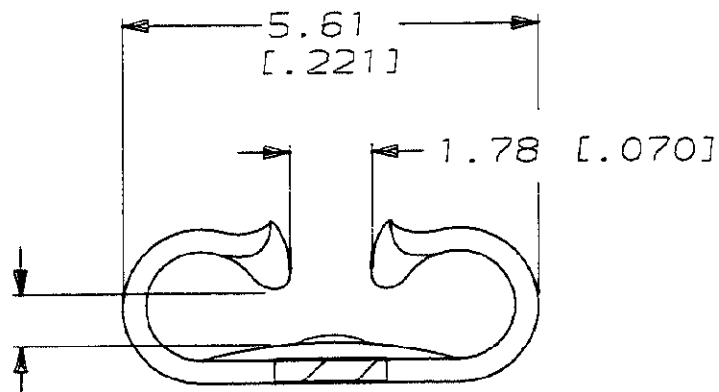
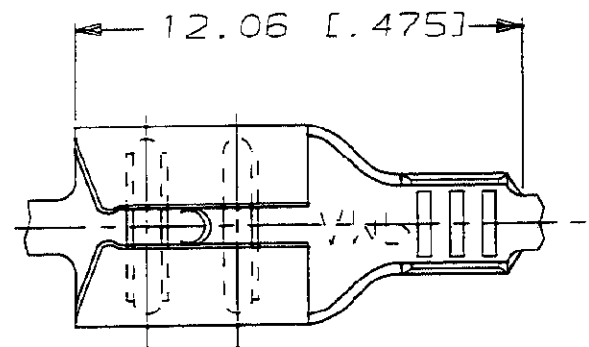


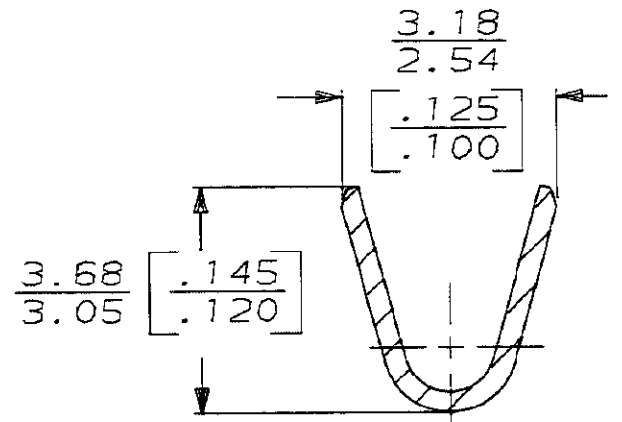
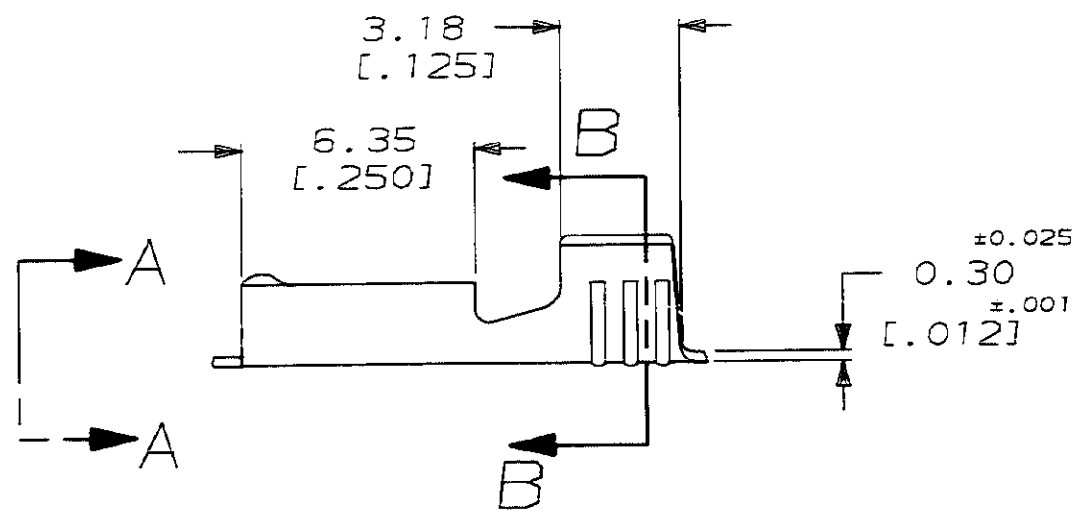
THIS DRAWING IS UNPUBLISHED. RELEASED FOR PUBLICATION
 © COPYRIGHT 19 BY AMP INCORPORATED. ALL INTERNATIONAL RIGHTS RESERVED.

LOC	DIST	P	F	ZONE	LTR	DESCRIPTION	DATE	APPD
AF	50				D	REDRAWN AF-7554	8/27/91	JR/PF



- 1 CONTINUOUS STRIP ON REELS
- 2 TIN PLATE 0.002032 [.000080] MIN THK.

VIEW A-A
 SCALE 10:1



SECTION B-B
 SCALE 10:1

METRIC

TIN Δ	0.5-1.3mm ² [20-16] AWG	0.51 [.020]	42799-2 42799-1
FINISH	WIRE SIZE	MATING TAB THK ±0.025 [.001]	PART NO
DO NOT SCALE PRINT. UNLESS SPECIFIED DIMENSIONS IN mm [INCHES] TOLERANCES ON: 2 PLC DEC ± 0.38 [.015] 3 PLC DEC ± - ANGLES ± -	DR 8/27/91 JR RUTH CHK 8/27/91 P FORTNEY APPD 8/27/91 C MEYERS APPD 8/27/91 D REINER PRODUCT SPEC -	AMP AMP Incorporated Harrisburg, PA 17105-3608 NAME RECEPTACLE, FASTON, TM 4.75 [.187] SERIES	
MATERIAL #4H BRASS	FINISH SEE TABLE	SIZE B	CAGE CODE 00779
		DRAWING NO 42799	
	WEIGHT -	SCALE 5:1	SHEET 1 OF 1